

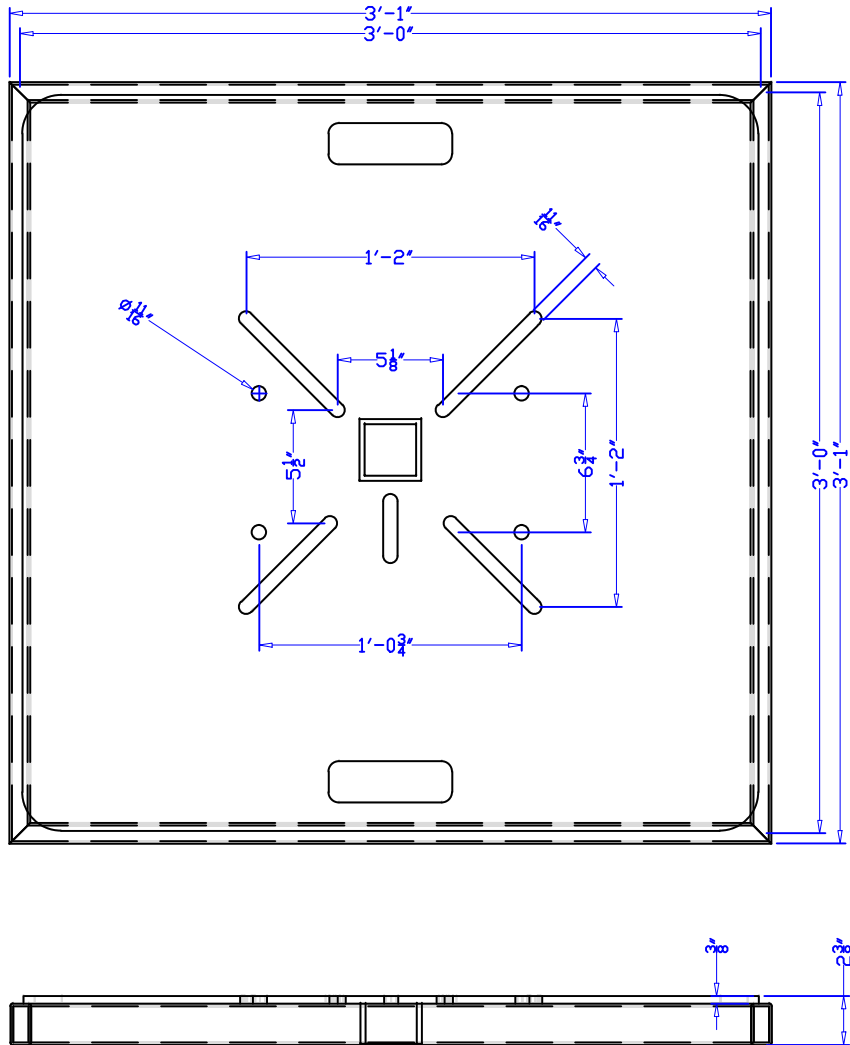
Material:

3/8" Thk Alum. Plate

1.0"x2.0" Rec. Tube - Perimeter

Includes standard 5/8-11 G8 Truss Bolt Sets

Approx: 56 lbs



Bolt Plate Truss - Square

- Xlite 10"
- 12" Utility
- 12" x 18" Utility
- 16" Utility
- 20.5" Utility

Bolt Plate Truss - Triangle

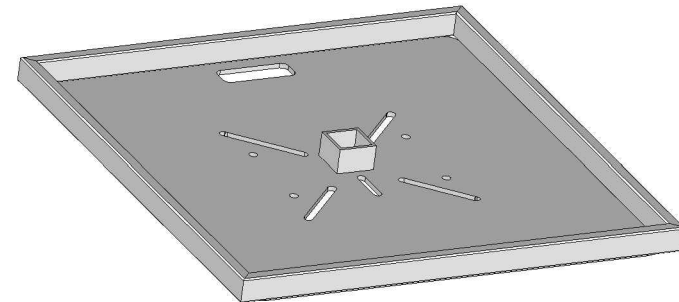
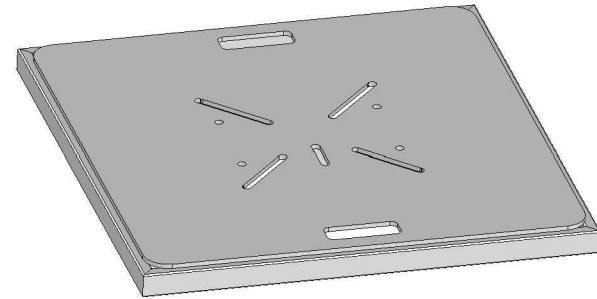
- Xlite 10"
- 12" Utility
- 16" Utility
- 20.5" Utility (Note: Available option, not included on standard base.)

Forkend Truss - Square (With Bolt On Forkend Adapters)

- 12" Utility
- 16" Utility
- 20.5" Utility (Note: Available option, not included on standard base.)

Forkend Truss - Triangle (With Bolt On Forkend Adapters)

- 12" Utility
- 16" Utility (Note: Available option, not included on standard base.)
- 20.5" Utility (Note: Available option, not included on standard base.)



Xtreme Structures & Fabrication
300 CMH Road
Sulphur Springs, TX 75483
(903) 438-1100 Tel
(903) 438-1102 Fax

Notice of Disclaimer:
Xtreme Structures and Fabrication (XS&F) provides structural design and sales of fabricated items. All items are fabricated by XS&F in Sulphur Springs, TX. For structures designated as part of XS&F's "STANDARD" line, all load tables and other engineering data may be provided by XS&F. Any products designated as "CUSTOM" are NOT provided with load tables and other engineering data. Arrangements can be made to secure such data, upon request, from an independent structural consulting firm. It is up to each client to determine the safe use of structures purchased from XS&F. By accepting this document, you agree to indemnify and hold harmless XS&F from any losses, damages, or other expenses resulting from the negligent use of the structure(s).

Copyright Notice:
IF this drawing is being submitted as a bid, the ideas and concepts presented herein have not been purchased from XS&F and therefore remain the intellectual property of XS&F. This drawing is to be viewed by the intended recipient(s) only, and any reproduction or distribution of this document is strictly prohibited without the written consent of XS&F.

Job#: _____
Client: _____
Project: _____
Date: 3-25-15
Scale: N/A

Drawing: X-36UBP
X-36UBP-Alum-Ver 2015
Approved By: _____

Drawn By: XX
Sheet/page: 1 of 1