



Uphoria™ PRO HIGH OUTPUT LED PAR38

Replacement Lamp for High Wattage Halogens Used in High Ceiling

Ushio America's Uphoria™ PRO High Output LED PAR38 lamps operate on 120V and are 27W equivalent to 250 watt halogen lamps. The unique optical design achieves outstanding Center Beam Candle Power (CBCP). Incorporating high collection efficiency, these lamps deliver 9550 candela and are ideal for high ceiling applications. These dimmable, 3000 lumen lamps are UL rated for Enclosed Fixtures and Wet Locations.

The Uphoria PRO High Output LED PAR38 lamps are available in a warm white 3000K color temperature with a Narrow Flood (25°) beam angle.

Ushio America is proud to stand behind these 25,000 hour rated life lamps with a 3 year limited warranty.



Dimmable



Wet Location Rated



Enclosed Rated



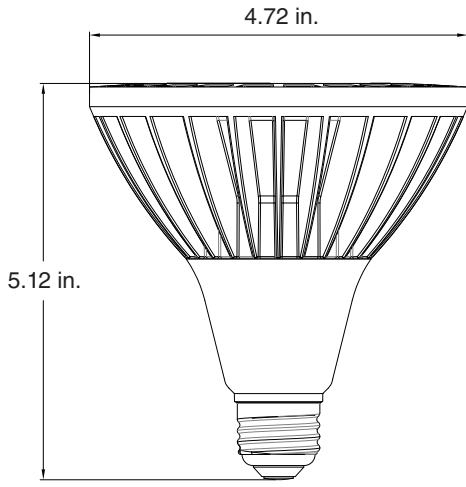
FEATURES & BENEFITS

- LED Replacement for 250W Halogen Lamps
- 3000 Lumens
- 9550 Candela
- Smooth, Uniform Dimming Down to 10%
- Suitable for Use in Totally Enclosed Fixtures
- UL Wet Location Rated
- 25,000 Hours Rated Life
- 3-Year Limited Warranty

APPLICATIONS

- Houses of Worship
- Cathedrals
- Banquet Halls
- Outdoor Lighting
- Other High Ceiling Areas

SPECIFICATIONS

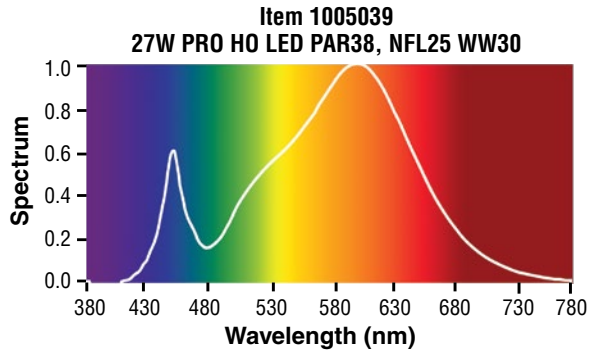


**PAR38
E26 Base**

Item 1005039

ø(ft)	H(ft)	E(fc)
1.5	3.3	876.9
2.9	6.6	219.2
4.4	9.9	97.4
5.9	13.2	54.8
7.3	16.5	35.1
25°		27W

27W PRO HO LED PAR38, NFL25 WW30



Case Quantity: 12

Watts (W)	Ordering Code	Lamp Description	Volts (V)	Color Temp (K)	Beam Angle	Beam Spread	Lumens* (lm)	CBCP* (cd)	CRI	Rated** (h)
27	1005039	UPHORIA PRO HO LED PAR38, NFL25, WW30	120-277	3000	25°	Narrow Flood	3000	9550	80+	25,000

* Photometric data is based on LM-79 tests.

** Average life based on 70% lumen maintenance. LM-80 data available.

Electrical Specifications:

Driver: High Efficiency

Power Factor: > 0.90

Dimming: See www.ushio.com for dimmer compatibility options.

⚠ CALIFORNIA PROPOSITION 65 WARNING: These products can expose you to chemicals including Phthalates, which are known to the State of California to cause cancer and birth defects or other reproductive harm. For more information, go to www.P65Warnings.ca.gov

CAUTION:

The lamp may not be compatible with all dimmers. Check www.ushio.com to find up to date dimmer compatibility options. Use only 120V-277V 60 Hz circuits. Do not open. No user serviceable parts inside. Reliable operating temperature is -4°F to 113°F. The device is not intended for use with emergency exit fixtures, emergency exit lights, photo controls, or electric timers. This device complies with part 15 of the FCC Rules. Operation is subject to the following two conditions: (1) this device may not cause harmful interference, and (2) this device must accept any interference received, including interference that may cause undesired operation.