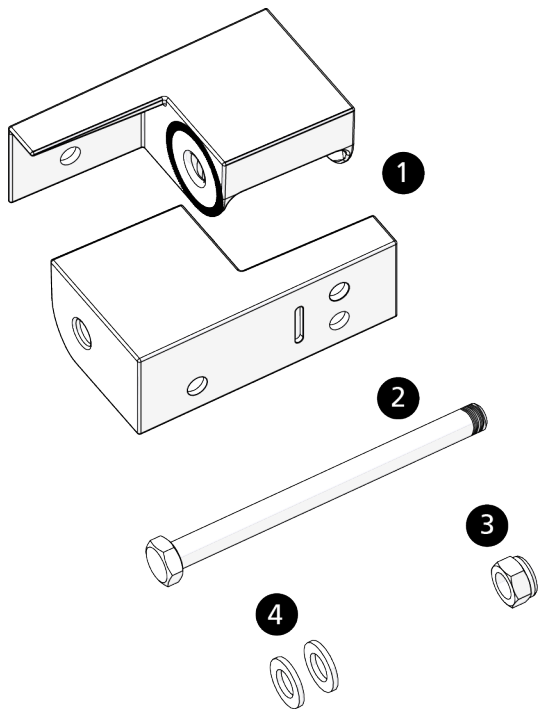


ETC Installation Guide

High End Systems Talen Array Hinge Kit

This guide provides installation instructions for the Talen Array Hinge accessory. Array hinges let you hang several Talen fixtures together in a combined configuration. Review the *Talen User Manual* prior to installing the array hinges to familiarize yourself with the Talen fixture. ETC product documentation is available for free download from the ETC website: etcconnect.com.

The Talen Array Hinge Kit includes:



Item #	Description	Quantity
1	Array Hinge	2
2	Hinge Bolt	1
3	Nyloc Nut	1
4	Flat Washer	2

Visually inspect the shipping carton for damage that may have occurred during transit. If the shipping carton shows signs of damage, document the damage fully before unpacking the contents. Documentation of any damage is helpful when reporting a claim with the carrier.

Array Hinge Accessories

ETC offers accessories for use with the array hinges.

- The Talen Hinge Cable Kit (ETC part number 2592K1002) includes a power and data cable for fixture-to-fixture connection. Cable length: 74.0 cm (29-1/8 in).
- The Talen Rigging Plate (2592K1003) offers additional rigging options for 30.5x30.5 cm (12x12 in) box trusses. (See [page 10](#) for details.)

Contact your ETC dealer or ETC Technical Services for ordering information for these accessories.



Corporate Headquarters ■ Middleton, WI, USA | +1 608 831 4116
Global Offices ■ London, UK | Rome, IT | Holzkirchen, DE | Paris, FR | Hong Kong | Dubai, UAE | Singapore
New York, NY | Orlando, FL | Los Angeles, CA | Austin, TX

Web etcconnect.com | Support support.etcconnect.com | Contact etcconnect.com/contactETC

© 2022 Electronic Theatre Controls, Inc. | Trademark and patent info: etcconnect.com/ip

Product information and specifications subject to change. ETC intends this document to be provided in its entirety.
2592M2100 Rev A Released 2022-04

ETC Installation Guide

Talen Array Hinge Kit

Installation Guidelines

Read the following warnings before installing a Talen fixture using the array hinges.



WARNING:

- **Overhead rigging must be performed by qualified personnel. ETC and its partners are not liable for injury or product failure due to incorrect installations.**
 - **All safety and technical aspects of fixture installation must be approved by qualified personnel before operation.**
 - **The installation must be regularly inspected by qualified personnel.**
 - **The installation location must support a minimum point load of six (6) times the combined weight of the fixtures and all mounting hardware and cables required for installation. A single Talen fixture weights 6 kg (13.2 lb).**
 - **The installation must always be secured with a secondary safety attachment. The safety cable supplied with the Talen fixture is rated to secure a single fixture. You must use a stronger safety cable to secure multiple Talen fixtures that are rigged together using the array hinges. Consult a qualified rigging professional to select an appropriate safety cable.**
 - **The safety cable attachment must be rated by a safety factor of six (6).**
 - **Always use a locking carabiner to attach the safety cable to the fixture.**
 - **Do not connect more than six (6) fixtures together in one array.**
 - **When connecting more than three (3) fixtures together, secure the array with a secondary support or attach both ends of the array directly to the installation location to stabilize the configuration.**
 - **Because of the forces generated by a Talen fixture while it is moving, you must only use the mounting hardware that is supplied with the fixture (nyloc nuts, split locking washers, etc.). Use of other hardware is not approved and could create unsafe operating situations.**
 - **A supportive and stable surface must be used when the fixtures are placed on the feet.**
 - **Never stand directly below the installed fixture when mounting, removing, or servicing the fixture.**
-

ETC Installation Guide

Talen Array Hinge Kit



AVERTISSEMENT :

- Le gréement aérien doit être effectué par du personnel qualifié. ETC et ses partenaires ne sont pas responsables des blessures ou des pannes du produit dues à des installations incorrectes.
 - Tous les aspects techniques et de sécurité de l'installation du projecteur doivent être approuvés par un personnel qualifié avant qu'il ne soit utilisé.
 - L'installation doit être régulièrement inspectée par du personnel qualifié.
 - L'emplacement d'installation doit supporter une charge ponctuelle minimale de six (6) fois le poids combiné des luminaires et de tout le matériel de montage et des câbles requis pour l'installation. Un seul luminaire Talen pèse 6 kg (13,2 lb).
 - L'installation doit toujours être sécurisée avec une fixation de sécurité secondaire. Le câble de sécurité fourni avec le luminaire Talen est conçu pour sécuriser un seul luminaire. Lorsque vous connectez plusieurs luminaires Talen les uns aux autres avec les charnières conçues pour ce montage en groupe, vous devez utiliser un câble de sécurité plus solide. Consultez un professionnel qualifié en gréage de spectacle pour sélectionner un câble de sécurité approprié.
 - La fixation du câble de sécurité doit être classée avec un facteur de sécurité de six (6).
 - Utilisez toujours un mousqueton à verrouillage pour attacher le câble de sécurité au luminaire.
 - Ne connectez pas plus de six (6) appareils ensemble dans un seul réseau.
 - Lors de la connexion de plus de trois (3) luminaires ensemble, fixez le groupe de luminaires avec un support secondaire ou attachez les deux extrémités de l'ensemble directement à l'emplacement d'installation pour stabiliser la configuration.
 - En raison des forces générées par un luminaire Talen lors de son déplacement, vous ne devez utiliser que le matériel de montage fourni avec le luminaire (écrous nyloc, rondelles de blocage fendues, etc.). L'utilisation d'autres matériels n'est pas approuvée et pourrait créer des situations de fonctionnement dangereuses.
 - Une surface d'appui stable doit être utilisée quand les projecteurs sont placés sur pieds.
 - Ne vous placez jamais directement sous le projecteur lors du montage, du démontage ou de son entretien.
-

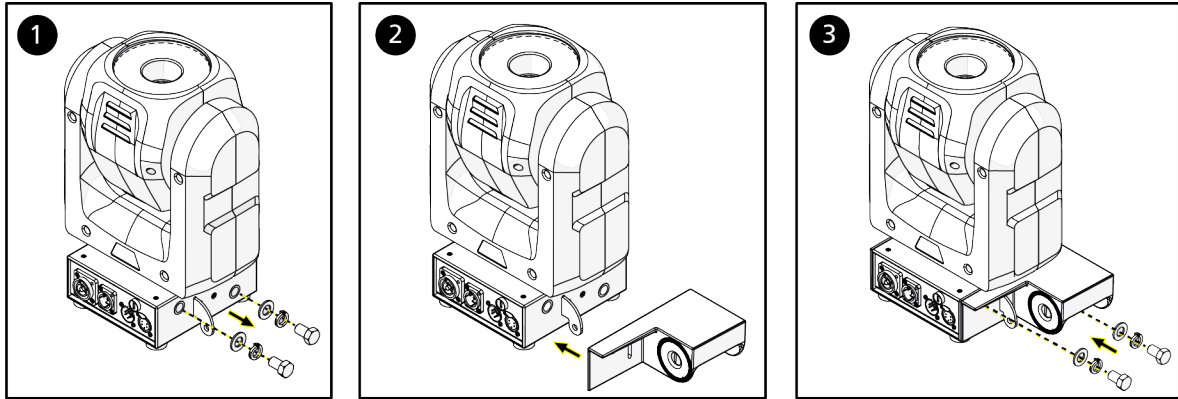
ETC Installation Guide

Talen Array Hinge Kit

Install the Array Hinges

Tool needed:

- 19 mm (3/4 in) wrench



1. Remove the hinge mounting bolts, locking washers, and flat washers from one side of the Talen upper enclosure.
2. Fit an array hinge onto the side of the upper enclosure.
3. Attach the flat washers, locking washers, and hinge mounting bolts to the fixture.
4. Tighten the hinge mounting bolts to secure the array hinge to the upper enclosure.
5. Repeat the procedure to install the second array hinge on the opposite side of the upper enclosure.



Note: *The flat washers and locking washers are important to the operation of the fixture. If you remove the array hinges from the fixture, you must use both the flat washers and the locking washers when you reattach the hinge mounting bolts to the upper enclosure after removing the array hinges.*

ETC Installation Guide

Talen Array Hinge Kit

Connect Fixtures



CAUTION: *All installations should be reviewed by rigging professionals.*

ATTENTION : *Toutes les installations doivent être examinées par des professionnels du gréage de spectacle.*



CAUTION: *When connecting more than three fixtures together, secure the array with a secondary support or attach both ends of the array directly to the installation location to stabilize the configuration.*



CAUTION: *Pinch hazard. Keep your fingers from between the array hinges when connecting multiple Talen fixtures together.*

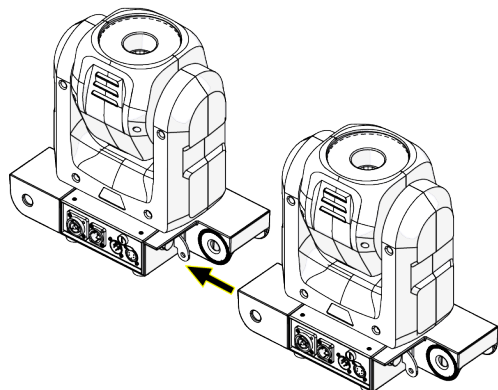
ATTENTION : *Risque de pincement. Gardez vos doigts éloignés des charnières lorsque vous connectez plusieurs appareils Talen ensemble.*

Use the hinge bolt, nyloc nut, and flat washers supplied in the Talen Array Hinge Kit to connect Talen fixtures to each other. You can connect a maximum of six fixtures in one configuration. See [Configuration Options on page 9](#) for additional information.

Tool needed:

- 24 mm (15/16 in) wrench

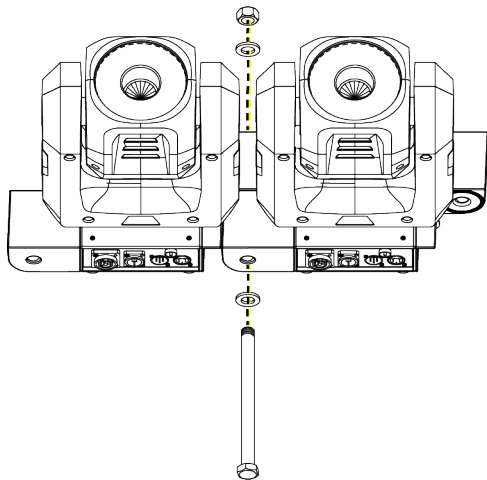
1. Fit two Talen fixtures together so that array hinges on the fixtures are aligned with each other.



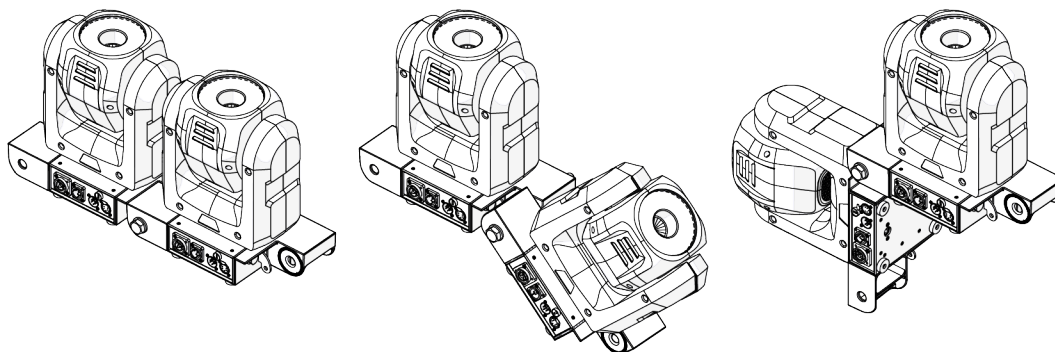
ETC Installation Guide

Talen Array Hinge Kit

2. Connect the fixtures.
 - a. Put a flat washer on the hinge bolt, and slide the hinge bolt through the array hinges to join the hinges together.
 - b. Put the second flat washer on the hinge bolt, and thread the nyloc nut onto the hinge bolt. Do not tighten the nyloc nut at this time.



3. Orient the Talen fixtures so that they are positioned as you want, and then tighten the nyloc nut to secure the fixtures in place. You can position the fixtures in any orientation 0–90 degrees from each other.



4. Repeat these steps as necessary to connect additional fixtures. Do not connect more than six fixtures together in one configuration.

ETC Installation Guide

Talen Array Hinge Kit



CAUTION: *The safety cable supplied with the Talen fixture is rated to secure a single fixture. If you need to secure multiple Talen fixtures with a single safety cable, you must use a stronger safety cable than the one that is provided with the fixture. Consult a qualified rigging professional to select an appropriate safety cable.*

ATTENTION : *Le câble de sécurité fourni avec le luminaire Talen est conçu pour sécuriser un seul luminaire. Si vous devez sécuriser plusieurs luminaires Talen avec un seul câble de sécurité, vous devez utiliser un câble de sécurité plus solide que celui fourni avec le luminaire. Consultez un professionnel qualifié en gréage de spectacle pour sélectionner un câble de sécurité approprié.*

5. For each fixture, attach the provided safety cable to one of the safety cable attachment points located on either side of the upper enclosure, and secure the safety cable to the trussing system or other safe installation point making sure the locking carabiner is locked. Follow local codes and recommended safety standards for securing each fixture to the installation location.
6. Attach the array to the installation location using the installation hardware manufacturer's instructions for a secure fit. (Refer to the *Talen User Manual* for instructions about attaching installation hardware to the fixture upper enclosure, or see [Attach Truss Clamps to an Array Hinge on page 8](#) for information about attaching truss clamps directly to an array hinge.)

ETC Installation Guide

Talen Array Hinge Kit

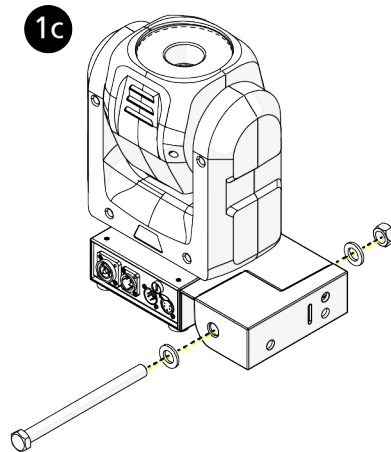
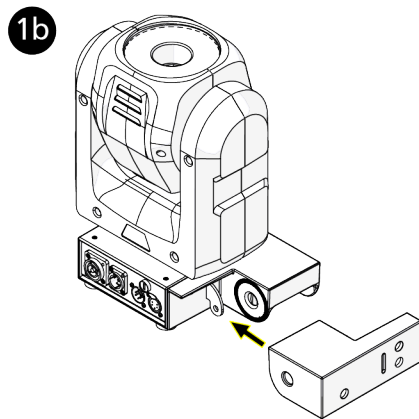
Attach Truss Clamps to an Array Hinge

Truss clamps and the related installation hardware are not supplied with the Talen fixture.

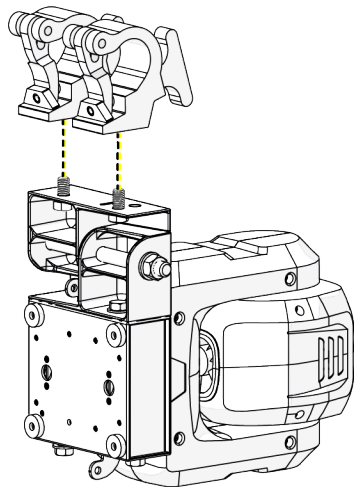
Tools needed:

- 24 mm (15/16 in) wrench
- Other tools, as necessary, for installing truss clamps

1. Install both array hinges on one side of the Talen enclosure.
 - a. Install one array hinge following instructions in [Install the Array Hinges on page 4](#).
 - b. Fit a second array hinge to the first array hinge.
 - c. Put a flat washer on the hinge bolt, and slide the hinge bolt through the array hinges to join them together. Put the second flat washer on the hinge bolt, and thread the nyloc nut onto the hinge bolt.
 - d. Tighten the nyloc nut to secure the array hinges.



2. Assemble appropriate bolts, washers, and truss clamps to the array hinge.



ETC Installation Guide

Talen Array Hinge Kit

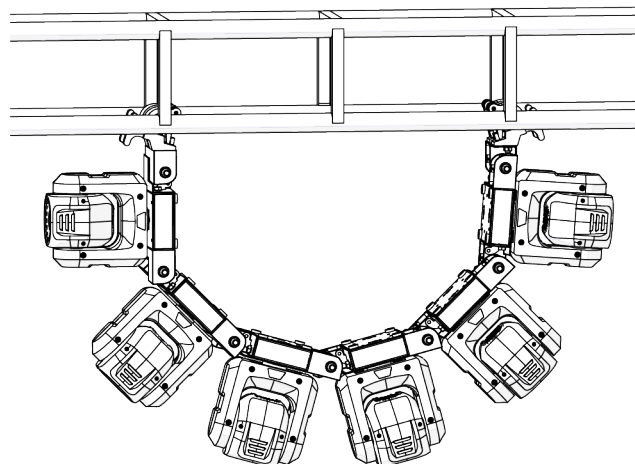
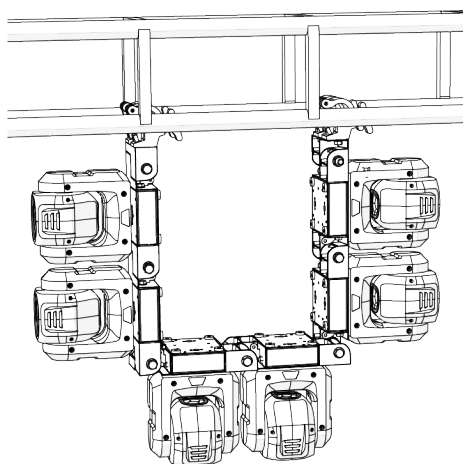
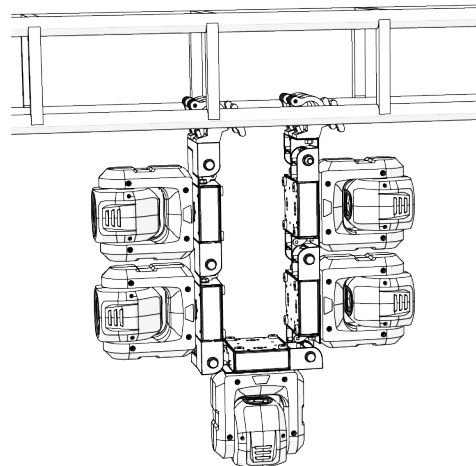
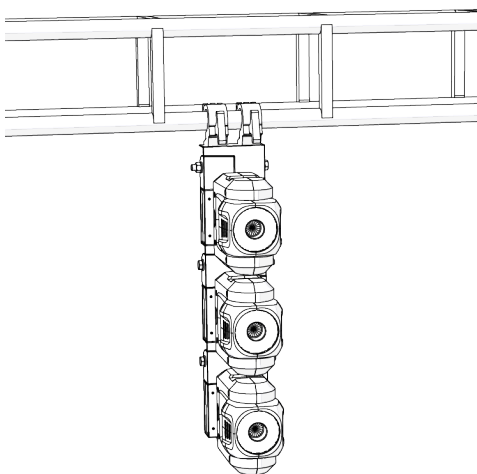
Configuration Options



CAUTION: *The installation configurations demonstrated in this guide are for reference only. All installations should be reviewed by rigging professionals. ETC and its partners take no responsibility for injury or product failure due to incorrect installations or installations that exceed the specifications detailed in this guide.*

ATTENTION : *Les configurations d'installation présentées dans ce guide sont fournies à titre indicatif uniquement. Toutes les installations doivent être examinées par des professionnels du gréage de spectacle. ETC et ses partenaires n'assument aucune responsabilité en cas de blessure ou de défaillance du produit dues à des installations incorrectes ou dépassant les spécifications détaillées dans ce guide.*

Review the [Installation Guidelines on page 2](#) before you install Talen fixtures.



ETC Installation Guide

Talen Array Hinge Kit

The Talen Rigging Plate accessory offers additional mounting options for Talen fixtures. Array hinges are attached directly to the rigging plate using clamps or appropriate bolts, washers, and nyloc nuts. (Mounting hardware is not included with the rigging plate.) Contact your ETC dealer or ETC Technical Services for ordering information.

