



Accessories and Rigging Hardware Overview



Tectonic Audio Labs loudspeakers should only ever be installed using recommended Tectonic Audio Labs installation accessories. The Tectonic installation accessories described in the Tectonic Audio Labs Accessories and Rigging Information manual and the specific mounting instructions are designed and manufactured to have a high load safety factor for their intended role. To ensure the highest safety standards, the information presented here on the assembly and safe implementation of Tectonic Audio Labs rigging accessories must be carefully understood and followed.



Tectonic Audio Labs Rigging and Installation Overview

SAFETY INSTRUCTIONS

- 1.0 Read all instructions.
- 2.0 Keep instructions.
- 3.0 Note and heed warnings.
- 4.0 Follow instructions.
- 5.0 Do not expose product to rain or salt spray.
- 6.0 Do not install near heat sources.
- 7.0 Product should only be serviced by qualified service personnel.
- 8.0 **WARNING – DO NOT PERFORM ANY SERVICE UNLES YOU ARE QUALIFIED TO DO SO.**
- 9.0 Read the System Rigging Section before installation and use of this product.

General Hardware Information

Any hardware used in an overhead installation must be load rated for its intended use. Generally, this type of hardware is available from rigging supply houses, industrial supply distributors and specialized rigging facilities. Local hardware stores do not usually stock these components. Compliant hardware will typically be labeled or marked with Working Load Limit (WLL) information.

A licensed Professional Engineer must approve the placement and method of attachment to the structure prior to the installation of any overhead object. The following performance standards should be provided to the Professional Engineer for design purposes: Uniform Building Code as applicable, Municipal Building Code as applicable, and Seismic Code as applicable. The installation of the hardware and method of attachment must be carried out in the manner specified by the Professional Engineer. Improper installation may result in damage, injury, or death

The information in this section has been assembled from recognized engineering data and is intended for informational purposes only. None of the information in this section should be used without first obtaining competent advice with respect to applicability to a given circumstance. None of the information presented herein is intended as a representation or warranty on the part of Tectonic Audio Labs. Anyone making use of this information assumes all liability arising from such use.

All information presented herein is based upon materials and practices common to North America and may not directly apply to other countries because of differing material dimensions, specifications, and/or local regulations. Users in other countries should consult with appropriate engineering and regulatory authorities for specific guidelines.

Correct use of all included hardware is required for secure system suspension. Careful calculations should always be performed to ensure that all components are used within their working load limits before the array is suspended. Never exceed the maximum recommended load ratings.



Before suspending any speaker system, always inspect all components (enclosure, bolts, nuts, eyebolts, etc.) for cracks, deformations, corrosion, or missing/loose/damaged parts that could reduce strength and safety of the array. Do not suspend the speaker until the proper corrective action has been taken. Use only load-rated hardware when suspending Tectonic Audio Labs speakers.

Installation Preface

Suspension systems are comprised of mechanical devices and, as such, require regular inspection and routine maintenance to ensure proper functionality. Before suspending or pole mounting any speaker system, always inspect all components (enclosure, suspension frames or brackets, pins, eyebolts, etc.) for cracks, deformations, corrosion, or missing/loose/damaged parts that could reduce strength and safety of the array. Do not suspend or pole mount a speaker until the proper corrective action has been taken.

Installed systems should be inspected at least once a year. The inspection must include a visual survey of all corners and load-bearing surfaces for signs of cracking, water damage, delamination, or any other condition that may decrease the strength of the loudspeaker enclosure.

Tectonic Audio Labs is not responsible for the application of its products for any purpose or the misuse of this information for any purpose. Additionally, Tectonic Audio Labs is not responsible for the abuse of its products caused by avoiding compliance with inspection and maintenance procedures or any other abuse.

Prior to suspending the system, an expert, trained and experienced in suspending speaker systems, should inspect all parts and components.

Where applicable, Tectonic Audio Labs hardware and accessories comply with the 2006/42/EC Machinery Directive and have been designed following the guidelines of BGV-C1 for a minimum safety factor of 10:1.

Definitions

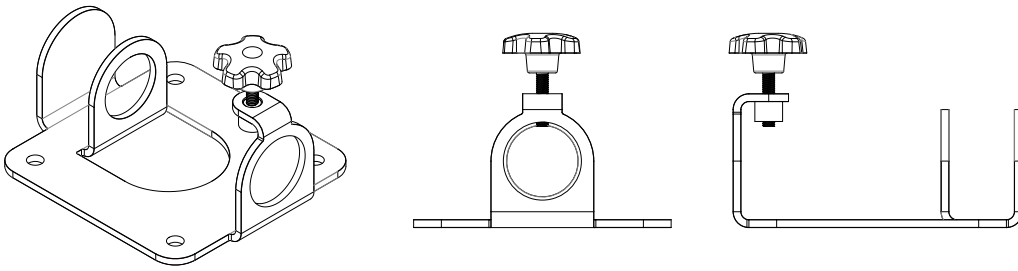
Safe Limit: The safe limit provides the number of speakers that can be used in an array and always produce a safety factor of 10:1 or higher. The safety factor of an array is determined by the number of boxes, overall weight of the array and any deviation force that may be placed on the hardware due to resulting hang angles for shackles and wire ropes. An array that is within the safe limit will always yield a safety factor greater than 10:1 regardless of the array parameters and conditions.

ANSI Standard E1.8-2005 (Entertainment Technology Loudspeaker Enclosures Intended for Overhead Suspension), Section 5.3.4, specifies a minimum safety factor of 5:1. If compliance with the ANSI standard is needed, make sure that the array design produces a minimum safety factor of 5:1

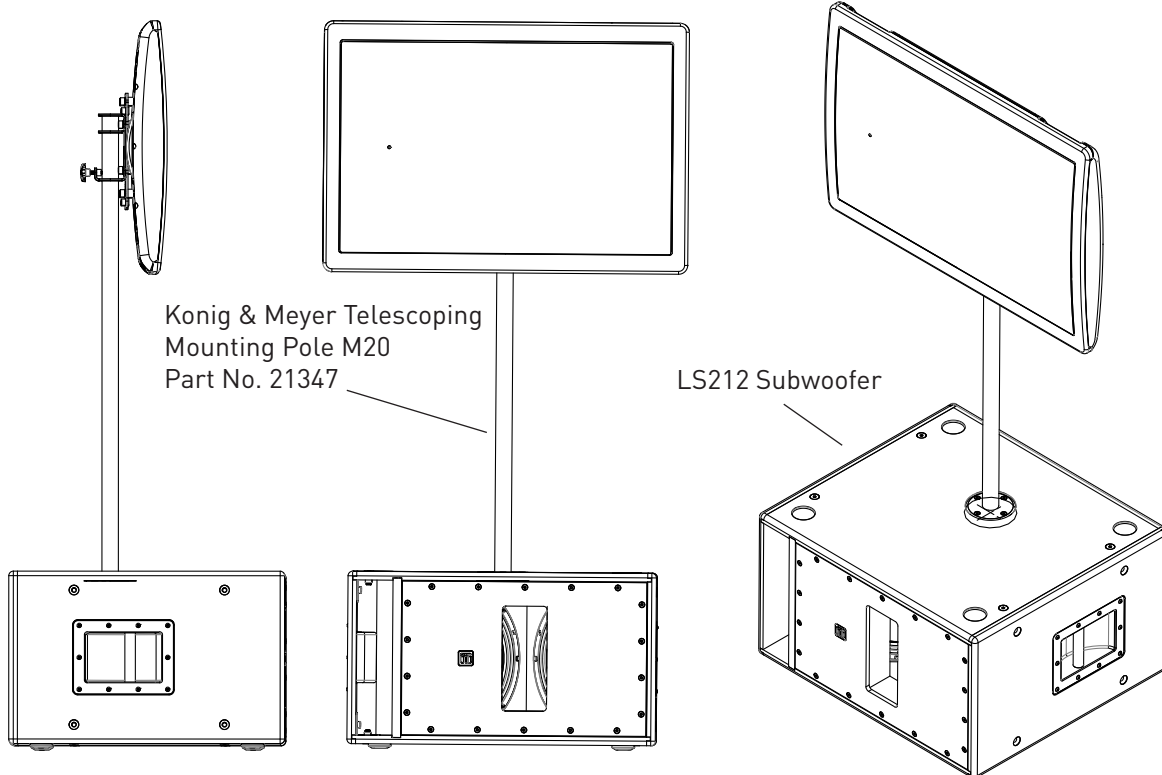
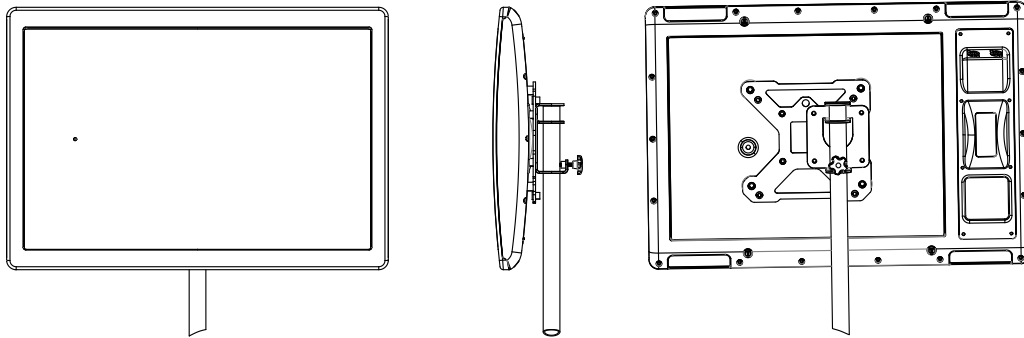
Pole Mount Adapter (PMA)

Kit:
PMA Bracket
8mm Knob Assembly
4-M8 x 30mm Bolts
4-M8 Washers

Max Safe Load Limit:
100lbs (45kg)
Use of M8 (grade 8) Bolts



The Pole Mount Adaptor (PMA) bolts on to the DML500's VESA bracket allowing mounting on



Konig & Meyer Telescoping
Mounting Pole M20
Part No. 21347

LS212 Subwoofer