

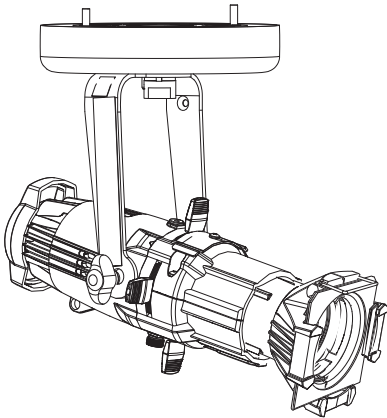
ETC Installation Guide

Source Four Mini™ LED Canopy and Track Mount Kits

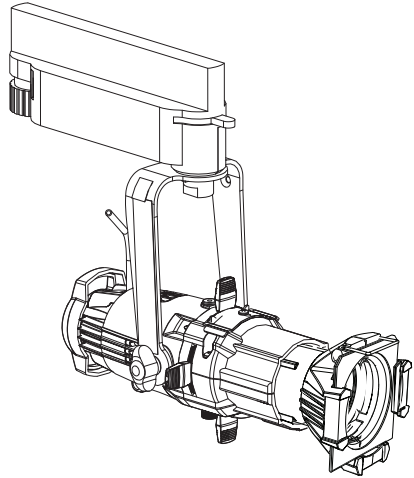


Introduction

This guide illustrates the installation of the Canopy and Track Mount kits for the Source Four Mini LED fixture. For additional information, see the *Source Four Mini LED User Manual* that shipped with your fixture.



Canopy mount



Track mount



WARNING: *TURN OFF POWER at main fuse or breaker box and verify that the power is off before proceeding with installation.*

Wiring must meet local and national codes.

Do not mount the fixture on or near combustible surfaces.

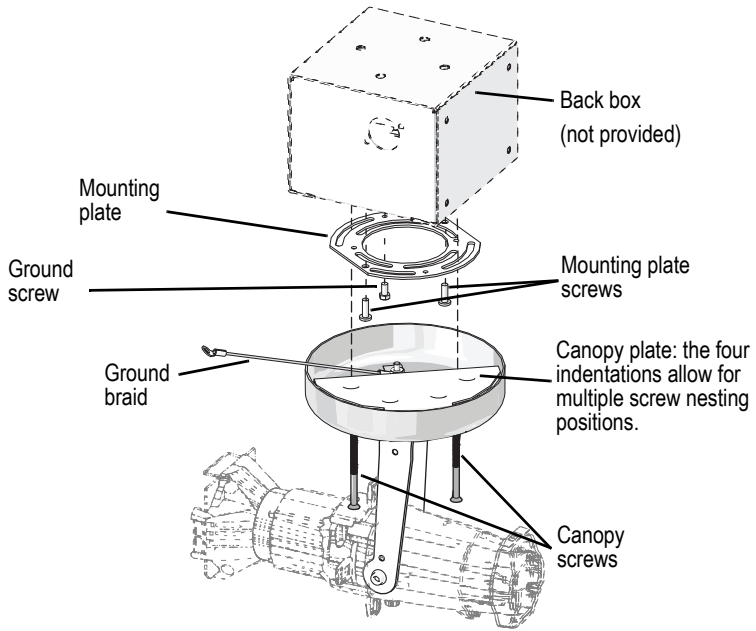
Do not operate the fixture without a lens installed.

Always hang the fixture with the color frame retaining clip in the locked position.

ETC Installation Guide

Source Four Mini LED

Canopy Installation Procedure



- Step 1: Remove the mounting plate from the fixture by removing the two canopy screws and the ground screw. Set the ground screw safely aside.
- Step 2: Using the mounting plate screws, secure the mounting plate to the installed electrical box, which is not included.



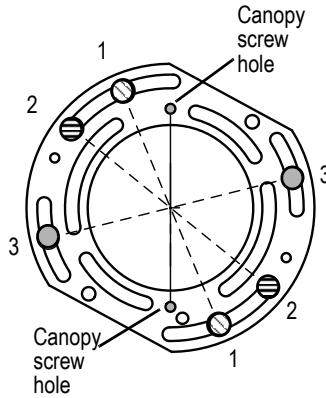
CAUTION: *The metal canopy plate has built in indentations allowing the mounting plate screws to nest into the canopy plate. For an ideal flush mount installation you may need to rotate the plate to accommodate these indentations. See the following graphic for additional information.*

ETC Installation Guide

Source Four Mini LED

Install the mounting plate screws in one of the three position-pairings shown.

Only the slots on the outer circumference will allow a true flush mounting.



Mounting plate screw
installation detail

- Step 3: Place the copper ground braid loop over the ground screw and attach the ground screw to the back box.
- Step 4: Connect the building ground wire to the ground wire on the fixture, following local electrical codes.
- Step 5: Connect your supply power wires to the lamp wiring using the included two-position Wagos.
- For 120V fixtures: Connect the black wire to line and the white wire to neutral.
- For 230V fixtures: Connect the brown wire to line and the blue wire to neutral.
- Step 6: While keeping in mind the mounting plate orientation, use the canopy screws to secure the fixture to the mounting plate.
- Step 7: Open all four of the shutter blades by sliding them outward until they stop.
- Step 8: Install a gobo and gel as desired and confirm that they are properly secured.
- Step 9: Restore power at the main fuse.
- Step 10: Focus the fixture as desired.

ETC Installation Guide

Source Four Mini LED

Track Installation Procedure



WARNING: To reduce the risk of fire and electric shock, use only with EUTRAC track system.



AVERTIR: Réduire le risque de feu et la décharge électrique, l'usage seulement avec le système de piste d'EUTRAC.

Step 1: Insert the track adapter into the track. The adapter will only fit one way into the track with the tabs of the adapter in the groove of the track.

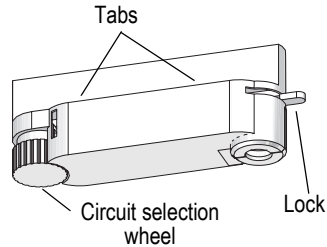
Step 2: Lock the adapter into place.

Step 3: Select circuit 1 or 2 using the circuit selection wheel.

The 230V track adapter has a three-circuit selector knob.

Step 4: Focus the fixture.

Step 5: Lock the fixture into place using the yoke lock.



There are cable protection posts on both the yoke lock and the yoke that prevent the fixture from rotating a full 360°.

The yoke can be locked into place using a 1.5mm Allen wrench.

