



ETC® Installation Guide

Source Four Mini™ Low Voltage Canopy Mount Kit

Introduction

This guide illustrates the installation of the Canopy Mount Kit for the Source Four Mini Low Voltage luminaire. For additional information, see the *Source Four Mini Low Voltage User Manual*.

Kit includes:

Canopy Mount Kit (7063K1010)

Qty	Description	Part Number
1	Canopy Enclosure Assembly	7063A3037
1	Canopy Mounting Plate	HW5535
1	Screw, Earth/Ground 8-32x5/16"	HW3223
2	Screw, Canopy Mount 2.5"	HW3219
2	Washer, Mounting Plate	HW3118
2	Screw, Mounting Plate 8-32x1/2"	HW392
2	3 position WAGO connector	J4629
1	1.5mm Allen key	N/A

Tools Required:

- #2 Philips Head screwdriver
- 1.5mm Allen key (provided in this kit)
- 1/8" wide flat blade screwdriver



WARNING: *TURN OFF POWER at main fuse or breaker box and verify that the power is off before proceeding with installation.*

Wiring must meet local and national codes.

Do not mount the luminaire on or near combustible surfaces.

Do not operate the luminaire without a lens installed.

Always hang the luminaire with the color frame retaining clip in the locked position.

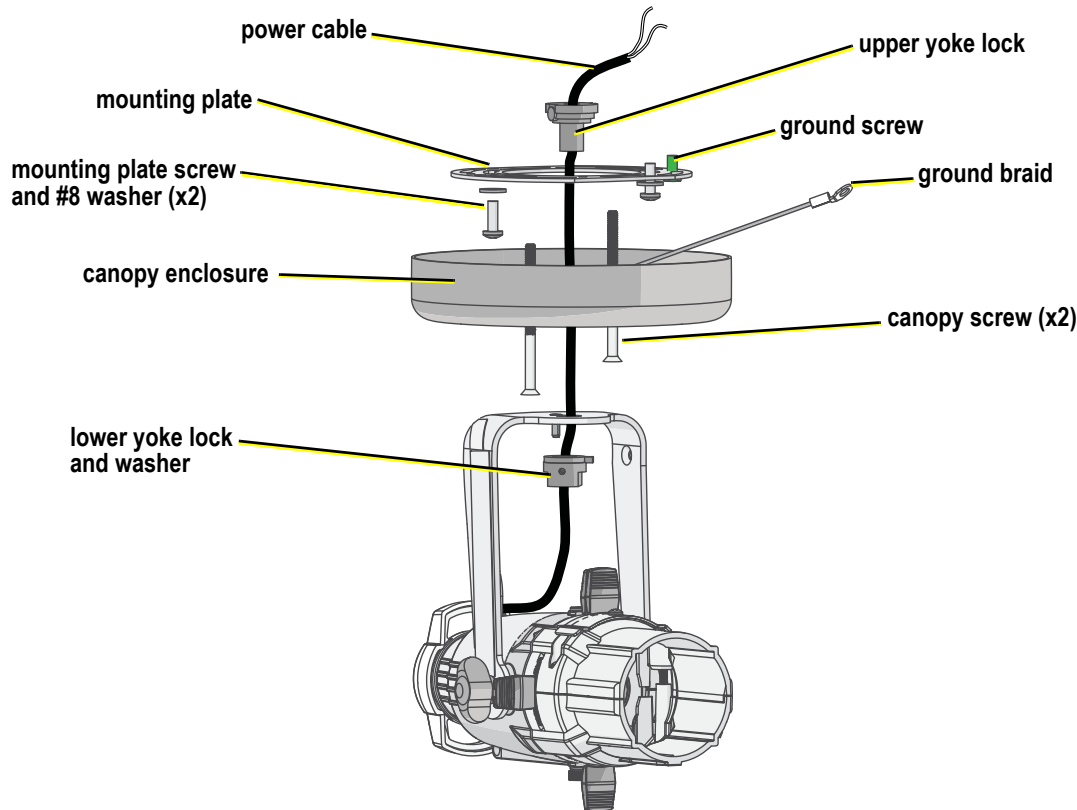


Corporate Headquarters ■ 3031 Pleasant View Road, P.O. Box 620979, Middleton, Wisconsin 53562-0979 USA ■ Tel +608 831 4116 ■ Fax +608 836 1736
 London, UK ■ Unit 26-28, Victoria Industrial Estate, Victoria Road, London W3 6UU, UK ■ Tel +44 (0)20 8896 1000 ■ Fax +44 (0)20 8896 2000
 Rome, IT ■ Via Pieve Torina, 48, 00156 Rome, Italy ■ Tel +39 (06) 32 111 683 ■ Fax +44 (0) 20 8752 8486
 Holzkirchen, DE ■ Ohmstrasse 3, 83607 Holzkirchen, Germany ■ Tel +49 (80 24) 47 00-0 ■ Fax +49 (80 24) 47 00-3 00
 Hong Kong ■ Rm 1801, 18/F, Tower 1 Phase 1, Enterprise Square, 9 Sheung Yuet Road, Kowloon Bay, Kowloon, Hong Kong ■ Tel +852 2799 1220 ■ Fax +852 2799 9325
 Service: (Americas) service@etconnect.com ■ (UK) service@etceurope.com ■ (DE) techserv-hoki@etconnect.com ■ (Asia) service@etcasia.com
 Web: www.etconnect.com ■ Copyright © 2014 ETC. All Rights Reserved. ■ Product information and specifications subject to change.
 7063M2120 ■ Rev A ■ Released 2014-02 ■ ETC intends this document to be provided in its entirety.

ETC Installation Guide

Low Voltage Canopy Mount Kit

Procedure



- Step 1: Attach the mounting plate to the electrical box with the 8-32x1/2" screws and #8 washers provided.
- Step 2: Disassemble the canopy enclosure hardware, upper and lower yoke locks.
- Step 3: Thread the luminaire's power cable through the lower yoke lock, through canopy enclosure, and through the upper yoke lock.
- Step 4: Assemble the canopy enclosure to the luminaire yoke.
 - a: Insert the upper yoke lock to the canopy enclosure and through the yoke.
 - b: Thread the lower yoke lock and washer onto the upper yoke lock until snug then use the provided allen key to tighten the set screw firmly in place. The upper yoke lock and the lower yoke lock and washer are keyed for a proper fit.
- Step 5: Adjust the slack in the luminaire power cable, leaving approximately 5" (12 cm) of slack on the yoke side of the canopy, allowing for luminaire focus.
- Step 6: Using a small flat blade screwdriver, tighten the set screw in the upper yoke lock firmly onto the power cable.
- Step 7: Connect the incoming ground wire from the wall and the canopy ground braid to the ground screw on the mounting plate.



WARNING: *This luminaire is intended for 12 volt operation and power input. DO NOT connect this luminaire to a line voltage system (120V or otherwise).*

- Step 8: Use the included three position WAGO connectors to connect the luminaire power wires to the *low voltage power* source. Strip 10mm of sheathing from the wire ends as needed and connect only one wire per terminal.
- Step 9: Use the provided canopy screws to secure the luminaire and canopy mount to the installed mounting plate.