

ETC Install Guide

Source Four® LED CYC Barn Door

Overview

The ETC Source Four LED CYC barn door is an attachment that installs on the front end of any Source Four LED CYC adapter. This document describes the installation of this attachment.

Tools required

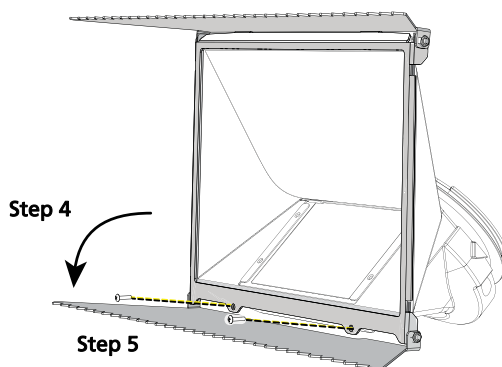
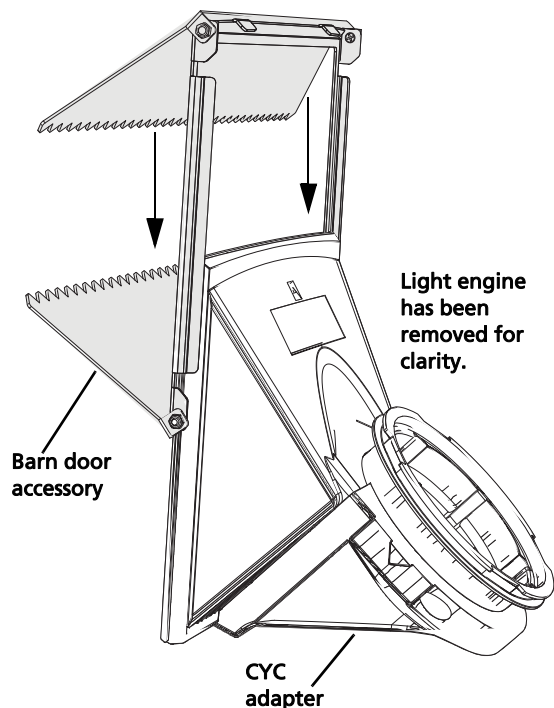
- Phillips Screwdriver

Installation Instructions



Note: *Both the top and bottom flaps must be folded in before installing the barn door.*

- 1: There are two screws that ship with the barn door accessory. Locate these screws and set them aside.
- 2: With the flaps folded in, align the barn door accessory with the left and right edges of the CYC adapter.
- 3: Slide the barn door accessory onto the CYC adapter as shown.
- 4: Hinge the bottom flap open.
- 5: Using the Phillips screwdriver, install the two screws to secure the barn door in place. Screws must be fully tightened below the lower edge of the CYC adapter to secure the barn door in place and allow full movement of the bottom flap.



Note: *The bottom flap of the barn door will give a hard-cut edge while the top flap is intended to be used for glare control only.*



Corporate Headquarters ■ Middleton, WI, USA ■ Tel +608 831 4116 ■ Service: (Americas) service@etcconnect.com

London, UK ■ Tel +44 (0)20 8896 1000 ■ Service: (UK) service@etcurope.com

Rome, IT ■ Tel +39 (06) 32 111 683 ■ Service: (UK) service@etcurope.com

Holzkirchen, DE ■ Tel +49 (80 24) 47 00-0 ■ Service: (DE) techserv-hoki@etcconnect.com

Hong Kong ■ Tel +852 2799 1220 ■ Service: (Asia) service@etcasia.com

Web: etcconnect.com ■ © 2017 Electronic Theatre Controls, Inc.

Product information and specifications subject to change. ETC intends this document to be provided in its entirety.

7460M2130 ■ Rev B ■ Released 2017-02