

ETC Installation Guide

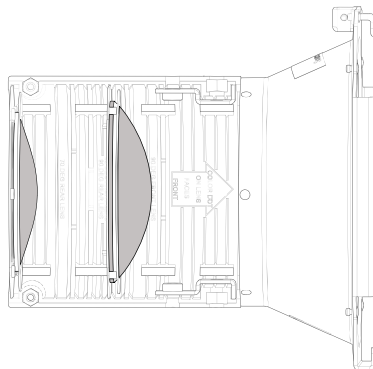
Source Four® LED 50 Degree Lens Tube

Overview

This document describes how to remove the lenses for cleaning or replacement.

Tools Required

- Magnetic #1 Phillips Screwdriver
- 3 mm Hex Wrench



The larger front lens is marked with one white dot and one green dot.

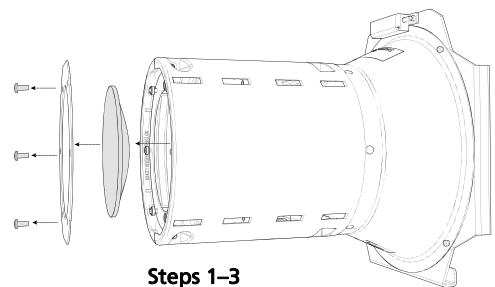
The smaller rear lens is marked with three blue dots and one white dot.

The curved surface of the lenses face toward the front of the lens tube as shown.

Instructions

Removing the Rear Lens

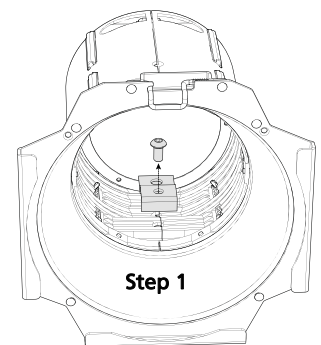
- 1: Using a #1 Phillips screwdriver, remove the three screws located on the rear of the lens tube.
- 2: Remove the metal ring.
- 3: Slowly tilt the lens tube backwards and carefully remove the rear lens. It is recommended that you use a soft cloth to hold the lens during removal to prevent fingerprints on the glass.



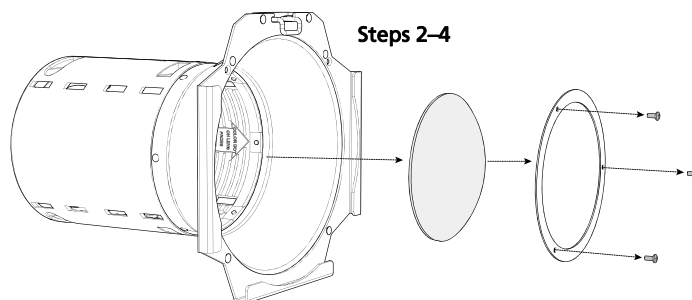
Steps 1–3

Removing the Front Lens

- 1: Using a 3 mm hex wrench, remove one of the two brackets at the front of the lens tube.
- 2: Using a #1 Phillips screwdriver, remove the three screws located on the front of the lens.
- 3: Remove the metal ring.
- 4: Slowly tilt the lens tube forward and carefully remove the front lens. It is recommended that you use a soft cloth to hold the lens during removal to prevent fingerprints on the glass.



Step 1



Steps 2–4

To reassemble the lens tube, follow the above steps in the reverse order.



Corporate Headquarters ■ Middleton, WI, USA ■ Tel +608 831 4116 ■ Service: (Americas) service@etcconnect.com

London, UK ■ Tel +44 (0)20 8896 1000 ■ Service: (UK) service@etcconnect.com

Rome, IT ■ Tel +39 (06) 32 111 683 ■ Service: (UK) service@etcconnect.com

Holzkirchen, DE ■ Tel +49 (80 24) 47 00-0 ■ Service: (DE) techserv-hoki@etcconnect.com

Hong Kong ■ Tel +852 2799 1220 ■ Service: (Asia) service@etcconnect.com

Web: etcconnect.com ■ © 2017 Electronic Theatre Controls, Inc.

Product information and specifications subject to change. ETC intends this document to be provided in its entirety.

7460M2110 ■ Rev B ■ Released 2017-02