

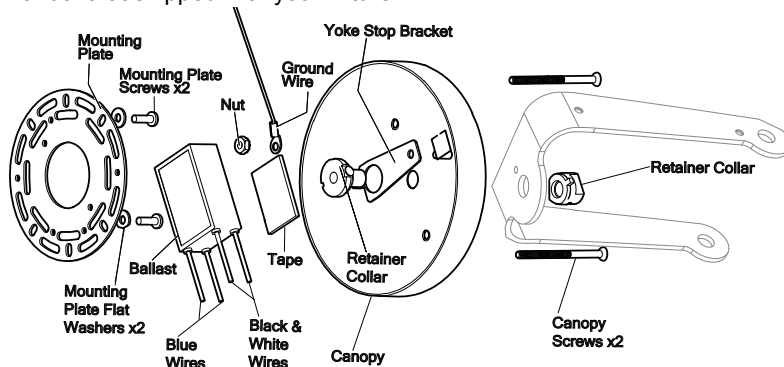


ETC Installation Guide

Source Four Mini Canopy and Track Mount Kits

Introduction

This guide illustrates the installation of the Canopy and Track Mount kits for the Source Four Mini fixture. For additional information, see the Source Four Mini User Manual that shipped with your fixture.



WARNING: *TURN OFF POWER at main fuse or breaker box and verify that the power is off before proceeding with installation. Wiring must meet local and national codes. Do not mount the fixture on or near combustible surfaces. Do not operate the fixture without a lens installed. Always hang the fixture with the color frame retaining clip in the locked position.*

Canopy Installation Procedure

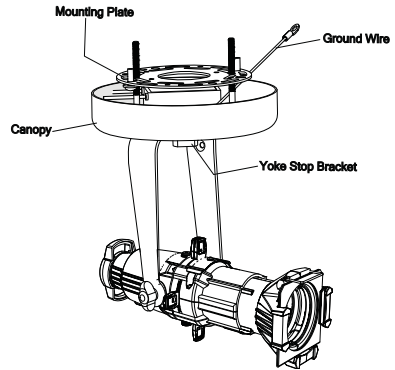
- Step 1: Remove the mounting plate from the fixture by removing the two canopy screws. (These screws will be needed for Step 6.)
- Step 2: Using the mounting plate screws and washers, secure the mounting plate to the electrical box, which is not included.
- Step 3: Connect the ground wire from the wall and the copper ground braid from the fixture to the mounting plate ground screw. This will allow the fixture to hang from the ceiling while you complete the wiring.
- Step 4: Connect your supply power wires to the lamp wiring. Black is the hot wire, and White is the neutral wire. Use the included two-position Wagos.
- Step 5: To determine the alignment of the canopy, orientate the fixture in the direction it will be focused.

Corporate Headquarters ■ 3031 Pleasant View Road, P.O. Box 620979, Middleton, Wisconsin 53562-0979 USA ■ Tel +608 831 4116 ■ Fax +608 836 1736
London, UK ■ Unit 26-28, Victoria Industrial Estate, Victoria Road, London W3 6UU, UK ■ Tel +44 (0)20 8896 1000 ■ Fax +44 (0)20 8896 2000
Rome, IT ■ Via Pieve Torina, 48, 00156 Rome, Italy ■ Tel +39 (06) 32 111 683 ■ Fax +44 (0)20 8752 8486
Holzkirchen, DE ■ Ohmstrasse 3, 83607 Holzkirchen, Germany ■ Tel +49 (80 24) 47 00-0 ■ Fax +49 (80 24) 47 00-3 00
Hong Kong ■ Rm 1801, 18/F, Tower 1 Phase 1, Enterprise Square, 9 Sheung Yuet Road, Kowloon Bay, Kowloon, Hong Kong ■ Tel +852 2799 1220
Service: (Americas) service@etconnect.com ■ (UK) service@etc europe.com ■ (DE) techserv-hoki@etconnect.com ■ (Asia) service@etcasia.com
Web: www.etconnect.com ■ Copyright © 2013 ETC. All Rights Reserved. ■ Product information and specifications subject to change.
7063M2100 ■ Rev A ■ Released 2013-05 ■ ETC intends this document to be provided in its entirety.

ETC Installation Guide

Source Four Mini

- Step 6: Using the canopy screws, secure the fixture to the mounting plate, while keeping in mind the alignment in Step 5.
- Step 7: Open all of the shutter blades by sliding them outward until they stop.
- Step 8: Install gobo and/or gel as desired and confirm that they are properly secured.
- Step 9: Restore power at the main fuse.
- Step 10: Focus the fixture as desired.



Track Installation Procedure

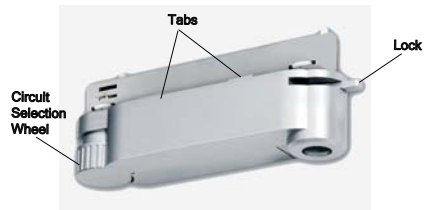


WARNING: *To reduce the risk of fire and electric shock, use only with EUTRAC track system.*



AVERTIR: *Réduire le risque de feu et la décharge électrique, l'usage seulement avec le système de piste d'EUTRAC.*

- Step 1: Insert the track adapter into the track. The adapter will only fit one way into the track with the tabs of the adapter in the groove of the track.
- Step 2: Lock the adapter into place.
- Step 3: Select circuit 1 or 2 using the circuit selection wheel.
- Step 4: Focus the fixture.
- Step 5: Lock the fixture into place using the yoke lock.



There are posts on both the yoke lock and the yoke that will prevent the fixture from rotating all the way around to protect the cable.

The yoke can be locked into place using a 1.5mm Allen Wrench.

