

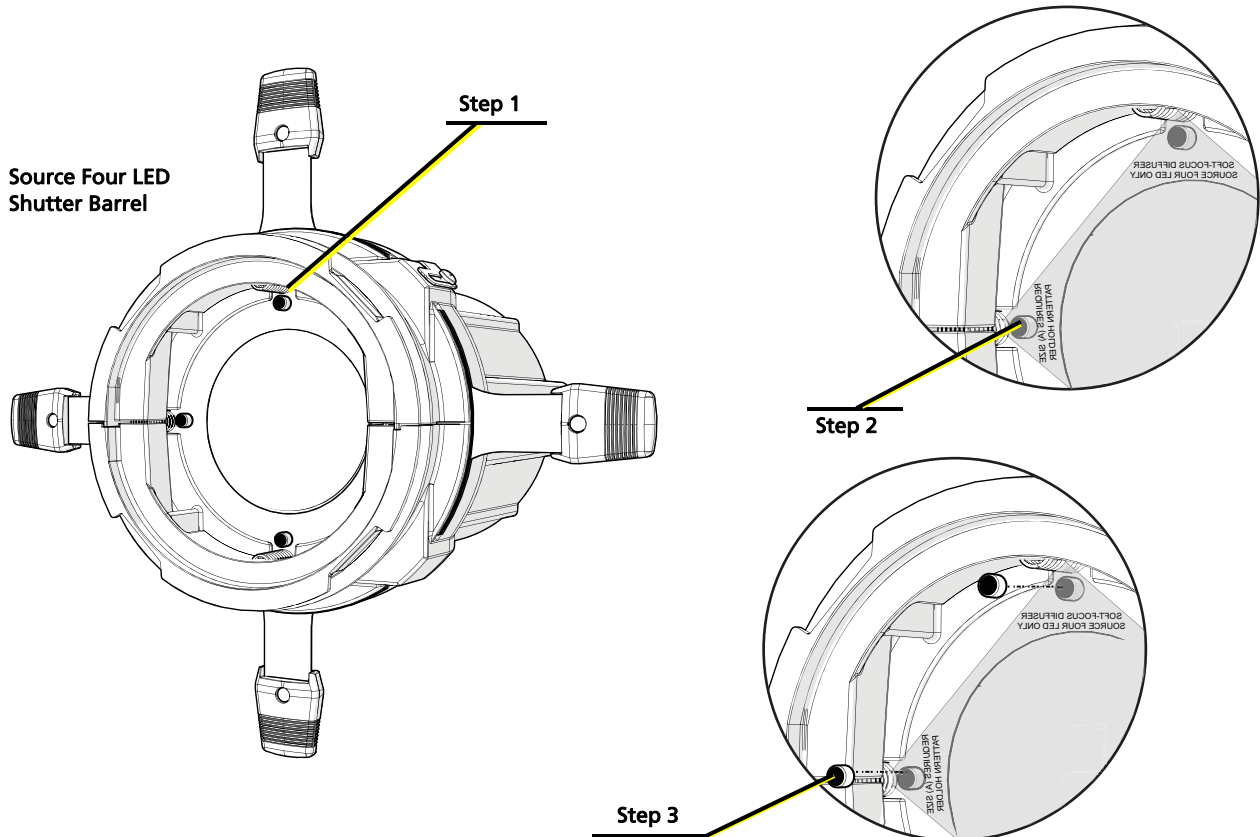
ETC Installation Guide

Source Four® LED Installed Soft Focus Diffusion Kit

Introduction

This guide illustrates the permanent installation of the soft focus diffuser onto the back shutter plate of a Source Four LED fixture shutter barrel.

Install the Diffuser



- 1: Place one magnet at the base of each of the four springs.

Note: *The diffusion has text to indicate which side should be directed toward the front of the LED fixture. During installation, the text will appear backwards.*

- 2: Insert the square of soft focus diffusion on top of the magnets, tucking each corner into the lowest possible space on each spring.

Note: *Adjust the diffusion so that the text does not appear through the opening of the aperture.*

- 3: Place each remaining magnet on top of the previously installed magnets, holding the diffusion firmly in place.



Corporate Headquarters ■ Middleton, WI, USA ■ Tel +608 831 4116 ■ Service: (Americas) service@etcconnect.com

London, UK ■ Tel +44 (0)20 8896 1000 ■ Service: (UK) service@etceurope.com

Rome, IT ■ Tel +39 (06) 32 111 683 ■ Service: (UK) service@etceurope.com

Holzkirchen, DE ■ Tel +49 (80 24) 47 00-0 ■ Service: (DE) techserv-hoki@etcconnect.com

Hong Kong ■ Tel +852 2799 1220 ■ Service: (Asia) service@etcasia.com

Web: etcconnect.com ■ © 2017 Electronic Theatre Controls, Inc.

Product information and specifications subject to change. ETC intends this document to be provided in its entirety.

7460M2100 ■ Rev B ■ Released 2017-07