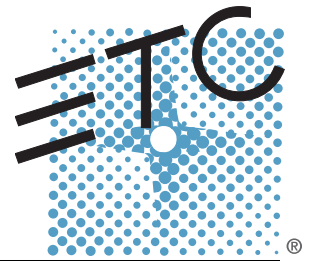


Source Four[®] **PAR**



User Manual

Production Dates: September 2004 - Present

Copyright © 2008 Electronic Theatre Controls, Inc.
All Rights reserved.
Product information and specifications subject to change.
Part Number: **7061M1200-06.01** Rev B
Released: June 2008

Picking# 7061M1001-B

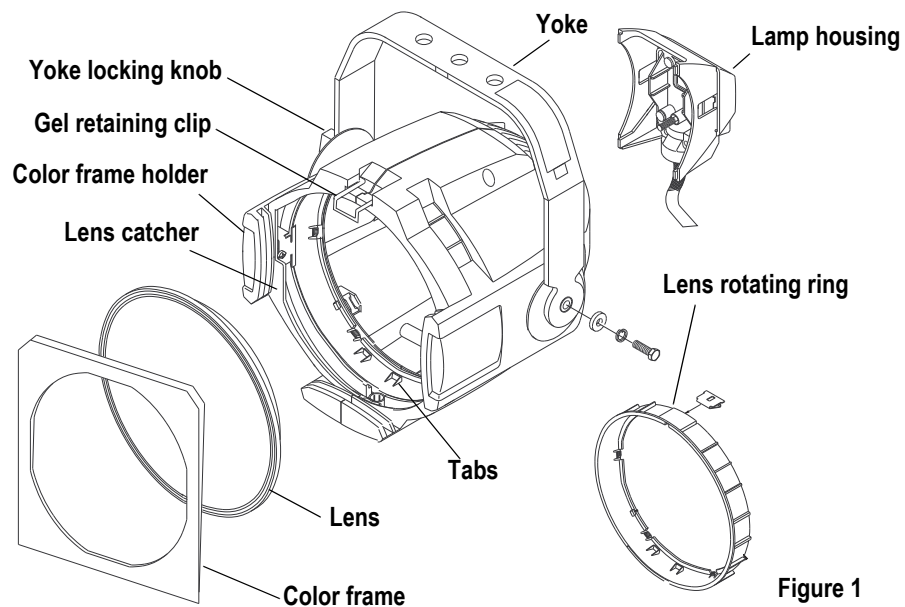
Table of Contents

| | |
|---|---|
| Basic Assembly | 1 |
| Fixture information | 2 |
| Color frame holder | 2 |
| Replacing the HPL lamp | 3 |
| Lens identification | 4 |
| Changing a lens | 4 |
| Cleaning glass lens and reflector | 5 |

ETC[®], Emphasis[®], Expression[®], Insight[™], Imagine[™], Focus[™], Express[™], Unison[®], Obsession[®] II, ETCNet2[™], EDMX[™], Source Four[®], Revolution[®], Sensor[®], and WYSILink[™] are either registered trademarks or trademarks of Electronic Theatre Controls, Inc. in the United States and other countries.

All other trademarks, both marked and not marked, are the property of their respective owners.

Basic Assembly



WARNING:

Please note the following safety warnings before use:

Do not mount the fixture on or near combustible surfaces.

Do not operate the fixture without a lens installed.

Always hang the fixture with the color frame retaining clip in the locked position.

Fixture information

HPL lamp table



CAUTION: Do not use lamps other than the HPL in Source Four fixtures. *Use of lamps other than HPL will void UL/cUL safety compliance and your warranty.*

| Lamp code | Watts | Volts | Initial Lumen | Color temp. | Average rated life |
|--------------|-------|-------|---------------|-------------|--------------------|
| HPL 780/77* | 750 | 77 | 22,950 | 3,250° | 300 hours |
| HPL 550/77* | 550 | 77 | 16,170 | 3,250° | 300 hours |
| HPL 550/77X* | 550 | 77 | 12,160 | 3,050° | 2000 hours |
| | | | | | |
| HPL 750/115 | 750 | 115 | 21,900 | 3,250°K | 300 hours |
| HPL 750/115X | 750 | 115 | 16,400 | 3,050° | 1500 hours |
| HPL 575/115 | 575 | 115 | 16,520 | 3,250°K | 300 hours |
| HPL 575/115X | 575 | 115 | 12,360 | 3,050°K | 2000 hours |
| HPL 375/115 | 375 | 115 | 10,540 | 3,250°K | 300 hours |
| HPL 375/115X | 375 | 115 | 8,000 | 3,050°K | 1000 hours |
| | | | | | |
| HPL 750/120 | 750 | 120 | 21,900 | 3,250°K | 300 hours |
| HPL 750/120X | 750 | 130 | 16,400 | 3,050°K | 1500 hours |
| HPL 575/120 | 575 | 120 | 16,520 | 3,250°K | 300 hours |
| HPL 575/120X | 575 | 120 | 12,360 | 3,050°K | 2000 hours |
| | | | | | |
| HPL 750/230 | 750 | 230 | 19,750 | 3,200°K | 300 hours |
| HPL 750/230X | 750 | 230 | 15,600 | 3,050°K | 1500 hours |
| HPL 575/230 | 575 | 230 | 14,900 | 3,200°K | 400 hours |
| HPL 575/230X | 575 | 230 | 11,780 | 3,050°K | 1500 hours |
| HPL 375/230X | 375 | 230 | 7,250 | 3,000°K | 1000 hours |
| | | | | | |
| HPL 750/240 | 750 | 240 | 19,750 | 3,200°K | 300 hours |
| HPL 750/240X | 750 | 240 | 15,600 | 3,050°K | 1500 hours |
| HPL 575/240 | 575 | 240 | 14,900 | 3,050°K | 400 hours |
| HPL 575/240X | 575 | 240 | 11,780 | 3,050°K | 1500 hours |
| HPL 375/240X | 375 | 240 | 7,250 | 3,000°K | 1000 hours |

* To be used with ETC Dimmer Doubler™

Color frame holder

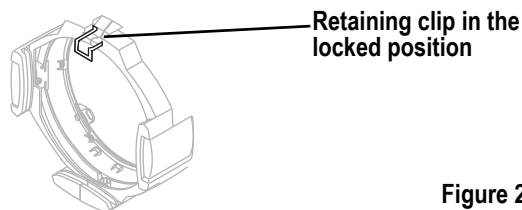


Figure 2

The color frame holder is equipped with a spring-loaded retaining clip that prevents color frames and accessories from falling out. See [Figure 2](#).



WARNING: *Make sure all color frame accessories are locked in position with the retaining clip before hanging the fixture.*

- Step 1: Release the retaining clip by pushing it sideways while gently pulling backwards.
- Step 2: Insert the color frame.
- Step 3: Lock the retaining clip by pushing sideways while gently pushing forward.



Note: *Use only color frames or accessories with 7.5 inch mounting flange.*

Replacing the HPL lamp

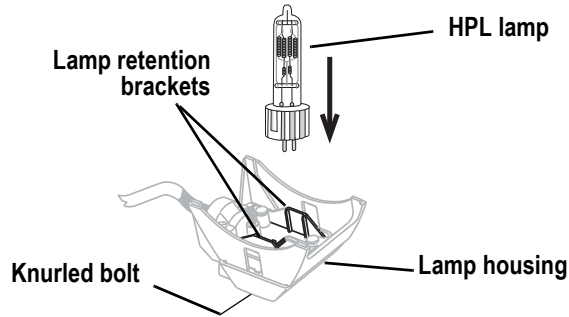


Figure 3



Note:

The performance of saturated colors may be less than desirable in any theatrical lighting fixture, especially when equipped with a 750w lamp. For best results, always use high-quality color media rated for high-temperature use.

ETC's optional Gel Extender, part # PSF1029, will provide maximum color media life. The use of any gel extender accessory may limit the coverage of any wide-angle lens or beam setting.

A variety of heat shield products is also available from many color media manufacturers. Follow the manufacturer's instructions for the use of these products.

A lamp must be installed before you use the fixture.



Note:

Verify that the HPL lamp you intend to install is suitable for your facility's voltage; 115-, 120-, 230-, and 240-volt HPL lamps are available. See [Basic Assembly, page 1](#). Operating HPL lamps above their rated voltage reduces lamp life and can cause premature lamp failure.



WARNING:

Unplug the fixture and allow it to cool down before attempting to change the lamp.

Step 1: Disconnect power to the Source Four before installing the lamp.

Step 2: Loosen the knurled bolt on the back of the lamp housing and pull the housing out.

Step 3: Holding by the base, remove the HPL lamp from its box.

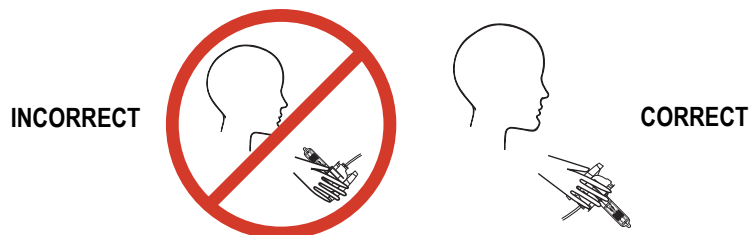


CAUTION:

Use caution when installing or replacing any lamp.

When installing/replacing lamp, be sure to point the lamp away from your face and away from others before inserting it firmly into the assembly.

This may prevent injuries if the lamp should break.



Note:

To avoid premature lamp failure, do not touch the lamp glass. If you do, clean it carefully with isopropyl alcohol and a clean lint-free cloth. Allow to dry before operation.

- Step 4: Align the flat sides of the lamp base with the retention brackets on either side of the socket as shown in [Figure 3](#).
- Step 5: Push down on the lamp base until the lamp seats firmly. When properly installed, the top of the lamp's base will be even with the top edges of the retention brackets.



CAUTION: *Improperly installed lamps cause premature lamp failure and socket problems.*

- Step 6: Press lamp retaining clip across lamp base to secure.
- Step 7: Reinstall the lamp housing by aligning the bolt hole and tightening the knurled bolt.

Lens identification

Lenses for the Source Four PAR come in four versions. The type, or beam spread, can be identified by the lens texture.

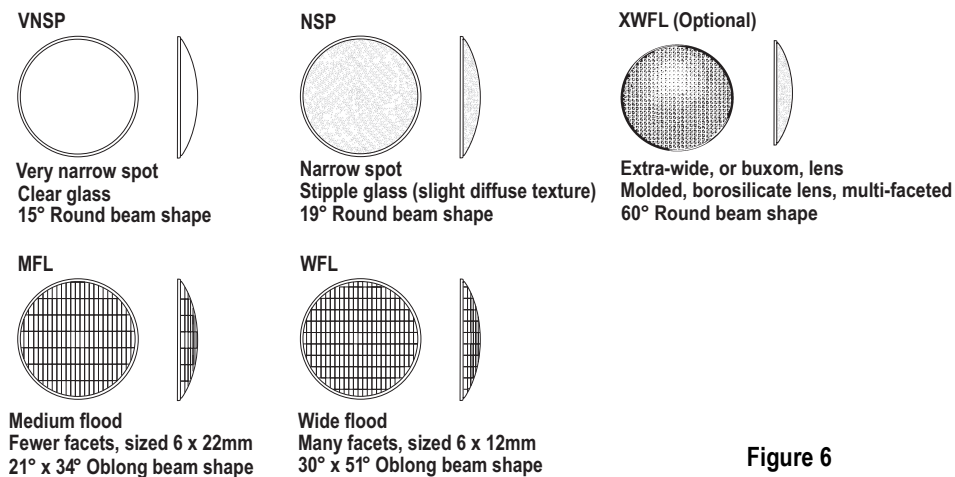


Figure 6

Changing a lens



CAUTION: *Never operate the fixture without a lens in place.*



WARNING: *Unplug the fixture and allow it to cool down before attempting to change a lens.*

Change lenses if they become cracked or badly scratched.

Removing a lens

- Step 1: Place the fixture on a flat, stable work surface. **Do Not** remove or install lenses with fixture hanging.
- Step 2: Position the lens rotation ring with the spring clip at the top of the unit, directly below the gel retaining clip. See [Figure 1](#).
- Step 3: Tilt the front of the fixture down at least 45°. See [Figure 7](#).
- Step 4: Press the spring clip with your finger to release the lens.
- Step 5: Allow the lens to drop forward from under the clip.
- Step 6: When the lens drops, remove your finger, allowing the lens to slide forward until it rests on the lens catchers. See [Figure 8](#).
- Step 7: Carefully remove the lens.

Installing a lens

Step 1: Position the fixture with the front of the unit (lens side) facing you, and tilted slightly upward. See [Figure 9](#).

Step 2: Hold the lens by the edge and position it so the convex side faces the rear of the fixture.



Note: *Installing the lens with the convex side out will not impair the optics, but it will make removing the lens difficult.*

Step 3: From the top of the fixture, slide the lens behind the lens catchers and position it behind the tabs on the bottom of the lens rotator ring. Gently push the top of the lens inward until it snaps behind the spring clip.

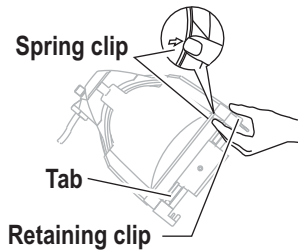
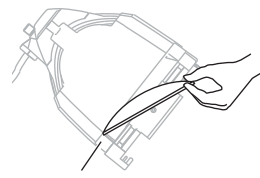


Figure 7



Lens Catcher

Figure 8

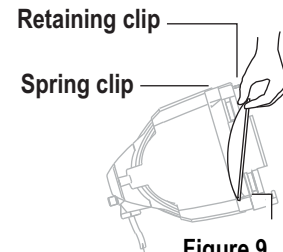


Figure 9

Cleaning glass lens and reflector



WARNING: *Do not use ammonia-based or other harsh commercial cleaners. Clean lens and reflector only as directed.*

Commercially available glass cleaning agents should be avoided as they may contain ammonia, other harsh chemical detergents or abrasive agents. These cleaners may damage the glass surface and the Anti-Reflective coatings. Do not immerse or soak the glass in any cleaning solution.

Cleaning glass lens

Replace lenses if they contain visible damage (cracks or deep scratches) that may impair their effectiveness.

Remove dust with a blast of oil-free air or wipe with a clean, lint-free cloth. Isopropyl alcohol, distilled water or a 50%-50% mixture of each can be used to clean the glass surface.

Cleaning the reflector



WARNING: *Unplug the fixture before attempting to clean the reflector.*

To quickly clean the reflector, remove the lens ([See "Removing a lens" on page 4.](#)) and clean the dust from the reflector with a blast of oil-free air. You may also wipe the reflector with a clean lint-free cloth. If either method is not sufficient, follow these steps.

Step 1: To protect the lamp housing during cleaning, remove the lamp housing by loosening the knurled bolt and pulling the housing straight out. See [Figure 3](#).

Step 2: Remove dust with a blast of oil-free air or wipe with a clean, lint-free cloth. Isopropyl alcohol, distilled water or a 50%-50% mixture of each can be used to clean the glass surface.

Step 3: Gently wipe the reflector.

Step 4: Perform the steps in [Installing a lens, page 5](#).

Step 5: Reinstall the lamp housing and tighten the knurled bolt.



Corporate Headquarters ■ 3031 Pleasant View Road, P.O. Box 620979, Middleton, Wisconsin 53562-0979 USA ■ Tel +608 831 4116 ■ Fax +608 836 1736
London, UK ■ Unit 26-28, Victoria Industrial Estate, Victoria Road, London W3 6UU, UK ■ Tel +44 (0)20 8896 1000 ■ Fax +44 (0)20 8896 2000
Rome, IT ■ Via Ennio Quirino Visconti, 11, 00193 Rome, Italy ■ Tel +39 (06) 32 111 683 ■ Fax +39 (06) 32 656 990
Holzkirchen, DE ■ Ohmstrasse 3, 83607 Holzkirchen, Germany ■ Tel +49 (80 24) 47 00-0 ■ Fax +49 (80 24) 47 00-3 00
Hong Kong ■ Rm 1801, 18/F, Tower 1 Phase 1, Enterprise Square, 9 Sheung Yuet Road, Kowloon Bay, Kowloon, Hong Kong ■ Tel +852 2799 1220 ■ Fax +852 2799 9325
Service: (Americas) service@etcconnect.com ■ (UK) service@etc europe.com ■ (DE) techserv-hoki@etcconnect.com ■ (Asia) service@etcasia.com
Web: www.etcconnect.com ■ Copyright © 2008 ETC. All Rights Reserved. ■ Product information and specifications subject to change.
7061M1200-06.01 ■ Rev B ■ Released 06/2008