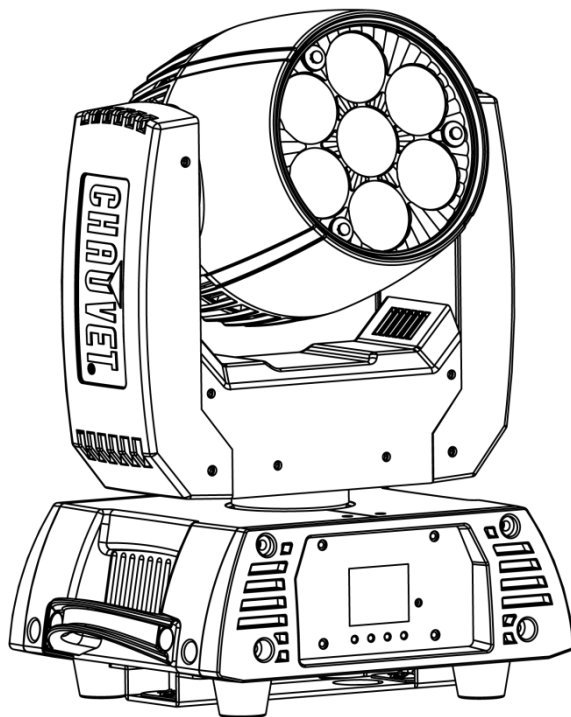


ROGUE™



Quick Reference Guide

English	EN
Español	ES
Français	FR
Nederlands	NL



CHAUVET
PROFESSIONAL®

About This Guide The Rogue™ R1 Wash Quick Reference Guide (QRG) has basic product information such as connection, mounting, menu options, and DMX values. Download the User Manual from www.chauvetprofessional.com for more details.

Disclaimer The information and specifications contained in this QRG are subject to change without notice.

- Safety Notes**
- DO NOT open this product. It contains no user-serviceable parts.
 - To eliminate unnecessary wear and improve its lifespan, during periods of non-use completely disconnect the product from power via breaker or by unplugging it.
 - CAUTION: When transferring product from extreme temperature environments, (e.g. cold truck to warm humid ballroom) condensation may form on the internal electronics of the product. To avoid causing a failure, allow product to fully acclimate to the surrounding.
 - DO NOT look at the light source when the product is on.
 - CAUTION: This product's housing may be hot when lights are operating.
 - Mount this product in a location with adequate ventilation, at least 20 in (50 cm) from adjacent surfaces.
 - DO NOT leave any flammable material within 50 cm of this product while operating or connected to power.
 - CAUTION: When transferring product from extreme temperature environments, (e.g. cold truck to warm humid ballroom) condensation may form on the internal electronics of the product. To avoid causing a failure, allow product to fully acclimate to the surrounding environment before connecting it to power.
 - USE a safety cable when mounting this product overhead.
 - DO NOT operate this product outdoors or in any location where dust, excessive heat, water, or humidity may affect it. (IP20)
 - DO NOT operate this product if the housing, lenses, or cables appear damaged.
 - DO NOT connect this product to a dimmer or rheostat.
 - ONLY connect this product to a grounded and protected circuit.
 - ONLY use the hanging/mounting bracket or the handles to carry this product. Do not carry by the moving head.
 - In the event of a serious operating problem, stop using immediately.
 - The maximum ambient temperature is 113 °F (45 °C). Do not operate this product at higher temperatures.

- Contact**
- From outside the U.S., UK, Ireland, Mexico, or Benelux contact the distributor of record to request support or return a product.
 - From inside the U.S., UK, Ireland, Mexico, or Benelux use the information in [Contact Us](#) at the end of this QRG.

- What Is Included**
- | | |
|---------------------------------|--|
| · Rogue™ R1 Wash | · Omega bracket with mounting hardware |
| · Neutrik® powerCON® power cord | · Quick Reference Guide |
| · Warranty Card | |

AC Power This product has an auto-ranging power supply that can work with an input voltage range of 100–240 VAC, 50/60 Hz.



To eliminate unnecessary wear and improve its lifespan, during periods of non-use completely disconnect the product from power via breaker or by unplugging it.

Power Linking You can link up to 10 Rogue™ R1 Wash products at 120 V, 18 products at 208 V, or 21 products at 230 V. Never exceed this number. Power linking cords can be purchased separately.

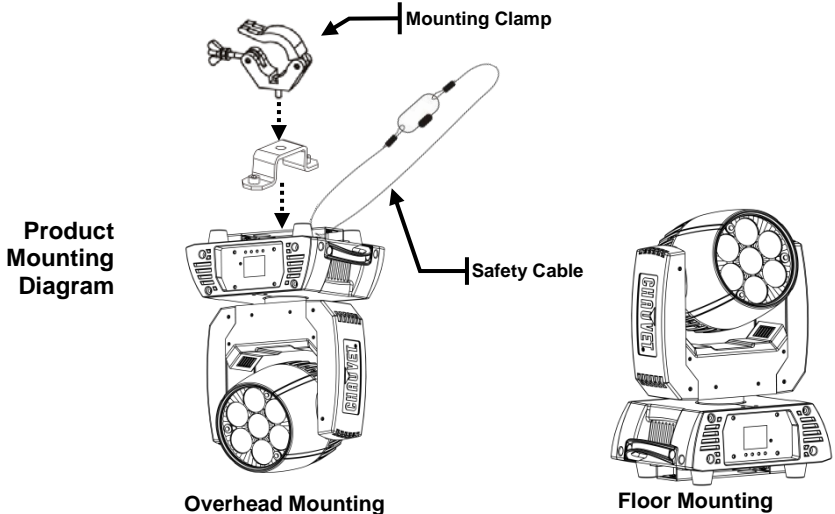
AC Plug	Connection	Wire (U.S.)	Wire (Europe)	Screw Color
	AC Live	Black	Brown	Yellow/Brass
	AC Neutral	White	Blue	Silver
	AC Ground	Green/Yellow	Green/Yellow	Green

- Replacing The Fuse**
1. Disconnect this product from power.
 2. Using a flat head screwdriver, unscrew the fuse holder cap from the housing.
 3. Remove blown fuse and replace with a good fuse of the same type and rating.
 4. Screw the fuse holder cap back in place and reconnect power.

DMX Linking The Rogue™ R1 Wash will work with a DMX controller using a 3- or 5-pin DMX serial connection. A DMX Primer is available from www.chauvetprofessional.com.

DMX Connection The Rogue™ R1 Wash uses a 3- or 5-pin DMX data connection for its DMX personalities: **14CH**, **15CH**, **19CH**, and **21CH**. See the User Manual for information about connecting and configuring the product for DMX operation.

Mounting Before mounting this product, read the [Safety Notes](#). Use at least one mounting point per product. Make sure the mounting clamps (such as TRUSST® clamps from Chauvet) are capable of supporting the weight of the product. For our Chauvet line of mounting clamps, go to www.trusst.com/productcategory/accessories-clamps/.



When using only one mounting clamp, be sure to use a clamp with a captive bolt to prevent accidental loosening.

Control Panel Description

Button	Function
<MENU>	Exits from the current menu or function
<ENTER>	Enables the currently displayed menu or sets the currently selected value into the selected function
<UP>	Navigates upwards through the menu list or increases the numeric value when in a function
<DOWN>	Navigates downwards through the menu list or decreases the numeric value when in a function

Menu Map

Main Level	Programming Levels		Description	
Address	001–512		Sets the DMX starting address	
Run Mode	DMX	14CH	Selects the DMX mode	
		15CH		
		19CH		
		21CH		
	Auto Test		Runs the product's test sequence	
	Manual Test	Pan	000–255	Allows manual control of all settings from the control panel
		Tilt		
		Dimmer		
		Shutter		
		Red		
Green				
Blue				
White				
Zoom				
Setup	Pan Reverse	OFF	Reverse pan operation	
		ON	Normal pan operation	
	Tilt Reverse	OFF	Reverse tilt operation	
		ON	Normal tilt operation	
	Pan Angle	540	Selects the 540° pan angle range	
		360	Selects the 360° pan angle range	
		180	Selects the 180° pan angle range	
	Tilt Angle	230	Selects the 230° tilt angle range	
		180	Selects the 180° tilt angle range	
		90	Selects the 90° tilt angle range	
	Fans	Auto	Selects the fan's operation mode	
		ECO		
		Full		
Display	OFF	Determines whether or not the backlight of the display will stay on after last command button pressed		
	ON			

Menu Map (Cont.)

Main Level	Programming Levels			Description	
Setup (Cont.)	Screen Rev	OFF		Rotates control screen view 180°	
		ON		Normal control screen view	
	Dimmer Curve	Linear		Liner dimmer	
		Square		Square curve dimmer	
		I Squa		Reverse square curve dimmer	
		SCurve		S curve dimmer	
	Dimmer Speed	Smooth		Slow (Smooth) or fast (Fast) dimmer curves	
		Fast			
	Color calibration	Off			Max. output when RGBW DMX channels are at full
		On			Factory calibrated color temperature when RGBW DMX channels are at full
		Custom	RED	100–255	Manual calibration of color temperature when RGBW DMX channels are at full
			GREEN		
	BLUE				
	Reset Function	Pan/Tilt	NO		Resets pan/tilt functions to the home position
			YES		
Zoom		NO		Resets all Zoom functions to the home position	
		YES			
All		NO		Resets all functions to the home position	
		YES			
Factory Set				Reverts the product back to the original factory settings	
Sys Info	Ver:			Displays the software version	
	Running Mode:			Displays the current running mode	
	Dmx Address:			Displays the current DMX address	
	Temperature:			Displays the product's temperature in Celsius	
	Fixture Time			Displays the product's total time running	

DMX Values

21CH	Channel	Function	Value	Percent/Setting
	1	Pan	000ó 255	0–100%
	2	Fine Pan	000ó 255	Fine control (16-bit)
	3	Tilt	000ó 255	0–100%
	4	Fine Tilt	000ó 255	Fine control (16-bit)
	5	Pan/Tilt Speed	000ó 255	0–100%
	6	Dimmer	000ó 255	0–100%
	7	Fine Dimmer	000ó 255	Fine control (16-bit)
	8	Shutter	000ó 019	Closed
			020ó 024	Open
			025ó 064	Fast to slow
			065ó 069	Open
			070ó 084	Fast on/ramp off
			085ó 089	Open
			090ó 104	Ramp off/fast on
			105ó 109	Open
			110ó 124	Random
			125ó 129	Open
			130ó 144	Random fast on/ramp off
			145ó 149	Open
			150ó 164	Random slow on/fast off
			165ó 169	Open
			170ó 184	Pulse
			185ó 189	Open
	190ó 204	Random pulse		
	205ó 209	Open		
	210ó 224	Fade on/off		
	225ó 229	Open		
	230ó 244	Pulse		
	245ó 255	Open		
	9	Red	000ó 255	0–100%
	10	Fine Red	000ó 255	Fine control (16-bit)
	11	Green	000ó 255	0–100%
	12	Fine Green	000ó 255	Fine control (16-bit)
	13	Blue	000ó 255	0–100%
	14	Fine Blue	000ó 255	Fine control (16-bit)
	15	White	000ó 255	0–100%
	16	Fine White	000ó 255	Fine control (16-bit)

DMX Values (Cont.)

21CH (Cont.)	Channel	Function	Value	Percent/Setting
			000 ∘ 004	Open
			005 ∘ 009	Color 1
			010 ∘ 014	Color 2
			015 ∘ 019	Color 3
			020 ∘ 024	Color 4
			025 ∘ 029	Color 5
			030 ∘ 034	Color 6
			035 ∘ 039	Color 7
			040 ∘ 044	Color 8
			045 ∘ 049	Color 9
			050 ∘ 054	Color 10
			055 ∘ 059	Color 11
			060 ∘ 064	Color 12
			065 ∘ 069	Color 13
			070 ∘ 074	Color 14
			075 ∘ 079	Color 15
			080 ∘ 084	Color 16
			085 ∘ 089	Color 17
			090 ∘ 094	Color 18
			095 ∘ 099	Color 19
			100 ∘ 104	Color 20
			105 ∘ 109	Color 21
			110 ∘ 114	Color 22
			115 ∘ 119	Color 23
			120 ∘ 124	Color 24
			125 ∘ 129	Color 25
			130 ∘ 134	Color 26
			135 ∘ 139	Color 27
			140 ∘ 144	Color 28
			145 ∘ 149	Color 29
			150 ∘ 154	Color 30
			155 ∘ 159	Color 31
			160 ∘ 164	Color 32
			165 ∘ 169	Color 33
			170 ∘ 174	Color 34
			175 ∘ 179	Closed
			180 ∘ 201	Clockwise color scroll, fast to slow
			202 ∘ 207	Stop on current color
			208 ∘ 229	Counter-clockwise color scroll, fast to slow
			230 ∘ 234	Closed
			235 ∘ 249	Color scroll
			250 ∘ 255	Closed
	17	Color		
	18	Zoom	000 ∘ 255	0–100%

DMX Values (Cont.)

21CH (Cont.)	Channel	Function	Value	Percent/Setting
19	Movement Macros	000	007	No function
		008	023	Effect 1
		024	039	Effect 2
		040	055	Effect 3
		056	071	Effect 4
		072	087	Effect 5
		088	103	Effect 6
		104	119	Effect 7
		120	135	Effect 8
		136	151	Effect 9
		152	167	Effect 10
		168	183	Effect 11
		184	199	Effect 12
		200	215	Effect 13
		216	231	Effect 14
		232	247	Effect 15
248	255	Effect 16		
20	Movement Macro Speed	000	255	0–100%
21	Control	000	009	No function
		010	014	Blackout during pan/tilt (5 s activation delay)
		015	019	No function
		020	024	No function
		025	029	No function
		030	034	No function
		035	039	No function
		040	044	No function
		045	049	No function
		050	054	Pan reset (5 s activation delay)
		055	059	Tilt reset (5 s activation delay)
		060	064	Zoom reset (5 s activation delay)
		065	069	No function
		070	074	All reset (5 s activation delay)
		075	079	No function
		080	084	Pan/Tilt movement reverse (5 s activation delay)
		085	089	Pan movement reverse (5 s activation delay)
		090	094	Tilt movement reverse (5 s activation delay)
		095	099	Disable Pan movement reverse (5 s activation delay)
		100	104	Disable Tilt movement reverse (5 s activation delay)
		105	109	Disable Pan/Tilt movement reverse (5 s activation delay)
		110	114	No function
		115	119	No function
		120	124	Economy fan (5 s activation delay)
125	129	Full fan (5 s activation delay)		
130	134	Auto fan (5 s activation delay)		
135	139	Fast dimmer curve (5 s activation delay)		
140	144	Smooth dimmer curve (5 s activation delay)		
145	255	No function		

DMX Values (Cont.)

19CH	Channel	Function	Value	Percent/Setting
	1	Pan	000ó 255	0–100%
	2	Fine Pan	000ó 255	Fine control (16-bit)
	3	Tilt	000ó 255	0–100%
	4	Fine Tilt	000ó 255	Fine control (16-bit)
	5	Pan/Tilt Speed	000ó 255	0–100%
	6	Dimmer	000ó 255	0–100%
	7	Fine Dimmer	000ó 255	Fine control (16-bit)
	8	Shutter	000ó 019	Closed
			020ó 024	Open
			025ó 064	Fast to slow
			065ó 069	Open
			070ó 084	Fast on/ramp off
			085ó 089	Open
			090ó 104	Ramp off/fast on
			105ó 109	Open
			110ó 124	Random
			125ó 129	Open
			130ó 144	Random fast on/ramp off
			145ó 149	Open
			150ó 164	Random slow on/fast off
			165ó 169	Open
	170ó 184	Pulse		
	185ó 189	Open		
	190ó 204	Random pulse		
	205ó 209	Open		
	210ó 224	Fade on/off		
	225ó 229	Open		
	230ó 244	Pulse		
	245ó 255	Open		
	9	Red	000ó 255	0–100%
	10	Fine Red	000ó 255	Fine control (16-bit)
	11	Green	000ó 255	0–100%
	12	Fine Green	000ó 255	Fine control (16-bit)
	13	Blue	000ó 255	0–100%
	14	Fine Blue	000ó 255	Fine control (16-bit)
	15	White	000ó 255	0–100%
	16	Fine White	000ó 255	Fine control (16-bit)

DMX Values (Cont.)

19CH (Cont.)	Channel	Function	Value	Percent/Setting
			000 004	Open
			005 009	Color 1
			010 014	Color 2
			015 019	Color 3
			020 024	Color 4
			025 029	Color 5
			030 034	Color 6
			035 039	Color 7
			040 044	Color 8
			045 049	Color 9
			050 054	Color 10
			055 059	Color 11
			060 064	Color 12
			065 069	Color 13
			070 074	Color 14
			075 079	Color 15
			080 084	Color 16
			085 089	Color 17
			090 094	Color 18
			095 099	Color 19
			100 104	Color 20
			105 109	Color 21
			110 114	Color 22
			115 119	Color 23
			120 124	Color 24
			125 129	Color 25
			130 134	Color 26
			135 139	Color 27
			140 144	Color 28
			145 149	Color 29
			150 154	Color 30
			155 159	Color 31
			160 164	Color 32
			165 169	Color 33
			170 174	Color 34
			175 179	Closed
			180 201	Clockwise color scroll, fast to slow
			202 207	Stop on current color
			208 229	Counter-clockwise color scroll, fast to slow
			230 234	Closed
			235 249	Color scroll
			250 255	Closed
	17	Color		
	18	Zoom	000 255	0–100%

DMX Values (Cont.)

19CH (Cont.)	Channel	Function	Value	Percent/Setting
			000ó 009	No function
			010ó 014	Blackout during pan/tilt (5 s activation delay)
			015ó 019	No function
			020ó 024	No function
			025ó 029	No function
			030ó 034	No function
			035ó 039	No function
			040ó 044	No function
			045ó 049	No function
			050ó 054	Pan reset (5 s activation delay)
			055ó 059	Tilt reset (5 s activation delay)
			060ó 064	Zoom reset (5 s activation delay)
			065ó 069	No function
			070ó 074	All reset (5 s activation delay)
			075ó 079	No function
			080ó 084	Pan/Tilt movement
	19	Control		reverse (5 s activation delay)
			085ó 089	Pan movement reverse (5 s activation delay)
			090ó 094	Tilt movement reverse (5 s activation delay)
			095ó 099	Disable Pan movement
				reverse (5 s activation delay)
			100ó 104	Disable Tilt movement
				reverse (5 s activation delay)
			105ó 109	Disable Pan/Tilt movement
				reverse (5 s activation delay)
			110ó 114	No function
			115ó 119	No function
			120ó 124	Economy fan (5 s activation delay)
			125ó 129	Full fan (5 s activation delay)
			130ó 134	Auto fan (5 s activation delay)
			135ó 139	Fast dimmer curve (5 s activation delay)
			140ó 144	Smooth dimmer curve (5 s activation delay)
			145ó 255	No function

DMX Values (Cont.)

15CH	Channel	Function	Value	Percent/Setting
	1	Pan	000ó 255	0–100%
	2	Fine Pan	000ó 255	Fine control (16-bit)
	3	Tilt	000ó 255	0–100%
	4	Fine Tilt	000ó 255	Fine control (16-bit)
	5	Pan/Tilt Speed	000ó 255	0–100%
	6	Dimmer	000ó 255	0–100%
	7	Fine Dimmer	000ó 255	Fine control (16-bit)
	8	Shutter	000ó 019	Closed
			020ó 024	Open
			025ó 064	Fast to slow
			065ó 069	Open
			070ó 084	Fast on/ramp off
			085ó 089	Open
			090ó 104	Ramp off/fast on
			105ó 109	Open
			110ó 124	Random
			125ó 129	Open
			130ó 144	Random fast on/ramp off
			145ó 149	Open
			150ó 164	Random slow on/fast off
			165ó 169	Open
			170ó 184	Pulse
			185ó 189	Open
	190ó 204	Random pulse		
	205ó 209	Open		
	210ó 224	Fade on/off		
	225ó 229	Open		
	230ó 244	Pulse		
	245ó 255	Open		
	9	Red	000ó 255	0–100%
	10	Green	000ó 255	0–100%
	11	Blue	000ó 255	0–100%
	12	White	000ó 255	0–100%

DMX Values (Cont.)

15CH (Cont.)	Channel	Function	Value	Percent/Setting
13	Color		000 ∘ 004	Open
			005 ∘ 009	Color 1
			010 ∘ 014	Color 2
			015 ∘ 019	Color 3
			020 ∘ 024	Color 4
			025 ∘ 029	Color 5
			030 ∘ 034	Color 6
			035 ∘ 039	Color 7
			040 ∘ 044	Color 8
			045 ∘ 049	Color 9
			050 ∘ 054	Color 10
			055 ∘ 059	Color 11
			060 ∘ 064	Color 12
			065 ∘ 069	Color 13
			070 ∘ 074	Color 14
			075 ∘ 079	Color 15
			080 ∘ 084	Color 16
			085 ∘ 089	Color 17
			090 ∘ 094	Color 18
			095 ∘ 099	Color 19
			100 ∘ 104	Color 20
			105 ∘ 109	Color 21
			110 ∘ 114	Color 22
			115 ∘ 119	Color 23
			120 ∘ 124	Color 24
			125 ∘ 129	Color 25
			130 ∘ 134	Color 26
			135 ∘ 139	Color 27
			140 ∘ 144	Color 28
			145 ∘ 149	Color 29
			150 ∘ 154	Color 30
			155 ∘ 159	Color 31
			160 ∘ 164	Color 32
	165 ∘ 169	Color 33		
	170 ∘ 174	Color 34		
	175 ∘ 179	Closed		
	180 ∘ 201	Clockwise color scroll, fast to slow		
	202 ∘ 207	Stop on current color		
	208 ∘ 229	Counter-clockwise color scroll, fast to slow		
	230 ∘ 234	Closed		
	235 ∘ 249	Color scroll		
	250 ∘ 255	Closed		
14	Zoom		000 ∘ 255	0–100%

DMX Values (Cont.)

15CH (Cont.)	Channel	Function	Value	Percent/Setting
			000○ 009	No function
			010○ 014	Blackout during pan/tilt (5 s activation delay)
			015○ 019	No function
			020○ 024	No function
			025○ 029	No function
			030○ 034	No function
			035○ 039	No function
			040○ 044	No function
			045○ 049	No function
			050○ 054	Pan reset (5 s activation delay)
			055○ 059	Tilt reset (5 s activation delay)
			060○ 064	Zoom reset (5 s activation delay)
			065○ 069	No function
			070○ 074	All reset (5 s activation delay)
			075○ 079	No function
			080○ 084	Pan/Tilt movement reverse (5 s activation delay)
			085○ 089	Pan movement reverse (5 s activation delay)
			090○ 094	Tilt movement reverse (5 s activation delay)
			095○ 099	Disable Pan movement reverse (5 s activation delay)
			100○ 104	Disable Tilt movement reverse (5 s activation delay)
			105○ 109	Disable Pan/Tilt movement reverse (5 s activation delay)
			110○ 114	No function
			115○ 119	No function
			120○ 124	Economy fan (5 s activation delay)
			125○ 129	Full fan (5 s activation delay)
			130○ 134	Auto fan (5 s activation delay)
			135○ 139	Fast dimmer curve (5 s activation delay)
			140○ 144	Smooth dimmer curve (5 s activation delay)
			145○ 255	No function
	15	Control		

DMX Values (Cont.)

14CH	Channel	Function	Value	Percent/Setting
	1	Pan	000ó 255	0–100%
	2	Fine Pan	000ó 255	Fine control (16-bit)
	3	Tilt	000ó 255	0–100%
	4	Fine Tilt	000ó 255	Fine control (16-bit)
	5	Pan/Tilt Speed	000ó 255	0–100%
	6	Dimmer	000ó 255	0–100%
	7	Shutter	000ó 019	Closed
			020ó 024	Open
			025ó 064	Fast to slow
			065ó 069	Open
			070ó 084	Fast on/ramp off
			085ó 089	Open
			090ó 104	Ramp off/fast on
			105ó 109	Open
			110ó 124	Random
			125ó 129	Open
			130ó 144	Random fast on/ramp off
			145ó 149	Open
			150ó 164	Random slow on/fast off
			165ó 169	Open
			170ó 184	Pulse
			185ó 189	Open
	190ó 204	Random pulse		
	205ó 209	Open		
	210ó 224	Fade on/off		
	225ó 229	Open		
	230ó 244	Pulse		
	245ó 255	Open		
	8	Red	000ó 255	0–100%
	9	Green	000ó 255	0–100%
	10	Blue	000ó 255	0–100%
	11	White	000ó 255	0–100%

DMX Values (Cont.)

14CH (Cont.)	Channel	Function	Value	Percent/Setting
			000 004	Open
			005 009	Color 1
			010 014	Color 2
			015 019	Color 3
			020 024	Color 4
			025 029	Color 5
			030 034	Color 6
			035 039	Color 7
			040 044	Color 8
			045 049	Color 9
			050 054	Color 10
			055 059	Color 11
			060 064	Color 12
			065 069	Color 13
			070 074	Color 14
			075 079	Color 15
			080 084	Color 16
			085 089	Color 17
			090 094	Color 18
			095 099	Color 19
			100 104	Color 20
			105 109	Color 21
			110 114	Color 22
			115 119	Color 23
			120 124	Color 24
			125 129	Color 25
			130 134	Color 26
			135 139	Color 27
			140 144	Color 28
			145 149	Color 29
			150 154	Color 30
			155 159	Color 31
			160 164	Color 32
			165 169	Color 33
			170 174	Color 34
			175 179	Closed
			180 201	Clockwise color scroll, fast to slow
			202 207	Stop on current color
			208 229	Counter-clockwise color scroll, fast to slow
			230 234	Closed
			235 249	Color scroll
			250 255	Closed
	12	Color		
	13	Zoom	000 255	0–100%

DMX Values (Cont.)

14CH (Cont.)	Channel	Function	Value	Percent/Setting
			000ó 009	No function
			010ó 014	Blackout during pan/tilt (5 s activation delay)
			015ó 019	No function
			020ó 024	No function
			025ó 029	No function
			030ó 034	No function
			035ó 039	No function
			040ó 044	No function
			045ó 049	No function
			050ó 054	Pan reset (5 s activation delay)
			055ó 059	Tilt reset (5 s activation delay)
			060ó 064	Zoom reset (5 s activation delay)
			065ó 069	No function
			070ó 074	All reset (5 s activation delay)
			075ó 079	No function
			080ó 084	Pan/Tilt movement reverse (5 s activation delay)
			085ó 089	Pan movement reverse (5 s activation delay)
			090ó 094	Tilt movement reverse (5 s activation delay)
			095ó 099	Disable Pan movement reverse (5 s activation delay)
			100ó 104	Disable Tilt movement reverse (5 s activation delay)
			105ó 109	Disable Pan/Tilt movement reverse (5 s activation delay)
			110ó 114	No function
			115ó 119	No function
			120ó 124	Economy fan (5 s activation delay)
			125ó 129	Full fan (5 s activation delay)
			130ó 134	Auto fan (5 s activation delay)
			135ó 139	Fast dimmer curve (5 s activation delay)
			140ó 144	Smooth dimmer curve (5 s activation delay)
			145ó 255	No function

14

Control

Acerca de esta Guía La Guía de Referencia Rápida (GRR) del Rogue™ R1 Wash contiene información básica sobre el producto, como conexión, montaje, opciones de menú y valores DMX. Descargue el Manual de Usuario de www.chauvetprofessional.com para información más detallada.

Exención de Responsabilidad La información y especificaciones contenidas en esta GRR están sujetas a cambio sin previo aviso.

- Notas de Seguridad**
- NO abra este producto. No contiene piezas reparables por el usuario.
 - Para evitar un desgaste innecesario y alargar su vida útil, desconecte completamente el producto de la alimentación, mediante el interruptor o desenchufándolo, durante los periodos en los que no se use.
 - Cuidado: cuando transfiera el producto desde ambientes con temperatura extrema (p. ej., del remolque frío de un camión a una sala de baile con calor y humedad), puede formarse condensación en la electrónica interna del producto. Para evitar que se produzca una avería, deje que el producto se aclimate completamente al ambiente antes de conectar la alimentación.
 - NO mire a la fuente de luz cuando el producto esté encendido.
 - CUIDADO: La carcasa de este producto puede estar caliente cuando las luces están en funcionamiento.
 - Monte este producto en una ubicación con ventilación adecuada, al menos a 20" (50 cm) de superficies adyacentes.
 - NO deje ningún material inflamable a menos de 50 cm de este producto mientras esté funcionando o conectado a la alimentación.
 - Cuidado: cuando transfiera el producto desde ambientes con temperatura extrema (p. ej., del remolque frío de un camión a una sala de baile con calor y humedad), puede formarse condensación en la electrónica interna del producto. Para evitar que se produzca una avería, deje que el producto se aclimate completamente al ambiente antes de conectar la alimentación.
 - USE un cable de seguridad cuando monte este producto en lo alto.
 - NO ponga en funcionamiento este producto en el exterior o en cualquier ubicación en la que el polvo, calor excesivo, agua o humedad puedan afectarlo. (IP20)
 - NO ponga en funcionamiento este producto si sospecha que la carcasa, lentes o cables están dañados.
 - NO conecte este producto a un atenuador o reostato.
 - Conecte este producto SOLO a un circuito con toma de tierra y protegido.
 - Use SOLAMENTE los soportes de montaje o las asas para mover este producto. NO lo transporte agarrando por la cabeza móvil.
 - En caso de un problema grave de funcionamiento, deje de usarlo inmediatamente.
 - La temperatura ambiente máxima es de 113 °F (45 °C). No haga funcionar este producto a temperaturas más altas.

- Contacto**
- Fuera de EE.UU., Reino Unido, Irlanda, México, o Benelux póngase en contacto con su distribuidor para solicitar asistencia o devolver el producto.
 - Desde dentro de EE.UU., Reino Unido, Irlanda, México, o Benelux, utilice la información de [Contact Us](#) del final de esta GRR.

- Qué va Incluido**
- Rogue™ R1 Wash
 - Cable de alimentación Neutrik® powerCON®
 - Tarjeta de garantía
 - Soporte Omega con material de montaje
 - Guía de Referencia Rápida

Corriente alterna Este producto tiene una fuente de alimentación con detección automática que puede funcionar con un rango de tensión de entrada de 100–240 VCA, 50/60 Hz.



Para evitar un desgaste innecesario y alargar su vida útil, desconecte completamente el producto de la alimentación, mediante el interruptor o desenchufándolo, durante los periodos en los que no se use.

Alimentación en Cadena Puede enlazar hasta 10 productos Rogue™ R1 Wash a 120 V, 18 productos a 208 V o 21 productos a 230 V. Nunca sobrepase este número. Los cables de alimentación en cadena se pueden adquirir por separado.

Enchufe CA

Conexión	Cable (EE.UU.)	Cable (Europa)	Color del tornillo
CA Cargado	Negro	Marrón	Amarillo/Latón
CA Neutro	Blanco	Azul	Plata
CA Tierra	Verde/Amarillo	Verde/Amarillo	Verde

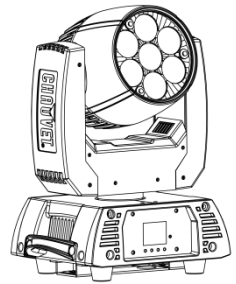
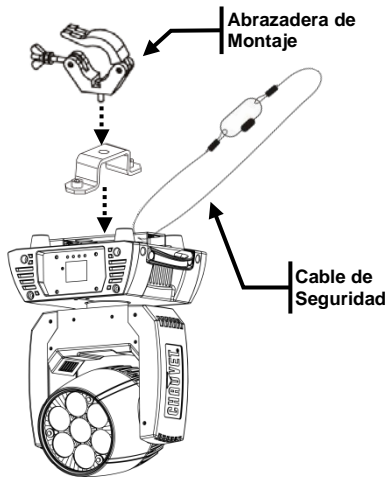
- Sustitución del Fusible**
1. Desconecte este producto de la alimentación.
 2. Utilizando un destornillador plano, desatornille la tapa del portafusibles de la carcasa.
 3. Quite el fusible fundido del portafusibles y sustitúyalo con uno nuevo del mismo tipo y categoría.
 4. Vuelva a atornillar la tapa del portafusibles en su sitio y conecte de nuevo la alimentación.

Enlace DMX El Rogue™ R1 Wash funcionará con un controlador DMX usando una conexión de datos DMX de 3 o 5 pines. Hay un Manual DMX disponible en www.chauvetprofessional.com.

Conexión DMX El Rogue™ R1 Wash usa una conexión de datos DMX de 3 o 5 pines para sus personalidades DMX: **14CH**, **15CH**, **19CH**, y **21CH**. Consulte el Manual de Usuario para más información sobre cómo conectar y configurar el producto para el funcionamiento DMX.

Montaje Antes de montar este producto, lea las [Notas de Seguridad](#). Utilice al menos dos puntos de montaje por producto. Asegúrese de que las abrazaderas de montaje (como las TRUSST® de Chauvet) son capaces de soportar el peso del producto. Para nuestra línea Chauvet de abrazaderas de montaje, visite trusst.com/productcategory/base-plates-accessories-clamps/.

Diagrama de Montaje del Producto



Montaje en Altura

Montaje en el Suelo



Cuando use una abrazadera de montaje, asegúrese de usar una abrazadera con tornillo prisionero para evitar que se afloje accidentalmente.

Descripción del Panel de Control

Botón	Función
<MENU>	Sale del menú o función actual
<ENTER>	Habilita el menú actualmente en pantalla o configura el valor seleccionado actualmente dentro de la función seleccionada
<UP>	Navega hacia arriba por la lista de menú o aumenta el valor numérico cuando está en una función
<DOWN>	Navega hacia abajo por la lista de menú o disminuye el valor numérico cuando está en una función

Mapa de Menú

Nivel Principal	Niveles de Programación		Descripción	
Address	001–512		Configura la dirección inicial DMX	
Run Mode	DMX	14CH	Selecciona la personalidad DMX	
		15CH		
		19CH		
		21CH		
	Auto Test		Inicia la secuencia de prueba del dispositivo	
	Manual Test	Pan	000–255	Permite control manual de toda la configuración desde el panel de control
		Tilt		
		Dimmer		
		Shutter		
		Red		
Green				
Blue				
White				
Setup	Pan Reverse	OFF	Invierte el funcionamiento del desplazamiento lateral	
		ON	Funcionamiento de desplazamiento lateral normal	
	Tilt Reverse	OFF	Invierte el funcionamiento de la inclinación	
		ON	Funcionamiento inclinación normal	
	Pan Angle	540	Selecciona el rango de desplazamiento lateral de 540°	
		360	Selecciona el rango de desplazamiento lateral de 360°	
		180	Selecciona el rango de desplazamiento lateral de 180°	
	Tilt Angle	230	Selecciona el rango de inclinación de 230°	
		180	Selecciona el rango de inclinación de 180°	
		90	Selecciona el rango de inclinación de 90°	
	Fans	Auto	Selecciona el modo de funcionamiento de ventilador	
		ECO		
		Full		
	Display	OFF	Determina cuánto tiempo permanecerá encendida la luz de la pantalla después de haber pulsado el último botón de comando	
ON				

Mapa de Menú (Cont.)

Nivel Principal	Niveles de Programación			Descripción	
Setup (Cont.)	Screen Rev	OFF		Gira la pantalla de control 180°	
		ON		Vista normal de la pantalla de control	
	Dimmer Curve	Linear		Atenuador lineal	
		Square		Atenuador con curva cuadrática	
		I Squa		Atenuador con curva cuadrática inversa	
		SCurve		Atenuador con curva S	
	Dimmer Speed	Smooth		Curvas de atenuador lenta (Smooth) o rápida (Fast)	
		Fast			
	Color calibration	Off			Máx. emisión cuando los canales DMX RGBW están a plena potencia
		On			Temperatura de color calibrada en fábrica cuando los canales DMX RGBW están a plena potencia
		Custom	RED	100–255	Temperatura de color calibrada manualmente cuando los canales DMX RGBW están a plena potencia
			GREEN		
	BLUE				
	Reset Function	Pan/Tilt	NO		Reinicia las funciones de desplazamiento lateral/inclinación a la posición de inicio
			YES		
Zoom		NO		Reinicia todas las funciones de zoom a la posición de inicio	
		YES			
All		NO		Reinicia todas las funciones a la posición de inicio	
		YES			
Factory Set				Devuelve el producto a su configuración de fábrica original	

Mapa de Menú (Cont.)

Nivel Principal	Niveles de Programación	Descripción
Sys Info	Ver:	Muestra en pantalla la versión de software
	Running Mode:	Muestra el modo de ejecución actual
	Dmx Address:	Muestra la dirección DMX actual
	Temperature:	Muestra la temperatura del producto en Celsius
	Fixture Time	Muestra el tiempo de funcionamiento total del producto

Valores DMX

21CH	Canal	Función	Valor	Porcentaje/Configuración
	1	Desplazamiento Lateral	000 ó 255	0–100%
	2	Desplazamiento Lateral Fino	000 ó 255	Nítido control (16-bit)
	3	Inclinación	000 ó 255	0–100%
	4	Inclinación Fina	000 ó 255	Nítido control (16-bit)
	5	Velocidad Desplazamiento Lateral/Inclinación	000 ó 255	0–100%
	6	Atenuador	000 ó 255	0–100%
	7	Atenuador Fino	000 ó 255	Nítido control (16-bit)
	8	Obturador (Shutter)	000 ó 019 Cerrado 020 ó 024 Abierto 025 ó 064 Lento a rápido 065 ó 069 Abierto 070 ó 084 Encendido rápido/apagado gradual 085 ó 089 Abierto 090 ó 104 Apagado gradual/encendido rápido 105 ó 109 Abierto 110 ó 124 Aleatorio 125 ó 129 Abierto 130 ó 144 Encendido rápido aleatorio/apagado gradual 145 ó 149 Abierto 150 ó 164 Encendido lento aleatorio/apagado rápido 165 ó 169 Abierto 170 ó 184 Pulso 185 ó 189 Abierto 190 ó 204 Pulso aleatorio 205 ó 209 Abierto 210 ó 224 Fade on/off 225 ó 229 Abierto 230 ó 244 Pulso 245 ó 255 Abierto	
	9	Rojo	000 ó 255	0–100%
	10	Rojo nítido	000 ó 255	Nítido control (16-bit)
	11	Verde	000 ó 255	0–100%
	12	Verde nítido	000 ó 255	Nítido control (16-bit)
	13	Azul	000 ó 255	0–100%
	14	Azul nítido	000 ó 255	Nítido control (16-bit)
	15	Blanco	000 ó 255	0–100%
	16	Blanco nítido	000 ó 255	Nítido control (16-bit)

Valores DMX (Cont.)

21CH (Cont.)	Canal	Función	Valor	Porcentaje/Configuración
17	Color	000 ó 004	Abierto	
		005 ó 009	Color 1	
		010 ó 014	Color 2	
		015 ó 019	Color 3	
		020 ó 024	Color 4	
		025 ó 029	Color 5	
		030 ó 034	Color 6	
		035 ó 039	Color 7	
		040 ó 044	Color 8	
		045 ó 049	Color 9	
		050 ó 054	Color 10	
		055 ó 059	Color 11	
		060 ó 064	Color 12	
		065 ó 069	Color 13	
		070 ó 074	Color 14	
		075 ó 079	Color 15	
		080 ó 084	Color 16	
		085 ó 089	Color 17	
		090 ó 094	Color 18	
		095 ó 099	Color 19	
		100 ó 104	Color 20	
		105 ó 109	Color 21	
		110 ó 114	Color 22	
		115 ó 119	Color 23	
		120 ó 124	Color 24	
		125 ó 129	Color 25	
		130 ó 134	Color 26	
		135 ó 139	Color 27	
		140 ó 144	Color 28	
		145 ó 149	Color 29	
		150 ó 154	Color 30	
		155 ó 159	Color 31	
		160 ó 164	Color 32	
165 ó 169	Color 33			
170 ó 174	Color 34			
175 ó 179	Cerrado			
180 ó 201	Desplazamiento de color en sentido horario, rápido a lento			
202 ó 207	Parar en el color actual			
208 ó 229	Desplazamiento de color en sentido antihorario, rápido a lento			
230 ó 234	Cerrado			
235 ó 249	Desplazamiento de color			
250 ó 255	Cerrado			
18	Zoom	000 ó 255	0–100%	

Valores DMX (Cont.)

21CH (Cont.)	Canal	Función	Valor	Porcentaje/Configuración
19		Macros de Movimiento	000 ó 007	Sin función
			008 ó 023	Efecto 1
			024 ó 039	Efecto 2
			040 ó 055	Efecto 3
			056 ó 071	Efecto 4
			072 ó 087	Efecto 5
			088 ó 103	Efecto 6
			104 ó 119	Efecto 7
			120 ó 135	Efecto 8
			136 ó 151	Efecto 9
			152 ó 167	Efecto 10
			168 ó 183	Efecto 11
			184 ó 199	Efecto 12
			200 ó 215	Efecto 13
			216 ó 231	Efecto 14
			232 ó 247	Efecto 15
248 ó 255	Efecto 16			
20		Velocidad de Macro de Movimiento	000 ó 255	0–100%

Valores DMX (Cont.)

21CH (Cont.)	Canal	Función	Valor	Porcentaje/Configuración
21	Control		000ó 009	Sin función
			010ó 014	Blackout durante desplazamiento lateral/inclinación (mantener 5 s)
			015ó 019	Sin función
			020ó 024	Sin función
			025ó 029	Sin función
			030ó 034	Sin función
			035ó 039	Sin función
			040ó 044	Sin función
			045ó 049	Sin función
			050ó 054	Reiniciar desplazamiento lateral (mantener 5 s)
			055ó 059	Reiniciar inclinación (mantener 5 s)
			060ó 064	Reinicio del zoom (mantener 5 s)
			065ó 069	Sin función
			070ó 074	Reiniciar todo (mantener 5 s)
			075ó 079	Sin función
			080ó 084	Invertir movimiento lateral/inclinación (mantener 5 s)
			085ó 089	Invertir movimiento lateral (mantener 5 s)
			090ó 094	Invertir movimiento de inclinación (mantener 5 s)
			095ó 099	Desactivar inversión del movimiento lateral (mantener 5 s)
			100ó 104	Desactivar inversión del movimiento de inclinación (mantener 5 s)
			105ó 109	Desactivar inversión del movimiento lateral/inclinación (mantener 5 s)
			110ó 114	Sin función
			115ó 119	Sin función
			120ó 124	Ventilador de economía (mantener 5 s)
			125ó 129	Ventilador al máximo (mantener 5 s)
			130ó 134	Ventilador automático (mantener 5 s)
			135ó 139	Curva de atenuador rápida (mantener 5 s)
	140ó 144	Curva de atenuador suave (mantener 5 s)		
	145ó 255	Sin función		

Valores DMX (Cont.)

19CH	Canal	Función	Valor	Porcentaje/Configuración
	1	Desplazamiento Lateral	000 ó 255	0–100%
	2	Desplazamiento Lateral Fino	000 ó 255	Nítido control (16-bit)
	3	Inclinación	000 ó 255	0–100%
	4	Inclinación Fina	000 ó 255	Nítido control (16-bit)
	5	Velocidad Desplazamiento Lateral/Inclinación	000 ó 255	0–100%
	6	Atenuador	000 ó 255	0–100%
	7	Atenuador Fino	000 ó 255	Nítido control (16-bit)
	8	Obturador (Shutter)	000 ó 019 Cerrado 020 ó 024 Abierto 025 ó 064 Lento a rápido 065 ó 069 Abierto 070 ó 084 Encendido rápido/apagado gradual 085 ó 089 Abierto 090 ó 104 Apagado gradual/encendido rápido 105 ó 109 Abierto 110 ó 124 Aleatorio 125 ó 129 Abierto 130 ó 144 Encendido rápido aleatorio/apagado gradual 145 ó 149 Abierto 150 ó 164 Encendido lento aleatorio/apagado rápido 165 ó 169 Abierto 170 ó 184 Pulso 185 ó 189 Abierto 190 ó 204 Pulso aleatorio 205 ó 209 Abierto 210 ó 224 Fade on/off 225 ó 229 Abierto 230 ó 244 Pulso 245 ó 255 Abierto	
	9	Rojo	000 ó 255	0–100%
	10	Rojo nítido	000 ó 255	Nítido control (16-bit)
	11	Verde	000 ó 255	0–100%
	12	Verde nítido	000 ó 255	Nítido control (16-bit)
	13	Azul	000 ó 255	0–100%
	14	Azul nítido	000 ó 255	Nítido control (16-bit)
	15	Blanco	000 ó 255	0–100%
	16	Blanco nítido	000 ó 255	Nítido control (16-bit)

Valores DMX (Cont.)

19CH (Cont.)	Canal	Función	Valor	Porcentaje/Configuración
17	Color		000 ó 004	Abierto
			005 ó 009	Color 1
			010 ó 014	Color 2
			015 ó 019	Color 3
			020 ó 024	Color 4
			025 ó 029	Color 5
			030 ó 034	Color 6
			035 ó 039	Color 7
			040 ó 044	Color 8
			045 ó 049	Color 9
			050 ó 054	Color 10
			055 ó 059	Color 11
			060 ó 064	Color 12
			065 ó 069	Color 13
			070 ó 074	Color 14
			075 ó 079	Color 15
			080 ó 084	Color 16
			085 ó 089	Color 17
			090 ó 094	Color 18
			095 ó 099	Color 19
			100 ó 104	Color 20
			105 ó 109	Color 21
			110 ó 114	Color 22
			115 ó 119	Color 23
			120 ó 124	Color 24
			125 ó 129	Color 25
			130 ó 134	Color 26
			135 ó 139	Color 27
	140 ó 144	Color 28		
	145 ó 149	Color 29		
	150 ó 154	Color 30		
	155 ó 159	Color 31		
	160 ó 164	Color 32		
	165 ó 169	Color 33		
	170 ó 174	Color 34		
	175 ó 179	Cerrado		
	180 ó 201	Desplazamiento de color en sentido horario, rápido a lento		
	202 ó 207	Parar en el color actual		
	208 ó 229	Desplazamiento de color en sentido antihorario, rápido a lento		
	230 ó 234	Cerrado		
	235 ó 249	Desplazamiento de color		
	250 ó 255	Cerrado		
18	Zoom		000 ó 255	0–100%

Valores DMX (Cont.)

19CH (Cont.)	Canal	Función	Valor	Porcentaje/Configuración
			000ó 009	Sin función
			010ó 014	Blackout durante desplazamiento lateral/inclinación (mantener 5 s)
			015ó 019	Sin función
			020ó 024	Sin función
			025ó 029	Sin función
			030ó 034	Sin función
			035ó 039	Sin función
			040ó 044	Sin función
			045ó 049	Sin función
			050ó 054	Reiniciar desplazamiento lateral (mantener 5 s)
			055ó 059	Reiniciar inclinación (mantener 5 s)
			060ó 064	Reinicio del zoom (mantener 5 s)
			065ó 069	Sin función
			070ó 074	Reiniciar todo (mantener 5 s)
			075ó 079	Sin función
			080ó 084	Invertir movimiento lateral/inclinación (mantener 5 s)
			085ó 089	Invertir movimiento lateral (mantener 5 s)
			090ó 094	Invertir movimiento de inclinación (mantener 5 s)
			095ó 099	Desactivar inversión del movimiento lateral (mantener 5 s)
			100ó 104	Desactivar inversión del movimiento de inclinación (mantener 5 s)
			105ó 109	Desactivar inversión del movimiento lateral/inclinación (mantener 5 s)
			110ó 114	Sin función
			115ó 119	Sin función
			120ó 124	Ventilador de economía (mantener 5 s)
			125ó 129	Ventilador al máximo (mantener 5 s)
			130ó 134	Ventilador automático (mantener 5 s)
			135ó 139	Curva de atenuador rápida (mantener 5 s)
			140ó 144	Curva de atenuador suave (mantener 5 s)
			145ó 255	Sin función
	19	Control		

Valores DMX (Cont.)

15CH	Canal	Función	Valor	Porcentaje/Configuración
	1	Desplazamiento Lateral	000 ó 255	0–100%
	2	Desplazamiento Lateral Fino	000 ó 255	Nítido control (16-bit)
	3	Inclinación	000 ó 255	0–100%
	4	Inclinación Fina	000 ó 255	Nítido control (16-bit)
	5	Velocidad Desplazamiento Lateral/Inclinación	000 ó 255	0–100%
	6	Atenuador	000 ó 255	0–100%
	7	Atenuador Fino	000 ó 255	Nítido control (16-bit)
	8	Obturador (Shutter)	000 ó 019 Cerrado 020 ó 024 Abierto 025 ó 064 Lento a rápido 065 ó 069 Abierto 070 ó 084 Encendido rápido/apagado gradual 085 ó 089 Abierto 090 ó 104 Apagado gradual/encendido rápido 105 ó 109 Abierto 110 ó 124 Aleatorio 125 ó 129 Abierto 130 ó 144 Encendido rápido aleatorio/apagado gradual 145 ó 149 Abierto 150 ó 164 Encendido lento aleatorio/apagado rápido 165 ó 169 Abierto 170 ó 184 Pulso 185 ó 189 Abierto 190 ó 204 Pulso aleatorio 205 ó 209 Abierto 210 ó 224 Fade on/off 225 ó 229 Abierto 230 ó 244 Pulso 245 ó 255 Abierto	
	9	Rojo	000 ó 255	0–100%
	10	Verde	000 ó 255	0–100%
	11	Azul	000 ó 255	0–100%
	12	Blanco	000 ó 255	0–100%

Valores DMX (Cont.)

15CH (Cont.)	Canal	Función	Valor	Porcentaje/Configuración
13	Color		000 ó 004	Abierto
			005 ó 009	Color 1
			010 ó 014	Color 2
			015 ó 019	Color 3
			020 ó 024	Color 4
			025 ó 029	Color 5
			030 ó 034	Color 6
			035 ó 039	Color 7
			040 ó 044	Color 8
			045 ó 049	Color 9
			050 ó 054	Color 10
			055 ó 059	Color 11
			060 ó 064	Color 12
			065 ó 069	Color 13
			070 ó 074	Color 14
			075 ó 079	Color 15
			080 ó 084	Color 16
			085 ó 089	Color 17
			090 ó 094	Color 18
			095 ó 099	Color 19
			100 ó 104	Color 20
			105 ó 109	Color 21
			110 ó 114	Color 22
			115 ó 119	Color 23
			120 ó 124	Color 24
			125 ó 129	Color 25
			130 ó 134	Color 26
			135 ó 139	Color 27
			140 ó 144	Color 28
			145 ó 149	Color 29
			150 ó 154	Color 30
			155 ó 159	Color 31
			160 ó 164	Color 32
	165 ó 169	Color 33		
	170 ó 174	Color 34		
	175 ó 179	Cerrado		
	180 ó 201	Desplazamiento de color en sentido horario, rápido a lento		
	202 ó 207	Parar en el color actual		
	208 ó 229	Desplazamiento de color en sentido antihorario, rápido a lento		
	230 ó 234	Cerrado		
	235 ó 249	Desplazamiento de color		
	250 ó 255	Cerrado		
14	Zoom		000 ó 255	0-100%

Valores DMX (Cont.)

15CH (Cont.)	Canal	Función	Valor	Porcentaje/Configuración
15	Control		000ó 009	Sin función
			010ó 014	Blackout durante desplazamiento lateral/inclinación (mantener 5 s)
			015ó 019	Sin función
			020ó 024	Sin función
			025ó 029	Sin función
			030ó 034	Sin función
			035ó 039	Sin función
			040ó 044	Sin función
			045ó 049	Sin función
			050ó 054	Reiniciar desplazamiento lateral (mantener 5 s)
			055ó 059	Reiniciar inclinación (mantener 5 s)
			060ó 064	Reinicio del zoom (mantener 5 s)
			065ó 069	Sin función
			070ó 074	Reiniciar todo (mantener 5 s)
			075ó 079	Sin función
			080ó 084	Invertir movimiento lateral/inclinación (mantener 5 s)
			085ó 089	Invertir movimiento lateral (mantener 5 s)
			090ó 094	Invertir movimiento de inclinación (mantener 5 s)
			095ó 099	Desactivar inversión del movimiento lateral (mantener 5 s)
			100ó 104	Desactivar inversión del movimiento de inclinación (mantener 5 s)
			105ó 109	Desactivar inversión del movimiento lateral/inclinación (mantener 5 s)
			110ó 114	Sin función
			115ó 119	Sin función
			120ó 124	Ventilador de economía (mantener 5 s)
			125ó 129	Ventilador al máximo (mantener 5 s)
			130ó 134	Ventilador automático (mantener 5 s)
			135ó 139	Curva de atenuador rápida (mantener 5 s)
	140ó 144	Curva de atenuador suave (mantener 5 s)		
	145ó 255	Sin función		

Valores DMX (Cont.)

14CH	Canal	Función	Valor	Porcentaje/Configuración
	1	Desplazamiento Lateral	000 ó 255	0–100%
	2	Desplazamiento Lateral Fino	000 ó 255	Nítido control (16-bit)
	3	Inclinación	000 ó 255	0–100%
	4	Inclinación Fina	000 ó 255	Nítido control (16-bit)
	5	Velocidad Desplazamiento Lateral/Inclinación	000 ó 255	0–100%
	6	Atenuador	000 ó 255	0–100%
	7	Obturador (Shutter)	000 ó 019 Cerrado 020 ó 024 Abierto 025 ó 064 Lento a rápido 065 ó 069 Abierto 070 ó 084 Encendido rápido/apagado gradual 085 ó 089 Abierto 090 ó 104 Apagado gradual/encendido rápido 105 ó 109 Abierto 110 ó 124 Aleatorio 125 ó 129 Abierto 130 ó 144 Encendido rápido aleatorio/apagado gradual 145 ó 149 Abierto 150 ó 164 Encendido lento aleatorio/apagado rápido 165 ó 169 Abierto 170 ó 184 Pulso 185 ó 189 Abierto 190 ó 204 Pulso aleatorio 205 ó 209 Abierto 210 ó 224 Fade on/off 225 ó 229 Abierto 230 ó 244 Pulso 245 ó 255 Abierto	
	8	Rojo	000 ó 255	0–100%
	9	Verde	000 ó 255	0–100%
	10	Azul	000 ó 255	0–100%
	11	Blanco	000 ó 255	0–100%

Valores DMX (Cont.)

14CH (Cont.)	Canal	Función	Valor	Porcentaje/Configuración
12	Color		000ó 004	Abierto
			005ó 009	Color 1
			010ó 014	Color 2
			015ó 019	Color 3
			020ó 024	Color 4
			025ó 029	Color 5
			030ó 034	Color 6
			035ó 039	Color 7
			040ó 044	Color 8
			045ó 049	Color 9
			050ó 054	Color 10
			055ó 059	Color 11
			060ó 064	Color 12
			065ó 069	Color 13
			070ó 074	Color 14
			075ó 079	Color 15
			080ó 084	Color 16
			085ó 089	Color 17
			090ó 094	Color 18
			095ó 099	Color 19
			100ó 104	Color 20
			105ó 109	Color 21
			110ó 114	Color 22
			115ó 119	Color 23
			120ó 124	Color 24
			125ó 129	Color 25
			130ó 134	Color 26
	135ó 139	Color 27		
	140ó 144	Color 28		
	145ó 149	Color 29		
	150ó 154	Color 30		
	155ó 159	Color 31		
	160ó 164	Color 32		
	165ó 169	Color 33		
	170ó 174	Color 34		
	175ó 179	Cerrado		
	180ó 201	Desplazamiento de color en sentido horario, rápido a lento		
	202ó 207	Parar en el color actual		
	208ó 229	Desplazamiento de color en sentido antihorario, rápido a lento		
	230ó 234	Cerrado		
	235ó 249	Desplazamiento de color		
	250ó 255	Cerrado		
13	Zoom		000ó 255	0–100%

Valores DMX (Cont.)

14CH (Cont.)	Canal	Función	Valor	Porcentaje/Configuración
			000ó 009	Sin función
			010ó 014	Blackout durante desplazamiento lateral/inclinación (mantener 5 s)
			015ó 019	Sin función
			020ó 024	Sin función
			025ó 029	Sin función
			030ó 034	Sin función
			035ó 039	Sin función
			040ó 044	Sin función
			045ó 049	Sin función
			050ó 054	Reiniciar desplazamiento lateral (mantener 5 s)
			055ó 059	Reiniciar inclinación (mantener 5 s)
			060ó 064	Reinicio del zoom (mantener 5 s)
			065ó 069	Sin función
			070ó 074	Reiniciar todo (mantener 5 s)
			075ó 079	Sin función
			080ó 084	Invertir movimiento lateral/inclinación (mantener 5 s)
	14	Control	085ó 089	Invertir movimiento lateral (mantener 5 s)
			090ó 094	Invertir movimiento de inclinación (mantener 5 s)
			095ó 099	Desactivar inversión del movimiento lateral (mantener 5 s)
			100ó 104	Desactivar inversión del movimiento de inclinación (mantener 5 s)
			105ó 109	Desactivar inversión del movimiento lateral/inclinación (mantener 5 s)
			110ó 114	Sin función
			115ó 119	Sin función
			120ó 124	Ventilador de economía (mantener 5 s)
			125ó 129	Ventilador al máximo (mantener 5 s)
			130ó 134	Ventilador automático (mantener 5 s)
			135ó 139	Curva de atenuador rápida (mantener 5 s)
			140ó 144	Curva de atenuador suave (mantener 5 s)
			145ó 255	Sin función

À Propos de ce Manuel Le Manuel de Référence (MR) du Rogue™ R1 Wash reprend des informations de base sur cet appareil notamment en matière de connexions, montage, options de menu et valeurs DMX. Téléchargez le Manuel d'Utilisation sur www.chauvetprofessional.com pour de plus amples informations.

Clause de Non-Responsabilité Les informations et caractéristiques contenues dans ce manuel sont sujettes à changement sans préavis.

Consignes de Sécurité

- N'ouvrez PAS cet appareil. Il ne contient aucun composant susceptible d'être réparé par l'utilisateur.
- Durant les périodes de non-utilisation, pour éviter tout usure inutile et pour prolonger la durée de vie, déconnectez-entièrement l'appareil en le débranchant de l'alimentation électrique ou en coupant le disjoncteur.
- ATTENTION: Lorsque l'appareil est transféré d'un environnement à température extrême à un autre (par exemple d'un camion froid vers une salle de bal chaude et humide), de la condensation peut se former sur les composants électriques internes. Pour éviter de causer des dommages, laissez l'appareil s'acclimater entièrement au milieu environnant avant de le mettre sous tension.
- Ne regardez PAS la source lumineuse lorsque l'appareil fonctionne.
- ATTENTION: le boîtier de cet appareil est brûlant lors du fonctionnement.
- Montez toujours cet appareil dans un endroit bien ventilé, à au moins, 20 pouces (50 cm) des surfaces adjacentes.
- Ne laissez AUCUNE source inflammable dans un rayon de 50 cm de l'appareil lorsque celui-ci fonctionne.
- Attention : Lorsque l'appareil est transféré d'un environnement à température extrême à un autre (par exemple d'un camion froid vers une salle de bal chaude et humide), de la condensation peut se former sur les composants électriques internes. Pour éviter de causer des dommages, laissez l'appareil s'acclimater ENTièrement au milieu environnant avant de le mettre sous tension.
- Utilisez TOUJOURS un câble de sécurité (inclus) lorsque vous montez cet appareil en hauteur.
- N'utilisez PAS cet appareil en extérieur ou tout autre endroit où de la poussière, une chaleur excessive, de l'eau ou de l'humidité pour en affecter le fonctionnement. (IP20)
- N'utilisez PAS cet appareil si le boîtier, les lentilles ou les câbles vous semblent endommagés.
- Ne connectez PAS cet appareil ni à un gradateur ni à un rhéostat.
- Connectez UNIQUEMENT cet appareil à un circuit protégé et relié à la terre.
- Transportez/Suspendez cet appareil UNIQUEMENT par le support de montage dont il est doté.
- En cas de sérieux problèmes de fonctionnement, arrêtez le système immédiatement.
- La température ambiante maximale supportée par cet appareil est de 113 °F (45 °C). Ne le faites pas fonctionner à des températures plus élevées.

Contact

- En dehors des États-Unis, du Royaume-Uni, de l'Irlande, du Mexique, et du Benelux contactez votre fournisseur si vous avez besoin d'assistance ou de retourner votre appareil.
- Consultez le site [Contact Us](#) pour trouver nos coordonnées.

- Ce Qui est Inclus**
- Rogue™ R1 Wash
 - Un Cordon d'Alimentation powerCON® de Neutrik®
 - Une fiche de garantie
 - Fixation Omega sans matériel de montage
 - Un manuel de référence

Alimentation CA Cet appareil est doté d'une alimentation universelle prenant en charge toute tension d'entrée comprise entre 100 et 240 VCA, 50/60 Hz.



Durant les périodes de non-utilisation, pour éviter tout usure inutile et pour prolonger la durée de vie, déconnectez-entièrement l'appareil en le débranchant de l'alimentation électrique ou en coupant le disjoncteur.

Connexion Électrique Vous pouvez connecter entre eux jusqu'à 10 Rogue™ R1 Wash à 120 V, 18 unités à 208 V ou 21 unités à 230 V. Ne dépassez jamais cette limite. Vous pouvez vous procurer séparément des cordons d'alimentation de raccordement.

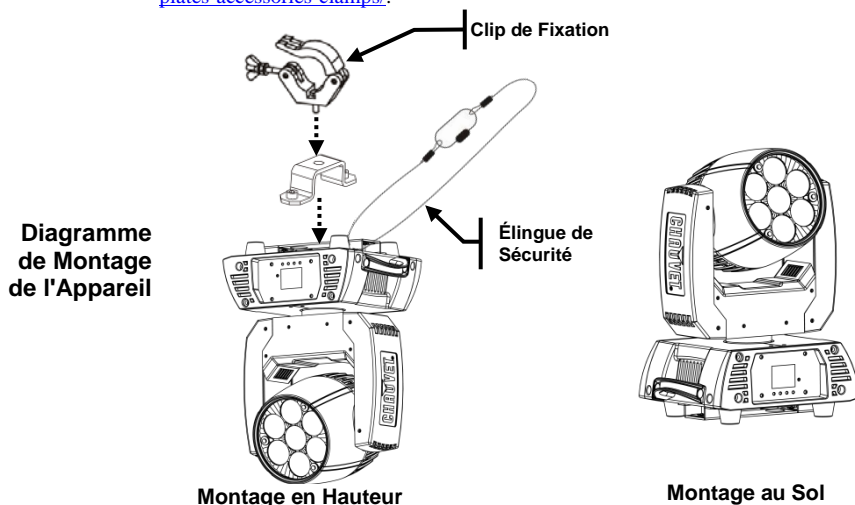
Prise CA	Connexion	Câble (États-Unis)	Câble (Europe)	Couleur de la vis
	Conducteur CA	Noir	Marron	Jaune/Cuivré
	Neutre CA	Blanc	Bleu	Argenté
	Terre CA	Vert/Jaune	Vert/Jaune	Vert

- Remplacement du Fusible**
1. Débranchez l'appareil de l'alimentation.
 2. À l'aide d'un tournevis à tête plate, dévissez le couvercle du porte-fusible du boîtier.
 3. Retirez le fusil obsolète et remplacez-le par un fusible en bon état de même type et ampérage.
 4. Revissez le couvercle du porte-fusible et rebranchez l'unité.

Raccordement DMX Le Rogue™ R1 Wash fonctionnera conjointement avec un jeu d'orgues DMX doté d'une connexion de donnée DMX à 3 ou 5 broches. Une introduction au DMX est à votre disposition sur www.chauvetprofessional.com.

Connexion DMX Le Rogue™ R1 Wash utilise une connexion de donnée DMX à 3 ou 5 broches pour ses personnalités DMX : **14CH**, **15CH**, **19CH**, et **21CH**. Vous trouverez les instructions de connexion et configuration de cet appareil pour un bon fonctionnement en DMX dans le manuel d'utilisation.

Installation Avant de monter cet appareil, lisez et assimilez les [consignes de sécurité](#). Utilisez au moins deux points de montage pour cet appareil. Veillez à ce que les fixations (comme les TRUSST® de Chauvet) sont capables de supporter le poids de l'unité. Découvrez notre gamme de fixations Chauvet sur trusst.com/productcategory/base-plates-accessories-clamps/.



Lorsqu'une seule fixation est utilisée, veillez à ce qu'elle le soit avec un boulon captif afin d'éviter tout dévissage accidentel.

Description du Tableau de Commandes

Bouton	Fonction
<MENU>	Permet la sortie du menu ou de la fonction en cours
<ENTER>	Permet l'affichage du menu en cours ou permet de configurer la valeur en cours dans la fonction sélectionnée
<UP>	Permet de parcourir les listes de menu vers le haut, dans une fonction permet d'augmenter les valeurs numériques
<DOWN>	Permet de parcourir les listes de menu vers le bas, dans une fonction permet de diminuer les valeurs numériques

Tableau de Menu

Niveau Principal	Niveaux de Programmation		Description	
Address	001–512		Configure l'adresse DMX de départ	
Run Mode	DMX	14CH	Sélectionne le mode DMX	
		15CH		
		19CH		
		21CH		
	Auto Test		Lance la séquence de test de l'appareil	
	Manual Test	Pan	000–255	Permet de commander manuellement tous les paramètres du panneau de commande
		Tilt		
		Dimmer		
		Shutter		
		Red		
Green				
Blue				
White				
Setup	Pan Reverse	OFF	Fonctionnement inversé du pan	
		ON	Fonctionnement normal du pan	
	Tilt Reverse	OFF	Fonctionnement inversé du tilt	
		ON	Fonctionnement normal du tilt	
	Pan Angle	540	Sélectionne une plage d'angle de pan à 540°	
		360	Sélectionne une plage d'angle de pan à 360°	
		180	Sélectionne une plage d'angle de pan à 180°	
	Tilt Angle	230	Sélectionne une plage d'angle de tilt à 230°	
		180	Sélectionne une plage d'angle de tilt à 180°	
		90	Sélectionne une plage d'angle de tilt à 90°	
	Fans	Auto	Permet de sélectionner le mode de fonctionnement du ventilateur.	
		ECO		
		Full		
Display	OFF	Détermine si oui ou non le rétro-éclairage de l'écran reste actif après la dernière appuiez sur le bouton		
	ON			

Tableau de Menu (Suite)

Niveau Principal	Niveaux de Programmation			Description	
Setup (Suite)	Screen Rev	OFF		Fait pivoter l'écran de commandes de 180°	
		ON		Vue normale de l'écran de commandes	
	Dimmer Curve	Linear		Assombrissement linéaire	
		Square		Courbe d'assombrissement en escalier	
		I Squa		Courbe d'assombrissement en escalier inverse	
		SCurve		Courbe d'assombrissement en S	
	Dimmer Speed	Smooth		Courbes d'assombrissement lentes (Smooth) ou rapides (Fast)	
		Fast			
	Color calibration	Off			Puissance maximale lorsque les canaux DMX RGBW sont au maximum
		On			Température de couleur calibrée en usine lorsque les canaux DMX RGBW sont au maximum
		Custom	RED GREEN BLUE	100-255	Calibrage manuel de couleur lorsque les canaux DMX RGBW sont au maximum
	Reset Function	Pan/Tilt	NO		Réinitialise les fonctions pan et tilt à leurs positions de départ
			YES		
		Zoom	NO		Réinitialise toutes les fonction de zoom, à leurs positions de départ
			YES		
		All	NO		Réinitialise toutes les fonctions à leurs positions de départ
			YES		
Factory Set				Réinitialise l'unité à sa configuration d'usine	
Sys Info	Ver:			Affiche la version logicielle	
	Running Mode:			Affiche le mode actuel de fonctionnement	
	Dmx Address:			Affiche l'adresse DMX actuelle	
	Temperature:			Affiche la température de l'unité en Celsius	
	Fixture Time			Affiche la durée de fonctionnement totale de l'appareil	

Valeurs DMX

21CH	Canal	Fonction	Valeur	Pourcentage/Configuration
	1	Pan	000ó 255	0–100%
	2	Pan Précis	000ó 255	Contrôle précis (16-bit)
	3	Tilt	000ó 255	0–100%
	4	Tilt Précis	000ó 255	Contrôle précis (16-bit)
	5	Vitesse Pan/Tilt	000ó 255	0–100%
	6	Gradateur	000ó 255	0–100%
	7	Gradateur Fin	000ó 255	Contrôle précis (16-bit)
	8	Obturateur	000ó 019	Fermé
			020ó 024	Ouvert
			025ó 064	Lent à rapide
			065ó 069	Ouvert
			070ó 084	Activation rapide/désactivation modulée
			085ó 089	Ouvert
			090ó 104	Désactivation modulée/activation rapide
			105ó 109	Ouvert
			110ó 124	Aléatoire
			125ó 129	Ouvert
			130ó 144	Activation rapide/désactivation modulée en mode aléatoire
			145ó 149	Ouvert
			150ó 164	Activation lente/désactivation rapide en mode aléatoire
			165ó 169	Ouvert
			170ó 184	Pulsation
			185ó 189	Ouvert
	190ó 204	Pulsation aléatoire		
	205ó 209	Ouvert		
	210ó 224	Activation/désactivation en fondu		
	225ó 229	Ouvert		
	230ó 244	Pulsation		
	245ó 255	Ouvert		
	9	Rouge	000ó 255	0–100%
	10	Rouge fin	000ó 255	Contrôle précis (16-bit)
	11	Vert	000ó 255	0–100%
	12	Vert fin	000ó 255	Contrôle précis (16-bit)
	13	Bleu	000ó 255	0–100%
	14	Bleu fin	000ó 255	Contrôle précis (16-bit)
	15	Blanc	000ó 255	0–100%
	16	Blanc fin	000ó 255	Contrôle précis (16-bit)

Valeurs DMX (Suite)

21CH (Suite)	Canal	Fonction	Valeur	Pourcentage/Configuration
17	Couleur	000	004	Ouvert
		005	009	Couleur 1
		010	014	Couleur 2
		015	019	Couleur 3
		020	024	Couleur 4
		025	029	Couleur 5
		030	034	Couleur 6
		035	039	Couleur 7
		040	044	Couleur 8
		045	049	Couleur 9
		050	054	Couleur 10
		055	059	Couleur 11
		060	064	Couleur 12
		065	069	Couleur 13
		070	074	Couleur 14
		075	079	Couleur 15
		080	084	Couleur 16
		085	089	Couleur 17
		090	094	Couleur 18
		095	099	Couleur 19
		100	104	Couleur 20
		105	109	Couleur 21
		110	114	Couleur 22
		115	119	Couleur 23
		120	124	Couleur 24
		125	129	Couleur 25
		130	134	Couleur 26
135	139	Couleur 27		
140	144	Couleur 28		
145	149	Couleur 29		
150	154	Couleur 30		
155	159	Couleur 31		
160	164	Couleur 32		
165	169	Couleur 33		
170	174	Couleur 34		
175	179	Ouvert		
180	201	Défilement horaire de couleur, rapide à lent		
202	207	Arrêt sur la couleur courante		
208	229	Défilement antihoraire de couleur, rapide à lent		
230	234	Ouvert		
235	249	Défilement de couleur		
250	255	Ouvert		
18	Zoom	000	255	0–100%

Valeurs DMX (Suite)

21CH (Suite)	Canal	Fonction	Valeur	Pourcentage/Configuration
19		Macros de Mouvements	000ó 007	Pas de fonction
			008ó 023	Effet 1
			024ó 039	Effet 2
			040ó 055	Effet 3
			056ó 071	Effet 4
			072ó 087	Effet 5
			088ó 103	Effet 6
			104ó 119	Effet 7
			120ó 135	Effet 8
			136ó 151	Effet 9
			152ó 167	Effet 10
			168ó 183	Effet 11
			184ó 199	Effet 12
			200ó 215	Effet 13
			216ó 231	Effet 14
			232ó 247	Effet 15
248ó 255	Effet 16			
20		Vitesse Macros de Mouvements	000ó 255	0–100%
21		Commande	000ó 009	Pas de fonction
			010ó 014	Noir général en pan/tilt (5 s pause)
			015ó 019	Pas de fonction
			020ó 024	Pas de fonction
			025ó 029	Pas de fonction
			030ó 034	Pas de fonction
			035ó 039	Pas de fonction
			040ó 044	Pas de fonction
			045ó 049	Pas de fonction
			050ó 054	Réinitialisation du balayage (5 s pause)
			055ó 059	Réinitialisation du basculement (5 s pause)
			060ó 064	Réinitialisation du zoom (5 s pause)
			065ó 069	Pas de fonction
			070ó 074	Réinitialisation totale (5 s pause)
			075ó 079	Pas de fonction
			080ó 084	Mouvement balayage/basculement inverse (5 s pause)
			085ó 089	Mouvement balayage inverse (5 s pause)
			090ó 094	Mouvement basculement inverse (5 s pause)
			095ó 099	Désactivation du mouvement balayage inverse (5 s pause)
			100ó 104	Désactivation du mouvement basculement inverse (5 s pause)
			105ó 109	Désactivation du mouvement balayage/basculement inverse (5 s pause)
			110ó 114	Pas de fonction
			115ó 119	Pas de fonction
			120ó 124	Ventilateur de l'economie (5 s pause)
			125ó 129	Ventilateur au maximum (5 s pause)
			130ó 134	Ventilateur auto-régulé (5 s pause)
135ó 139	Courbe d'assombrissement rapide (5 s pause)			
140ó 144	Courbe d'assombrissement douce (5 s pause)			
145ó 255	Pas de fonction			

Valeurs DMX (Suite)

19CH	Canal	Fonction	Valeur	Pourcentage/Configuration
	1	Pan	000ó 255	0–100%
	2	Pan Précis	000ó 255	Contrôle précis (16-bit)
	3	Tilt	000ó 255	0–100%
	4	Tilt Précis	000ó 255	Contrôle précis (16-bit)
	5	Vitesse Pan/Tilt	000ó 255	0–100%
	6	Gradateur	000ó 255	0–100%
	7	Gradateur Fin	000ó 255	Contrôle précis (16-bit)
	8	Obturateur	000ó 019 Fermé 020ó 024 Ouvert 025ó 064 Lent à rapide 065ó 069 Ouvert 070ó 084 Activation rapide/désactivation modulée 085ó 089 Ouvert 090ó 104 Désactivation modulée/activation rapide 105ó 109 Ouvert 110ó 124 Aléatoire 125ó 129 Ouvert 130ó 144 Activation rapide/désactivation modulée en mode aléatoire 145ó 149 Ouvert 150ó 164 Activation lente/désactivation rapide en mode aléatoire 165ó 169 Ouvert 170ó 184 Pulsation 185ó 189 Ouvert 190ó 204 Pulsation aléatoire 205ó 209 Ouvert 210ó 224 Activation/désactivation en fondu 225ó 229 Ouvert 230ó 244 Pulsation 245ó 255 Ouvert	
	9	Rouge	000ó 255	0–100%
	10	Rouge fin	000ó 255	Contrôle précis (16-bit)
	11	Vert	000ó 255	0–100%
	12	Vert fin	000ó 255	Contrôle précis (16-bit)
	13	Bleu	000ó 255	0–100%
	14	Bleu fin	000ó 255	Contrôle précis (16-bit)
	15	Blanc	000ó 255	0–100%
	16	Blanc fin	000ó 255	Contrôle précis (16-bit)

Valeurs DMX (Suite)

19CH (Suite)	Canal	Fonction	Valeur	Pourcentage/Configuration
17		Couleur	000 004	Ouvert
			005 009	Couleur 1
			010 014	Couleur 2
			015 019	Couleur 3
			020 024	Couleur 4
			025 029	Couleur 5
			030 034	Couleur 6
			035 039	Couleur 7
			040 044	Couleur 8
			045 049	Couleur 9
			050 054	Couleur 10
			055 059	Couleur 11
			060 064	Couleur 12
			065 069	Couleur 13
			070 074	Couleur 14
			075 079	Couleur 15
			080 084	Couleur 16
			085 089	Couleur 17
			090 094	Couleur 18
			095 099	Couleur 19
			100 104	Couleur 20
			105 109	Couleur 21
			110 114	Couleur 22
			115 119	Couleur 23
			120 124	Couleur 24
			125 129	Couleur 25
			130 134	Couleur 26
			135 139	Couleur 27
			140 144	Couleur 28
			145 149	Couleur 29
			150 154	Couleur 30
			155 159	Couleur 31
			160 164	Couleur 32
			165 169	Couleur 33
170 174	Couleur 34			
175 179	Ouvert			
180 201	Défilement horaire de couleur, rapide à lent			
202 207	Arrêt sur la couleur courante			
208 229	Défilement antihoraire de couleur, rapide à lent			
230 234	Ouvert			
235 249	Défilement de couleur			
250 255	Ouvert			
18	Zoom		000 255	0–100%

Valeurs DMX (Suite)

19CH (Suite)	Canal	Fonction	Valeur	Pourcentage/Configuration
			000ó 009	Pas de fonction
			010ó 014	Noir général en pan/tilt (5 s pause)
			015ó 019	Pas de fonction
			020ó 024	Pas de fonction
			025ó 029	Pas de fonction
			030ó 034	Pas de fonction
			035ó 039	Pas de fonction
			040ó 044	Pas de fonction
			045ó 049	Pas de fonction
			050ó 054	Réinitialisation du balayage (5 s pause)
			055ó 059	Réinitialisation du basculement (5 s pause)
			060ó 064	Réinitialisation du zoom (5 s pause)
			065ó 069	Pas de fonction
			070ó 074	Réinitialisation totale (5 s pause)
			075ó 079	Pas de fonction
			080ó 084	Mouvement balayage/basculement inverse (5 s pause)
			085ó 089	Mouvement balayage inverse (5 s pause)
			090ó 094	Mouvement basculement inverse (5 s pause)
			095ó 099	Désactivation du mouvement balayage inverse (5 s pause)
			100ó 104	Désactivation du mouvement basculement inverse (5 s pause)
			105ó 109	Désactivation du mouvement balayage/basculement inverse (5 s pause)
			110ó 114	Pas de fonction
			115ó 119	Pas de fonction
			120ó 124	Ventilateur de l'economie (5 s pause)
			125ó 129	Ventilateur au maximum (5 s pause)
			130ó 134	Ventilateur auto-régulé (5 s pause)
			135ó 139	Courbe d'assombrissement rapide (5 s pause)
			140ó 144	Courbe d'assombrissement douce (5 s pause)
			145ó 255	Pas de fonction
	19	Commande		

Valeurs DMX (Suite)

15CH	Canal	Fonction	Valeur	Pourcentage/Configuration
	1	Pan	000ó 255	0–100%
	2	Pan Précis	000ó 255	Contrôle précis (16-bit)
	3	Tilt	000ó 255	0–100%
	4	Tilt Précis	000ó 255	Contrôle précis (16-bit)
	5	Vitesse Pan/Tilt	000ó 255	0–100%
	6	Gradateur	000ó 255	0–100%
	7	Gradateur Fin	000ó 255	Contrôle précis (16-bit)
	8	Obturbateur	000ó 019	Fermé
			020ó 024	Ouvert
			025ó 064	Lent à rapide
			065ó 069	Ouvert
			070ó 084	Activation rapide/désactivation modulée
			085ó 089	Ouvert
			090ó 104	Désactivation modulée/activation rapide
			105ó 109	Ouvert
			110ó 124	Aléatoire
			125ó 129	Ouvert
			130ó 144	Activation rapide/désactivation modulée en mode aléatoire
			145ó 149	Ouvert
			150ó 164	Activation lente/désactivation rapide en mode aléatoire
			165ó 169	Ouvert
			170ó 184	Pulsation
	185ó 189	Ouvert		
	190ó 204	Pulsation aléatoire		
	205ó 209	Ouvert		
	210ó 224	Activation/désactivation en fondu		
	225ó 229	Ouvert		
	230ó 244	Pulsation		
	245ó 255	Ouvert		
	9	Rouge	000ó 255	0–100%
	10	Vert	000ó 255	0–100%
	11	Bleu	000ó 255	0–100%
	12	Blanc	000ó 255	0–100%

Valeurs DMX (Suite)

15CH (Suite)	Canal	Fonction	Valeur	Pourcentage/Configuration
13	Couleur	000	004	Ouvert
		005	009	Couleur 1
		010	014	Couleur 2
		015	019	Couleur 3
		020	024	Couleur 4
		025	029	Couleur 5
		030	034	Couleur 6
		035	039	Couleur 7
		040	044	Couleur 8
		045	049	Couleur 9
		050	054	Couleur 10
		055	059	Couleur 11
		060	064	Couleur 12
		065	069	Couleur 13
		070	074	Couleur 14
		075	079	Couleur 15
		080	084	Couleur 16
		085	089	Couleur 17
		090	094	Couleur 18
		095	099	Couleur 19
		100	104	Couleur 20
		105	109	Couleur 21
		110	114	Couleur 22
		115	119	Couleur 23
		120	124	Couleur 24
		125	129	Couleur 25
		130	134	Couleur 26
		135	139	Couleur 27
		140	144	Couleur 28
		145	149	Couleur 29
150	154	Couleur 30		
155	159	Couleur 31		
160	164	Couleur 32		
165	169	Couleur 33		
170	174	Couleur 34		
175	179	Ouvert		
180	201	Défilement horaire de couleur, rapide à lent		
202	207	Arrêt sur la couleur courante		
208	229	Défilement antihoraire de couleur, rapide à lent		
230	234	Ouvert		
235	249	Défilement de couleur		
250	255	Ouvert		
14	Zoom	000	255	0–100%

Valeurs DMX (Suite)

15CH (Suite)	Canal	Fonction	Valeur	Pourcentage/Configuration
			000ó 009	Pas de fonction
			010ó 014	Noir général en pan/tilt (5 s pause)
			015ó 019	Pas de fonction
			020ó 024	Pas de fonction
			025ó 029	Pas de fonction
			030ó 034	Pas de fonction
			035ó 039	Pas de fonction
			040ó 044	Pas de fonction
			045ó 049	Pas de fonction
			050ó 054	Réinitialisation du balayage (5 s pause)
			055ó 059	Réinitialisation du basculement (5 s pause)
			060ó 064	Réinitialisation du zoom (5 s pause)
			065ó 069	Pas de fonction
			070ó 074	Réinitialisation totale (5 s pause)
			075ó 079	Pas de fonction
			080ó 084	Mouvement balayage/basculement inverse (5 s pause)
	15	Commande	085ó 089	Mouvement balayage inverse (5 s pause)
			090ó 094	Mouvement basculement inverse (5 s pause)
			095ó 099	Désactivation du mouvement balayage inverse (5 s pause)
			100ó 104	Désactivation du mouvement basculement inverse (5 s pause)
			105ó 109	Désactivation du mouvement balayage/basculement inverse (5 s pause)
			110ó 114	Pas de fonction
			115ó 119	Pas de fonction
			120ó 124	Ventilateur de l'economie (5 s pause)
			125ó 129	Ventilateur au maximum (5 s pause)
			130ó 134	Ventilateur auto-régulé (5 s pause)
			135ó 139	Courbe d'assombrissement rapide (5 s pause)
			140ó 144	Courbe d'assombrissement douce (5 s pause)
			145ó 255	Pas de fonction

Valeurs DMX (Suite)

14CH	Canal	Fonction	Valeur	Pourcentage/Configuration
	1	Pan	000ó 255	0–100%
	2	Pan Précis	000ó 255	Contrôle précis (16-bit)
	3	Tilt	000ó 255	0–100%
	4	Tilt Précis	000ó 255	Contrôle précis (16-bit)
	5	Vitesse Pan/Tilt	000ó 255	0–100%
	6	Gradateur	000ó 255	0–100%
	7	Obturateur	000ó 019 Fermé 020ó 024 Ouvert 025ó 064 Lent à rapide 065ó 069 Ouvert 070ó 084 Activation rapide/désactivation modulée 085ó 089 Ouvert 090ó 104 Désactivation modulée/activation rapide 105ó 109 Ouvert 110ó 124 Aléatoire 125ó 129 Ouvert 130ó 144 Activation rapide/désactivation modulée en mode aléatoire 145ó 149 Ouvert 150ó 164 Activation lente/désactivation rapide en mode aléatoire 165ó 169 Ouvert 170ó 184 Pulsation 185ó 189 Ouvert 190ó 204 Pulsation aléatoire 205ó 209 Ouvert 210ó 224 Activation/désactivation en fondu 225ó 229 Ouvert 230ó 244 Pulsation 245ó 255 Ouvert	
	8	Rouge	000ó 255	0–100%
	9	Vert	000ó 255	0–100%
	10	Bleu	000ó 255	0–100%
	11	Blanc	000ó 255	0–100%

Valeurs DMX (Suite)

14CH (Suite)	Canal	Fonction	Valeur	Pourcentage/Configuration
12	Couleur	000 004	Ouvert	
		005 009	Couleur 1	
		010 014	Couleur 2	
		015 019	Couleur 3	
		020 024	Couleur 4	
		025 029	Couleur 5	
		030 034	Couleur 6	
		035 039	Couleur 7	
		040 044	Couleur 8	
		045 049	Couleur 9	
		050 054	Couleur 10	
		055 059	Couleur 11	
		060 064	Couleur 12	
		065 069	Couleur 13	
		070 074	Couleur 14	
		075 079	Couleur 15	
		080 084	Couleur 16	
		085 089	Couleur 17	
		090 094	Couleur 18	
		095 099	Couleur 19	
		100 104	Couleur 20	
		105 109	Couleur 21	
		110 114	Couleur 22	
		115 119	Couleur 23	
		120 124	Couleur 24	
		125 129	Couleur 25	
		130 134	Couleur 26	
		135 139	Couleur 27	
		140 144	Couleur 28	
		145 149	Couleur 29	
		150 154	Couleur 30	
		155 159	Couleur 31	
		160 164	Couleur 32	
		165 169	Couleur 33	
170 174	Couleur 34			
175 179	Ouvert			
180 201	Défilement horaire de couleur, rapide à lent			
202 207	Arrêt sur la couleur courante			
208 229	Défilement antihoraire de couleur, rapide à lent			
230 234	Ouvert			
235 249	Défilement de couleur			
250 255	Ouvert			
13	Zoom	000 255	0-100%	

Valeurs DMX (Suite)

14CH (Suite)	Canal	Fonction	Valeur	Pourcentage/Configuration
			000ó 009	Pas de fonction
			010ó 014	Noir général en pan/tilt (5 s pause)
			015ó 019	Pas de fonction
			020ó 024	Pas de fonction
			025ó 029	Pas de fonction
			030ó 034	Pas de fonction
			035ó 039	Pas de fonction
			040ó 044	Pas de fonction
			045ó 049	Pas de fonction
			050ó 054	Réinitialisation du balayage (5 s pause)
			055ó 059	Réinitialisation du basculement (5 s pause)
			060ó 064	Réinitialisation du zoom (5 s pause)
			065ó 069	Pas de fonction
			070ó 074	Réinitialisation totale (5 s pause)
			075ó 079	Pas de fonction
			080ó 084	Mouvement balayage/basculement inverse (5 s pause)
			085ó 089	Mouvement balayage inverse (5 s pause)
			090ó 094	Mouvement basculement inverse (5 s pause)
			095ó 099	Désactivation du mouvement balayage inverse (5 s pause)
			100ó 104	Désactivation du mouvement basculement inverse (5 s pause)
			105ó 109	Désactivation du mouvement balayage/basculement inverse (5 s pause)
			110ó 114	Pas de fonction
			115ó 119	Pas de fonction
			120ó 124	Ventilateur de l'economie (5 s pause)
			125ó 129	Ventilateur au maximum (5 s pause)
			130ó 134	Ventilateur auto-régulé (5 s pause)
			135ó 139	Courbe d'assombrissement rapide (5 s pause)
			140ó 144	Courbe d'assombrissement douce (5 s pause)
			145ó 255	Pas de fonction

Over deze handleiding De Rogue™ R1 Wash Beknopte Handleiding (BH) bevat basisinformatie over het product, zoals aansluiting, montage, menu-opties en DMX-waarden. Download de gebruikershandleiding op www.chauvetprofessional.com voor meer informatie.

Disclaimer De informatie en specificaties in deze BH kunnen zonder voorafgaande kennisgeving worden gewijzigd.

- Veiligheidsinstructies**
- Open het product NIET. Het bevat geen te onderhouden onderdelen.
 - Om onnodige slijtage te elimineren en zijn levensduur te verlengen, gedurende perioden wanneer het product niet wordt gebruikt, moet u het product van de stroom afsluiten door een aardlekschakelaar om te zetten of door het te ontkoppelen.
 - LET OP: Bij het verplaatsen van het product uit extreme omgevingen, (bijv. koude vrachtwagen naar warme, vochtige balzaal) kan er condensvorming optreden op de elektronica van het product. Om storingen te vermijden moet het product volledig kunnen acclimatiseren aan de omgeving voordat het op stroom wordt aangesloten.
 - KIJK NIET in de lichtbron wanneer het apparaat is ingeschakeld.
 - LET OP: De behuizing van dit product kan heet zijn wanneer het in bedrijf is.
 - Monteer dit product op een plek met voldoende ventilatie, ten minste 50 cm van de aangrenzende oppervlakken.
 - Plaats geen ontvlambaar materiaal binnen 50 cm van dit product als het in gebruik is of is aangesloten op het stopcontact.
 - LET OP: Bij het verplaatsen van het product uit extreme omgevingen, (bijv. koude vrachtwagen naar warme, vochtige balzaal) kan er condensvorming optreden op de elektronica van het product. Om storingen te vermijden moet het product volledig kunnen acclimatiseren aan de omgeving voordat het op stroom wordt aangesloten.
 - GEBRUIK een veiligheidskabel bij het boven het hoofd plaatsen van dit product.
 - Gebruik dit product NIET buitenshuis of op een locatie waar stof, grote warmte, water of vochtigheid het kunnen beïnvloeden. (IP20)
 - Gebruik dit product NIET als de behuizing, lenzen of kabels beschadigd lijken.
 - Sluit dit product NIET aan op een dimmer of een regelweerstand.
 - Sluit dit product UITSLUITEND op een geaard en beveiligd stroomcircuit.
 - Gebruik UITSLUITEND de ophang-/montagebeugel of de hendels om dit product te dragen. Draag het product niet aan de bewegende kop.
 - Stop in het geval van ernstige operationele problemen onmiddellijk met het gebruik.
 - De maximale omgevingstemperatuur bedraagt 45 °C. Gebruik dit product niet bij hogere temperaturen.

Contact

- Van buiten de VS, Verenigd Koninkrijk, Ierland, Mexico, of Benelux kunt u contact opnemen met de distributeur of om ondersteuning vragen dan wel het product retourneren.
- Maak vanuit de VS, het VK, Ierland, Mexico of Benelux gebruik van de informatie onder [Neem contact met ons op](#) aan het einde van deze BH.

Wat is inbegrepen

- Rogue™ R1 Wash
- Neutrik® powerCON® stroomsnoer
- Omegabeugel met bevestigingsapparatuur
- Garantiekaart
- Beknopte handleiding

AC-stroom Dit product heeft een voeding met automatisch bereik die werkt met een ingangsspanning van 100–240 VAC, 50/60 Hz.

Power Linking U kunt tot 10 Rogue™ R1 Wash -producten koppelen bij 120 V, 18 producten bij 208 V of 21 producten bij 230 V. Dit aantal niet overschrijden. Power Linking-snoeren kunnen apart aangeschaft worden.

AC-stekker	Aansluiting	Snoer (VS)	Snoer (Europa)	Schroefkleur
	AC Live	Zwart	Bruin	Geel/messing
	AC Neutraal	Wit	Blauw	Zilver
	AC Aarde	Groen/geel	Groen/geel	Groen



Om onnodige slijtage te elimineren en zijn levensduur te verlengen, gedurende perioden wanneer het product niet wordt gebruikt, moet u het product van de stroom afsluiten door een aardlekschakelaar om te zetten of door het te ontkoppelen.

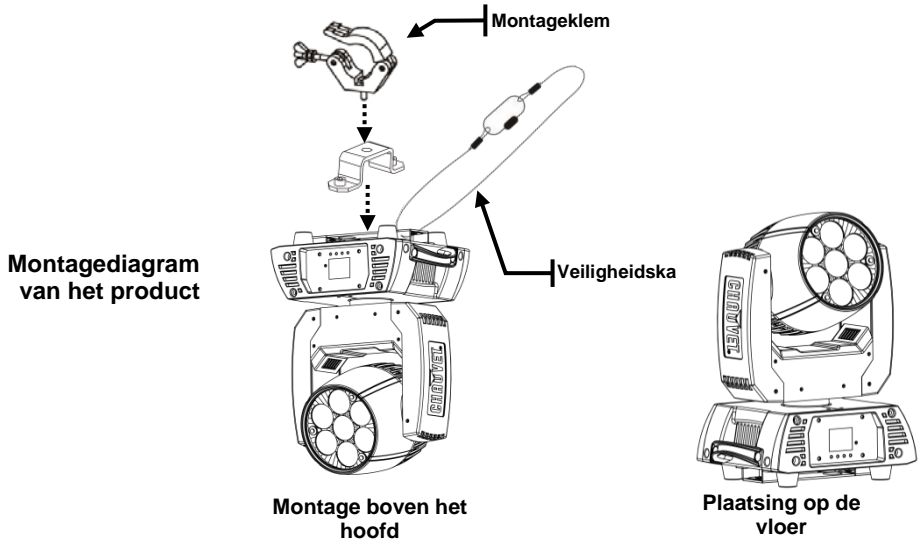
De zekering vervangen

1. Ontkoppel dit product van de stroom.
2. Gebruik een platkopschroevendraaier en schroef de kap van de zekeringhouder los van de behuizing.
3. Verwijder de doorgebrande zekering en vervang het met een werkende zekering van hetzelfde type en met dezelfde waarde.
4. Schroef de kap van de zekeringhouder terug en steek de stekker er weer in.

DMX-koppeling De Rogue™ R1 wash kan met een DMX-controller werken met een 3-pins of 5-pins seriële DMX-verbinding. Op www.chauvetprofessional.com is een DMX-basishandleiding verkrijgbaar.

DMX-aansluiting De Rogue™ R1 Wash gebruikt een 3- of 5-pins normale DMX-gegevensverbinding voor zijn DMX-persoonlijkheden: **14CH**, **15CH**, **19CH**, en **21CH**. Zie de gebruikershandleiding voor meer informatie over het verbinden en configureren van het product voor DMX-werking.

Montage Lees alvorens dit product te monteren alle [Veiligheidsvoorschriften](#). Gebruik ten minste één montagepunt per product. Controleer of de montageklemmen (zoals TRUSST®-klemmen van Chauvet) het gewicht van het product kunnen dragen. Ga voor onze Chauvet-serie montageklemmen naar www.trusst.com/productcategory/accessories-clamps/.



Als slechts één montageklem wordt gebruikt, moet een klem met een borgbout gebruikt worden, om onopzettelijk loskomen te vermijden.

Beschrijving bedieningspaneel

Toets	Functie
<MENU>	Sluit het huidige menu of functie af
<ENTER>	Activeert het huidige getoonde menu of plaatst de huidige geselecteerde waarde in de geselecteerde functie
<UP>	Navigeert omhoog via het menu of verhoogt de numerieke waarde wanneer in een functie
<DOWN>	Navigeert omlaag via het menu of verlaagt de numerieke waarde wanneer in een functie

Menu map

Hoofdniveau	Programmeerniveaus		Beschrijving	
Address	001-512		Stelt het DMX-startadres in	
Run Mode	DMX	14CH	Selecteert de DMX-modus	
		15CH		
		19CH		
		21CH		
	Auto Test		Voert de testprocedure van het product uit	
	Manual Test	000-255	Pan	Maakt handmatige bediening mogelijk van alle instellingen van het bedieningspaneel
			Tilt	
			Dimmer	
			Shutter	
			Red	
Green				
Blue				
White				
Setup	Pan Reverse	OFF	Omgekeerde zwenkbediening	
		ON	Normale zwenkbediening	
	Tilt Reverse	OFF	Omgekeerde kantelbediening	
		ON	Normale kantelbediening	
	Pan Angle	540	Selecteert het 540° zwenkhoekbereik	
		360	Selecteert het 360° zwenkhoekbereik	
		180	Selecteert het 180° zwenkhoekbereik	
	Tilt Angle	230	Selecteert het 230° kantelhoekbereik	
		180	Selecteert het 180° kantelhoekbereik	
		90	Selecteert het 90° kantelhoekbereik	
	Fans	Auto	Selecteert de bedieningsmodus van de ventilator.	
		ECO		
		Full		
Display	OFF	Bepaalt of de achtergrondverlichting van het display wel of niet aan blijft nadat de laatste opdrachtknop is ingedrukt		
	ON			

Menu map (vervolg)

Hoofdniveau	Programmeerniveaus			Beschrijving	
Setup (Cont.)	Screen Rev	OFF		Roteert de weergave van het bedieningsscherm met 180°	
		ON		Normale weergave van het bedieningsscherm	
	Dimmer Curve	Linear		Lineaire dimmer	
		Square		Dimmer met vierkante curve	
		I Squa		Dimmer met omgekeerde vierkante curve	
		SCurve		Dimmer met S-curve	
	Dimmer Speed	Smooth		Langzame (Smooth) of snelle (Fast) dimmercurves	
		Fast			
	Color calibration	Off		Max. opbrengst wanneer RGBW DMX-kanalen bij maximaal vermogen zijn	
		On		Fabrieksgekalibreerde kleurtemperatuur wanneer RGBW DMX-kanalen bij maximaal vermogen zijn	
		Custom	RED	100–255	Handmatige kalibratie van kleurtemperatuur wanneer RGBW DMX-kanalen bij maximaal vermogen zijn
	GREEN				
	BLUE				
	Reset Function	Pan/Tilt	NO		Reset de zwenk-/kantelfuncties naar de startpositie
			YES		
		Zoom	NO		Reset alle zoomfuncties naar de startpositie
			YES		
All		NO		Reset alle functies naar de startpositie	
		YES			
Factory Set				Zet het product terug naar de oorspronkelijke fabrieksinstellingen	
Sys Info	Ver:			Toont de softwareversie	
	Running Mode:			Toont de huidige bedrijfsmodus	
	Dmx Address:			Toont het huidige DMX-adres	
	Temperature:			Toont de producttemperatuur in graden Celsius	
	Fixture Time			Toont de totale bedrijfstijd van het product	

DMX-waarden

21CH	Kanaal	Functie	Waarde	Percentage/instelling
	1	Zwenken	000ó 255	0–100%
	2	Fijn zwenken	000ó 255	Fijne regeling (16-bit)
	3	Kantelen	000ó 255	0–100%
	4	Fijn kantelen	000ó 255	Fijne regeling (16-bit)
	5	Zwenk-/kantelsnelheid	000ó 255	0–100%
	6	Dimmer	000ó 255	0–100%
	7	Fijne dimmer	000ó 255	Fijne regeling (16-bit)
	8	Sluiter	000ó 019	Gesloten
			020ó 024	Open
			025ó 064	Snel tot langzaam
			065ó 069	Open
			070ó 084	Snel aan/afloop uit
			085ó 089	Open
			090ó 104	Afloop uit/snel aan
			105ó 109	Open
			110ó 124	Willekeurig
			125ó 129	Open
			130ó 144	Willekeurig snel/afloop uit
			145ó 149	Open
			150ó 164	Willekeurig langzaam aan/snel uit
			165ó 169	Open
			170ó 184	Puls
			185ó 189	Open
	190ó 204	Willekeurige puls		
	205ó 209	Open		
	210ó 224	Fade aan/uit		
	225ó 229	Open		
	230ó 244	Puls		
	245ó 255	Open		
	9	Rood	000ó 255	0–100%
	10	Fijn rood	000ó 255	Fijne regeling (16-bit)
	11	Groen	000ó 255	0–100%
	12	Fijn groen	000ó 255	Fijne regeling (16-bit)
	13	Blauw	000ó 255	0–100%
	14	Fijn blauw	000ó 255	Fijne regeling (16-bit)
	15	Wit	000ó 255	0–100%
	16	Fijn wit	000ó 255	Fijne regeling (16-bit)

DMX-waarden (vervolg)

21CH (vervolg)	Kanaal	Functie	Waarde	Percentage/instelling
17	Kleur	000	004	Open
		005	009	Kleur 1
		010	014	Kleur 2
		015	019	Kleur 3
		020	024	Kleur 4
		025	029	Kleur 5
		030	034	Kleur 6
		035	039	Kleur 7
		040	044	Kleur 8
		045	049	Kleur 9
		050	054	Kleur 10
		055	059	Kleur 11
		060	064	Kleur 12
		065	069	Kleur 13
		070	074	Kleur 14
		075	079	Kleur 15
		080	084	Kleur 16
		085	089	Kleur 17
		090	094	Kleur 18
		095	099	Kleur 19
		100	104	Kleur 20
		105	109	Kleur 21
		110	114	Kleur 22
		115	119	Kleur 23
		120	124	Kleur 24
		125	129	Kleur 25
		130	134	Kleur 26
		135	139	Kleur 27
		140	144	Kleur 28
		145	149	Kleur 29
150	154	Kleur 30		
155	159	Kleur 31		
160	164	Kleur 32		
165	169	Kleur 33		
170	174	Kleur 34		
175	179	Gesloten		
180	201	Kleurwijziging met de klok mee, snel tot langzaam		
202	207	Stop bij huidige kleur		
208	229	Kleurwijziging tegen de klok in, snel tot langzaam		
230	234	Gesloten		
235	249	Kleurbladeren		
250	255	Gesloten		
18	Zoom	000	255	0–100%

DMX-waarden (vervolg)

21CH (vervolg)	Kanaal	Functie	Waarde	Percentage/instelling
19		Bewegingsmacro's	000ó 007	Geen functie
			008ó 023	Effect 1
			024ó 039	Effect 2
			040ó 055	Effect 3
			056ó 071	Effect 4
			072ó 087	Effect 5
			088ó 103	Effect 6
			104ó 119	Effect 7
			120ó 135	Effect 8
			136ó 151	Effect 9
			152ó 167	Effect 10
			168ó 183	Effect 11
			184ó 199	Effect 12
			200ó 215	Effect 13
			216ó 231	Effect 14
			232ó 247	Effect 15
248ó 255	Effect 16			
20		Beweging macrosnelheid	000ó 255	0–100%

DMX-waarden (vervolg)

21CH (vervolg)	Kanaal	Functie	Waarde	Percentage/instelling
21	Regeling		000◊ 009	Geen functie
			010◊ 014	Verduistering tijdens zwenken/kantelen (5 sec activeringsvertraging)
			015◊ 019	Geen functie
			020◊ 024	Geen functie
			025◊ 029	Geen functie
			030◊ 034	Geen functie
			035◊ 039	Geen functie
			040◊ 044	Geen functie
			045◊ 049	Geen functie
			050◊ 054	Zwenkreset (5 s activeringsvertraging)
			055◊ 059	Kantelreset (5 s activeringsvertraging)
			060◊ 064	Zoomreset (5 s activeringsvertraging)
			065◊ 069	Geen functie
			070◊ 074	Alles resetten (5 s activeringsvertraging)
			075◊ 079	Geen functie
			080◊ 084	Zwenk/kantelbeweging omdraaien (5 s activeringsvertraging)
			085◊ 089	Zwenkbeweging omdraaien (5 s activeringsvertraging)
			090◊ 094	Kantelbeweging omdraaien (5 s activeringsvertraging)
			095◊ 099	Uitschakelen zwenkbeweging omdraaien (5 s activeringsvertraging)
			100◊ 104	Uitschakelen kantelbeweging omdraaien (5 s activeringsvertraging)
			105◊ 109	Uitschakelen zwenk/kantelbeweging omdraaien (5 s activeringsvertraging)
			110◊ 114	Geen functie
			115◊ 119	Geen functie
			120◊ 124	Zuinige ventilator (5 s activeringsvertraging)
			125◊ 129	Volledige ventilator (5 s activeringsvertraging)
			130◊ 134	Automatische ventilator (5 s activeringsvertraging)
			135◊ 139	Snelle dimmercurve (5 s activeringsvertraging)
	140◊ 144	Gladde dimmercurve (5 s activeringsvertraging)		
	145◊ 255	Geen functie		

DMX-waarden (vervolg)

19CH	Kanaal	Functie	Waarde	Percentage/instelling
	1	Zwenken	000ó 255	0–100%
	2	Fijn zwenken	000ó 255	Fijne regeling (16-bit)
	3	Kantelen	000ó 255	0–100%
	4	Fijn kantelen	000ó 255	Fijne regeling (16-bit)
	5	Zwenk-/kantelsnelheid	000ó 255	0–100%
	6	Dimmer	000ó 255	0–100%
	7	Fijne dimmer	000ó 255	Fijne regeling (16-bit)
	8	Sluiter	000ó 019	Gesloten
			020ó 024	Open
			025ó 064	Snel tot langzaam
			065ó 069	Open
			070ó 084	Snel aan/afloop uit
			085ó 089	Open
			090ó 104	Afloop uit/snel aan
			105ó 109	Open
			110ó 124	Willekeurig
			125ó 129	Open
			130ó 144	Willekeurig snel/afloop uit
			145ó 149	Open
			150ó 164	Willekeurig langzaam aan/snel uit
			165ó 169	Open
			170ó 184	Puls
	185ó 189	Open		
	190ó 204	Willekeurige puls		
	205ó 209	Open		
	210ó 224	Fade aan/uit		
	225ó 229	Open		
	230ó 244	Puls		
	245ó 255	Open		
	9	Rood	000ó 255	0–100%
	10	Fijn rood	000ó 255	Fijne regeling (16-bit)
	11	Groen	000ó 255	0–100%
	12	Fijn groen	000ó 255	Fijne regeling (16-bit)
	13	Blauw	000ó 255	0–100%
	14	Fijn blauw	000ó 255	Fijne regeling (16-bit)
	15	Wit	000ó 255	0–100%
	16	Fijn wit	000ó 255	Fijne regeling (16-bit)

DMX-waarden (vervolg)

19CH (vervolg)	Kanaal	Functie	Waarde	Percentage/instelling
17	Kleur		000ó 004	Open
			005ó 009	Kleur 1
			010ó 014	Kleur 2
			015ó 019	Kleur 3
			020ó 024	Kleur 4
			025ó 029	Kleur 5
			030ó 034	Kleur 6
			035ó 039	Kleur 7
			040ó 044	Kleur 8
			045ó 049	Kleur 9
			050ó 054	Kleur 10
			055ó 059	Kleur 11
			060ó 064	Kleur 12
			065ó 069	Kleur 13
			070ó 074	Kleur 14
			075ó 079	Kleur 15
			080ó 084	Kleur 16
			085ó 089	Kleur 17
			090ó 094	Kleur 18
			095ó 099	Kleur 19
			100ó 104	Kleur 20
			105ó 109	Kleur 21
			110ó 114	Kleur 22
			115ó 119	Kleur 23
			120ó 124	Kleur 24
			125ó 129	Kleur 25
			130ó 134	Kleur 26
			135ó 139	Kleur 27
			140ó 144	Kleur 28
			145ó 149	Kleur 29
			150ó 154	Kleur 30
			155ó 159	Kleur 31
			160ó 164	Kleur 32
	165ó 169	Kleur 33		
	170ó 174	Kleur 34		
	175ó 179	Gesloten		
	180ó 201	Kleurwijziging met de klok mee, snel tot langzaam		
	202ó 207	Stop bij huidige kleur		
	208ó 229	Kleurwijziging tegen de klok in, snel tot langzaam		
	230ó 234	Gesloten		
	235ó 249	Kleurbladeren		
	250ó 255	Gesloten		
18	Zoom		000ó 255	0-100%

DMX-waarden (vervolg)

19CH (vervolg)	Kanaal	Functie	Waarde	Percentage/instelling
19	Regeling		000○ 009	Geen functie
			010○ 014	Verduistering tijdens zwenken/kantelen (5 sec activeringsvertraging)
			015○ 019	Geen functie
			020○ 024	Geen functie
			025○ 029	Geen functie
			030○ 034	Geen functie
			035○ 039	Geen functie
			040○ 044	Geen functie
			045○ 049	Geen functie
			050○ 054	Zwenkreset (5 s activeringsvertraging)
			055○ 059	Kantelreset (5 s activeringsvertraging)
			060○ 064	Zoomreset (5 s activeringsvertraging)
			065○ 069	Geen functie
			070○ 074	Alles resetten (5 s activeringsvertraging)
			075○ 079	Geen functie
			080○ 084	Zwenk/kantelbeweging omdraaien (5 s activeringsvertraging)
			085○ 089	Zwenkbeweging omdraaien (5 s activeringsvertraging)
			090○ 094	Kantelbeweging omdraaien (5 s activeringsvertraging)
			095○ 099	Uitschakelen zwenkbeweging omdraaien (5 s activeringsvertraging)
			100○ 104	Uitschakelen kantelbeweging omdraaien (5 s activeringsvertraging)
			105○ 109	Uitschakelen zwenk/kantelbeweging omdraaien (5 s activeringsvertraging)
			110○ 114	Geen functie
			115○ 119	Geen functie
			120○ 124	Zuinige ventilator (5 s activeringsvertraging)
			125○ 129	Volledige ventilator (5 s activeringsvertraging)
			130○ 134	Automatische ventilator (5 s activeringsvertraging)
			135○ 139	Snelle dimmercurve (5 s activeringsvertraging)
	140○ 144	Gladde dimmercurve (5 s activeringsvertraging)		
	145○ 255	Geen functie		

DMX-waarden (vervolg)

15CH	Kanaal	Functie	Waarde	Percentage/instelling
	1	Zwenken	000ó 255	0–100%
	2	Fijn zwenken	000ó 255	Fijne regeling (16-bit)
	3	Kantelen	000ó 255	0–100%
	4	Fijn kantelen	000ó 255	Fijne regeling (16-bit)
	5	Zwenk-/kantelsnelheid	000ó 255	0–100%
	6	Dimmer	000ó 255	0–100%
	7	Fijne dimmer	000ó 255	Fijne regeling (16-bit)
	8	Sluiter	000ó 019 Gesloten 020ó 024 Open 025ó 064 Snel tot langzaam 065ó 069 Open 070ó 084 Snel aan/afloop uit 085ó 089 Open 090ó 104 Afloop uit/snel aan 105ó 109 Open 110ó 124 Willekeurig 125ó 129 Open 130ó 144 Willekeurig snel/afloop uit 145ó 149 Open 150ó 164 Willekeurig langzaam aan/snel uit 165ó 169 Open 170ó 184 Puls 185ó 189 Open 190ó 204 Willekeurige puls 205ó 209 Open 210ó 224 Fade aan/uit 225ó 229 Open 230ó 244 Puls 245ó 255 Open	
	9	Rood	000ó 255	0–100%
	10	Groen	000ó 255	0–100%
	11	Blauw	000ó 255	0–100%
	12	Wit	000ó 255	0–100%

DMX-waarden (vervolg)

15CH (vervolg)	Kanaal	Functie	Waarde	Percentage/instelling
13	Kleur	000	004	Open
		005	009	Kleur 1
		010	014	Kleur 2
		015	019	Kleur 3
		020	024	Kleur 4
		025	029	Kleur 5
		030	034	Kleur 6
		035	039	Kleur 7
		040	044	Kleur 8
		045	049	Kleur 9
		050	054	Kleur 10
		055	059	Kleur 11
		060	064	Kleur 12
		065	069	Kleur 13
		070	074	Kleur 14
		075	079	Kleur 15
		080	084	Kleur 16
		085	089	Kleur 17
		090	094	Kleur 18
		095	099	Kleur 19
		100	104	Kleur 20
		105	109	Kleur 21
		110	114	Kleur 22
		115	119	Kleur 23
		120	124	Kleur 24
		125	129	Kleur 25
130	134	Kleur 26		
135	139	Kleur 27		
140	144	Kleur 28		
145	149	Kleur 29		
150	154	Kleur 30		
155	159	Kleur 31		
160	164	Kleur 32		
165	169	Kleur 33		
170	174	Kleur 34		
175	179	Gesloten		
180	201	Kleurwijziging met de klok mee, snel tot langzaam		
202	207	Stop bij huidige kleur		
208	229	Kleurwijziging tegen de klok in, snel tot langzaam		
230	234	Gesloten		
235	249	Kleurbladeren		
250	255	Gesloten		
14	Zoom	000	255	0–100%

DMX-waarden (vervolg)

15CH (vervolg)	Kanaal	Functie	Waarde	Percentage/instelling
15	Regeling		000ó 009	Geen functie
			010ó 014	Verduistering tijdens zwenken/kantelen (5 sec activeringsvertraging)
			015ó 019	Geen functie
			020ó 024	Geen functie
			025ó 029	Geen functie
			030ó 034	Geen functie
			035ó 039	Geen functie
			040ó 044	Geen functie
			045ó 049	Geen functie
			050ó 054	Zwenkreset (5 s activeringsvertraging)
			055ó 059	Kantelreset (5 s activeringsvertraging)
			060ó 064	Zoomreset (5 s activeringsvertraging)
			065ó 069	Geen functie
			070ó 074	Alles resetten (5 s activeringsvertraging)
			075ó 079	Geen functie
			080ó 084	Zwenk/kantelbeweging omdraaien (5 s activeringsvertraging)
			085ó 089	Zwenkbeweging omdraaien (5 s activeringsvertraging)
			090ó 094	Kantelbeweging omdraaien (5 s activeringsvertraging)
			095ó 099	Uitschakelen zwenkbeweging omdraaien (5 s activeringsvertraging)
			100ó 104	Uitschakelen kantelbeweging omdraaien (5 s activeringsvertraging)
			105ó 109	Uitschakelen zwenk/kantelbeweging omdraaien (5 s activeringsvertraging)
			110ó 114	Geen functie
			115ó 119	Geen functie
			120ó 124	Zuinige ventilator (5 s activeringsvertraging)
			125ó 129	Volledige ventilator (5 s activeringsvertraging)
	130ó 134	Automatische ventilator (5 s activeringsvertraging)		
	135ó 139	Snelle dimmercurve (5 s activeringsvertraging)		
	140ó 144	Gladde dimmercurve (5 s activeringsvertraging)		
	145ó 255	Geen functie		

DMX-waarden (vervolg)

14CH	Kanaal	Functie	Waarde	Percentage/instelling
	1	Zwenken	000ó 255	0–100%
	2	Fijn zwenken	000ó 255	Fijne regeling (16-bit)
	3	Kantelen	000ó 255	0–100%
	4	Fijn kantelen	000ó 255	Fijne regeling (16-bit)
	5	Zwenk-/kantelsnelheid	000ó 255	0–100%
	6	Dimmer	000ó 255	0–100%
	7	Sluiter	000ó 019	Gesloten
			020ó 024	Open
			025ó 064	Snel tot langzaam
			065ó 069	Open
			070ó 084	Snel aan/afloop uit
			085ó 089	Open
			090ó 104	Afloop uit/snel aan
			105ó 109	Open
			110ó 124	Willekeurig
			125ó 129	Open
			130ó 144	Willekeurig snel/afloop uit
			145ó 149	Open
			150ó 164	Willekeurig langzaam aan/snel uit
			165ó 169	Open
	170ó 184	Puls		
	185ó 189	Open		
	190ó 204	Willekeurige puls		
	205ó 209	Open		
	210ó 224	Fade aan/uit		
	225ó 229	Open		
	230ó 244	Puls		
	245ó 255	Open		
	8	Rood	000ó 255	0–100%
	9	Groen	000ó 255	0–100%
	10	Blauw	000ó 255	0–100%
	11	Wit	000ó 255	0–100%

DMX-waarden (vervolg)

14CH (vervolg)	Kanaal	Functie	Waarde	Percentage/instelling
12	Kleur		000ó 004	Open
			005ó 009	Kleur 1
			010ó 014	Kleur 2
			015ó 019	Kleur 3
			020ó 024	Kleur 4
			025ó 029	Kleur 5
			030ó 034	Kleur 6
			035ó 039	Kleur 7
			040ó 044	Kleur 8
			045ó 049	Kleur 9
			050ó 054	Kleur 10
			055ó 059	Kleur 11
			060ó 064	Kleur 12
			065ó 069	Kleur 13
			070ó 074	Kleur 14
			075ó 079	Kleur 15
			080ó 084	Kleur 16
			085ó 089	Kleur 17
			090ó 094	Kleur 18
			095ó 099	Kleur 19
			100ó 104	Kleur 20
			105ó 109	Kleur 21
			110ó 114	Kleur 22
			115ó 119	Kleur 23
			120ó 124	Kleur 24
			125ó 129	Kleur 25
			130ó 134	Kleur 26
	135ó 139	Kleur 27		
	140ó 144	Kleur 28		
	145ó 149	Kleur 29		
	150ó 154	Kleur 30		
	155ó 159	Kleur 31		
	160ó 164	Kleur 32		
	165ó 169	Kleur 33		
	170ó 174	Kleur 34		
	175ó 179	Gesloten		
	180ó 201	Kleurwijziging met de klok mee, snel tot langzaam		
	202ó 207	Stop bij huidige kleur		
		Kleurwijziging tegen de klok in, snel tot langzaam		
	208ó 229	langzaam		
	230ó 234	Gesloten		
	235ó 249	Kleurbladeren		
	250ó 255	Gesloten		
13	Zoom		000ó 255	0-100%

DMX-waarden (vervolg)

14CH (vervolg)	Kanaal	Functie	Waarde	Percentage/instelling
14	Regeling		000ó 009	Geen functie
			010ó 014	Verduistering tijdens zwenken/kantelen (5 sec activeringsvertraging)
			015ó 019	Geen functie
			020ó 024	Geen functie
			025ó 029	Geen functie
			030ó 034	Geen functie
			035ó 039	Geen functie
			040ó 044	Geen functie
			045ó 049	Geen functie
			050ó 054	Zwenkreset (5 s activeringsvertraging)
			055ó 059	Kantelreset (5 s activeringsvertraging)
			060ó 064	Zoomreset (5 s activeringsvertraging)
			065ó 069	Geen functie
			070ó 074	Alles resetten (5 s activeringsvertraging)
			075ó 079	Geen functie
			080ó 084	Zwenk/kantelbeweging omdraaien (5 s activeringsvertraging)
			085ó 089	Zwenkbeweging omdraaien (5 s activeringsvertraging)
			090ó 094	Kantelbeweging omdraaien (5 s activeringsvertraging)
			095ó 099	Uitschakelen zwenkbeweging omdraaien (5 s activeringsvertraging)
			100ó 104	Uitschakelen kantelbeweging omdraaien (5 s activeringsvertraging)
			105ó 109	Uitschakelen zwenk/kantelbeweging omdraaien (5 s activeringsvertraging)
			110ó 114	Geen functie
			115ó 119	Geen functie
			120ó 124	Zuinige ventilator (5 s activeringsvertraging)
			125ó 129	Volledige ventilator (5 s activeringsvertraging)
			130ó 134	Automatische ventilator (5 s activeringsvertraging)
			135ó 139	Snelle dimmercurve (5 s activeringsvertraging)
	140ó 144	Gladde dimmercurve (5 s activeringsvertraging)		
	145ó 255	Geen functie		

Contact Us WORLD HEADQUARTERS - Chauvet**General Information**

Address: 5200 NW 108th Avenue
Sunrise, FL 33351
Voice: (954) 577-4455
Fax: (954) 929-5560
Toll free: (800) 762-1084

Technical Support

Voice: (954) 577-4455 (Press 4)
Fax: (954) 756-8015
Email: tech@chauvetlighting.com

World Wide Web

www.chauvetlighting.com

UNITED KINGDOM AND IRELAND - Chauvet Europe Ltd.**General Information**

Address: Unit 1C
Brookhill Road Industrial Estate
Pinxton, Nottingham, UK
NG16 6NT
Voice: +44 (0)1773 511115
Fax: +44 (0)1773 511110

Technical Support

Email: uktech@chauvetlighting.com

World Wide Web

www.chauvetlighting.co.uk

MEXICO - Chauvet Mexico**General Information**

Address: Av. Santa Ana 30
Parque Industrial Lerma
Lerma, Mexico C.P. 52000
Voice: +52 (728) 285-5000

Technical Support

Email: servicio@chauvet.com.mx

World Wide Web

www.chauvet.com.mx

CHAUVET EUROPE - Chauvet Europe BVBA**General Information**

Address: Stokstraat 18
9770 Kruishoutem
Belgium
Voice: +32 9 388 93 97

Technical Support

Email: Eutech@chauvetlighting.eu

World Wide Web

www.chauvetlighting.eu

Outside the U.S., United Kingdom, Ireland, Mexico, or Benelux, contact the dealer of record. Follow their instructions to request support or to return a product. Visit our website for contact details.

