

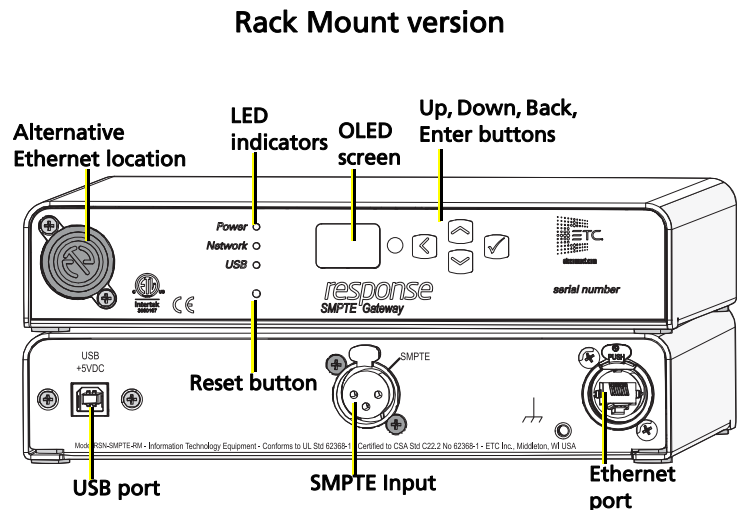
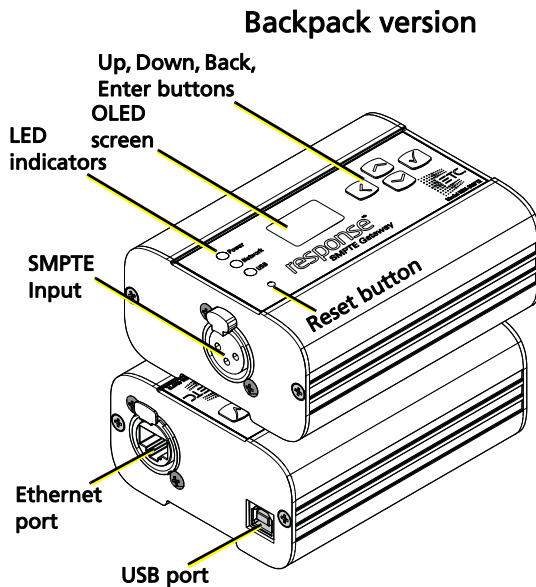
# ETC Setup Guide

## Response SMPTE Gateway

### Overview

The Response SMPTE Gateway allows you to receive a SMPTE control signal from an external source and then pass it through to your lighting network or console, providing a simple way to synchronize other systems with your lighting control. The SMPTE signal is generated by the controlling device and transmitted to the SMPTE Gateway. The gateway acts as a receiver in a SMPTE system.

There is a backpack and rack-mounted version of the SMPTE gateway.



### LED Indicators

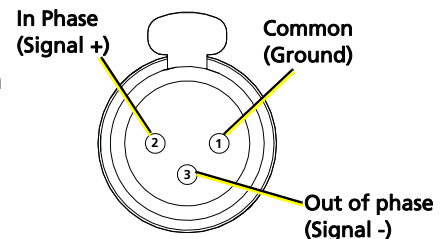
- Power - solid blue indicates that power is supplied
- Network - solid green indicates network connection and blinking indicates network activity
- USB - solid green indicates USB connection and solid red indicates connection without having fully detected, identified and loaded device drivers

### Action Buttons

- Up, Down, Back buttons - The Back button allows you to return to the previous menu option and the Up and Down buttons navigate between menu options
- Enter - The Enter button allows you to advance to the next available menu option or commit a modified selection
- Reset - The Reset button provides a physical button to reset the gateway but does not restore factory settings

### SMPTE Connection

The three-pin XLR connector on the gateway allows for connection of an LTC SMPTE source in the form of a balanced audio input.

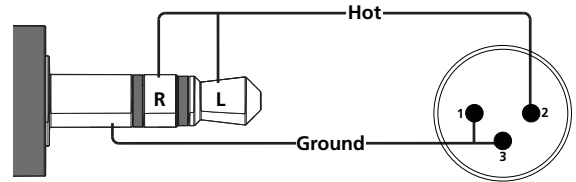


# ETC Setup Guide

## Response SMPTE Gateway Setup Guide

### Unbalanced Audio

For an unbalanced input source, such as a 3.5 mm audio TRS jack from a mobile device or PC, make the following connections in the user cable: Connect XLR pin 1 and 3 together (tying Common to Signal -). The unbalanced signal connects to XLR pin 2 (Signal +). The 3.5 mm audio TRS to XLR Male cable that is provided with the gateway is wired for unbalanced audio.



**Note:** *The TRS to XLR cable is provided only with the backpack version of the SMPTE gateway.*

### SMPTE Timecode

The gateway supports input of the following timecode formats:

Rate	Drop Frame	Received As
23.98	Yes	24 Drop
24	No	24
25	No	25
29.97	No	30
29.97	Yes	30 Drop
30	No	30

### Power and Connections

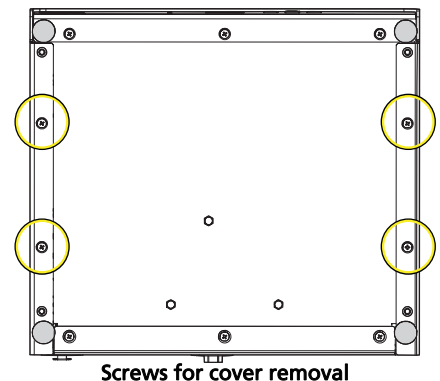
The SMPTE Gateway can use Power over Ethernet (PoE) or can be powered by USB. The following connection methods are available:

- Ethernet only: Ethernet is used to supply power (PoE) and to transport timecode over the network
- USB and Ethernet: Ethernet sends SMPTE timecode over the network and USB is used only for power
- USB only: The gateway is powered by and sends converted timecode over the USB connection. In this scenario, the USB connection must be made directly to the lighting console.

### Switching the Network Port (Rack Mount Only)

The rack mount variant of the SMPTE gateway can have the Ethernet connector installed on the front or back of the unit. To switch the location, perform the following steps:

- 1: Using a Phillips screwdriver, remove the four screws on the bottom of the gateway and slide the cover off from front to back.
- 2: Using a Phillips screwdriver, remove the two screws from the nuts securing the blank plate to the gateway.
- 3: Remove the two screws securing the Ethernet connector to the gateway.
- 4: Move the Ethernet connector to the desired location on the gateway and secure with the two screws removed in step 3.
- 5: Secure the blank plate to the other location using the screws and nuts removed in step 2.
- 6: Slide the cover back on the gateway, from back to front and secure with the four screws you removed in step 1.



# ETC Setup Guide

## Response SMPTE Gateway Setup Guide

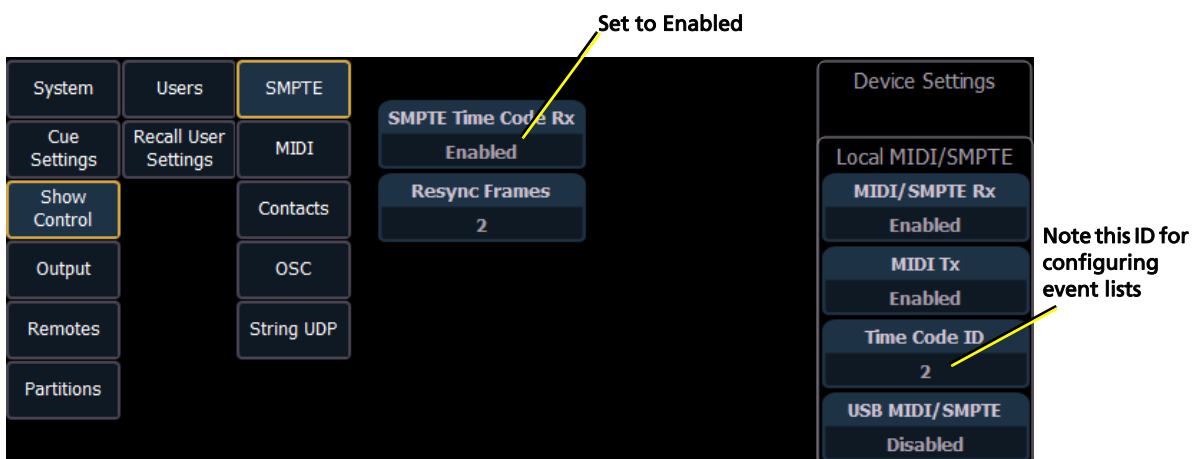
### Setting Up the SMPTE Gateway in Eos

You can connect the SMPTE gateway to your lighting network through a network switch or directly to the EOS host using USB (See [Power and Connections](#) on [page 2](#)). For additional information on using SMPTE with an Eos console, refer to the Show Control chapter of the *Eos Family Operations Manual*.



**Note:** *The SMPTE gateway is supported on Eos Family Consoles running software version 2.9.0 or later.*

- 7: On your console, navigate to **Setup > System > Show Control > SMPTE**.
- 8: From the Device Settings section, set **SMPTE Time Code Rx** to **Enabled**.
- 9: If you are using SMPTE over USB (converted to MIDI), you must also ensure that the **Time Code ID** field in Device Settings is set to the same ID as the Source ID entered in your Event List.



### Using SMPTE in Eos Event Lists

You can trigger events in Eos from SMPTE using Show Control Event Lists. For additional information on event lists in Eos, refer to the *Eos Family Operations Manual*.

- 1: On your console, navigate to the Show Control tab and create a list.
- 2: In the **Type** field, enter **SMPTE**.
- 3: In the **Source** field:
  - For SMPTE over a network connection, enter the SMPTE Source ID that is assigned to your gateway.
  - For SMPTE over USB (converted to MIDI), enter the **Time Code ID** from Device Settings.

List	Label	Type	Source	Internal	External	First Time	Last Time	FPS
1	test	SMPTE	2	Off	On	00:00:00:00	23:59:59:29	30

Enter the source ID set on the gateway or Time Code ID

- 4: Within the event list, specify the events and the SMPTE time at which they should trigger.

# ETC Setup Guide

## Response SMPTE Gateway Setup Guide

---

### Configuration

You can perform the following tasks using the built-in interface on the SMPTE Gateway. Additional configuration of the SMPTE Gateway is done using ETC Concert software. Refer to the SMPTE Gateway device-specific Help in Concert for more information.

### View Device Information

The home screen provides the gateway name and IP address, as well as the last received timecode value.

To view additional information about to your gateway, select the About menu from the home screen. From the About menu, you can select one of the following two options:

- Version - Provides the version of software running on the device
- SMPTE - Provides the last received timecode value, input status and the frame rate of the source timecode

Lastly, to view or change the the SMPTE Source ID, select Setup > Source IDs from the home screen.

### Configure Network Settings

To configure the network settings for your device, perform the following steps:

- 1: From the home screen, select Setup > Network.
- 2: From the Mode screen, you can use the up and down buttons to select Manual, Link Local or Automatic.
  - Automatic will attempt to automatically configure the IP address, Subnet, and gateway for your device via DHCP.
  - If you select Manual, you must configure the IP Address, IP Subnet, and IP Gateway screens and then select OK from the Apply/Reboot? screen.
  - If you select Link Local, you can have the addressing done using your system's link local addressing mechanism. Select OK from the Apply/Reboot? screen.

If your network settings are not valid after configuration, a warning appears for 3 seconds and then you are returned to the Mode screen and can try again.

### Modify Device Settings

To restore the factory defaults or upgrade the software for your device, select the Operations menu from the home screen. From the Operations menu, you can select one of the two options:

- Restore Defaults - Select OK? from the Restore Defaults screen to restore all default values to your device. This removes all network and master/backup information that is configured for your gateway but retains the gateway name.
- Update Software - Select OK? from the Update Software from server <#.#.#.> screen if you need to update the software directly from the gateway.



**Note:** *The recommended method of updating the SMPTE gateway is through UpdaterAtor. Regardless of whether you update from UpdaterAtor or directly from the gateway, the device must be on the network.*

---

If you do choose to update directly from the gateway, the bootloader runs and the latest software is downloaded from the server indicated by the <#.#.#.> IP address on the Update Software screen. If you need to modify this IP address, you can configure it in Concert software using the Update Server property.

# ETC Setup Guide

## Response SMPTE Gateway Setup Guide

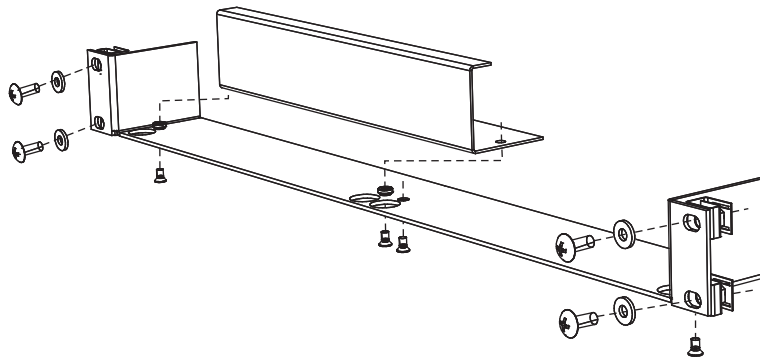
---

### Optional Accessories (Rack Mount Only)

The following accessories are available for use with the rack-mounted Response SMPTE Gateway.

#### Rack Mount Kit

4260K1001: The Gateway Rack Mount kit is capable of holding up to two gateways for mounting into a standard 19" rack enclosure. If you only need to mount one unit, a blanking plate is provided with the kit. This blanking plate can be installed on either side of the rack mount bracket.



#### Hanging Hardware Kit

4260K1005: The Hanging Hardware Kit allows pipe mounting of a gateway in a variety of orientations. You can vary the way the U-bolt (or c-clamp) attaches to the bracket and the way the bracket mounts to the gateway. The bracket attaches to any edge on the bottom of your gateway.

