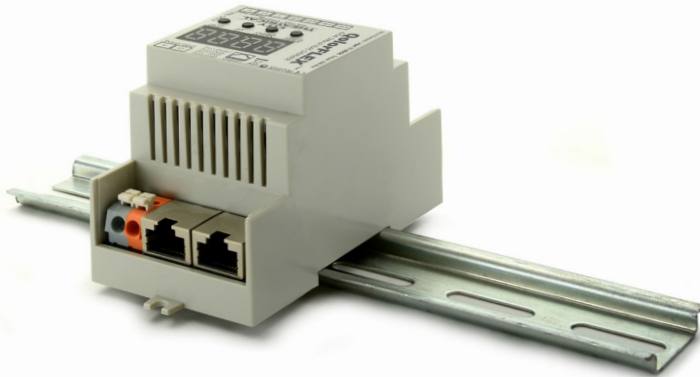


QolorFLEX® 4X5A DINrail RJ45 Dimmer
P/N 5823



QolorFLEX®

QolorFLEX® 4x5A DINrail RJ45 Dimmer (P/N 5823) is a low voltage, constant voltage dimmer, and can control a full 20A of LED tape spread over four channels of 5A each.

The QolorFLEX 4x5A DINrail RH45 Dimmer unit mounts to a standard hat section DINrail, and features two RJ45 connectors for DMX communication.

The QolorFLEX 4x5A DINrail RJ45 Dimmer requires an external power supply to suit the LED tape you are using. This LED dimmer is designed for indoor use.

SPECIFICATIONS:

Physical

Length	53.4 mm	(2.1 in)
Width	110 mm	(4.32 in)
Height	65 mm	(2.56 in)
Weight	0.11 kg	(4 oz)
Construction	NEMA 1 ABS enclosure	
User Interface	4 button, plus alpha/ numeric display	

Electrical

Output Channels	User selectable, 1 to 4
Input Voltage	12 to 24VDC
Max Output / Channel	5A
Max Device Input	20A
Resolution	User selectable - 8- or 16-bit
PWM Frequencies	User selectable- 500-30KHz
Power Connections	Spring Terminals
Output Connections	Spring Terminals
DMX Connections	2x RJ45
0-10 Connections	No
DMX Address	Yes
Curve Selection	Yes - 99
Film & Video Modes	Yes - 18
DMX Termination	No
SHoW ID	N/A
Bump Buttons	No
Pilot Lights	Yes
Smoothing Settings	No
Stand Alone Levels	Yes
RDM	Yes

Product Information

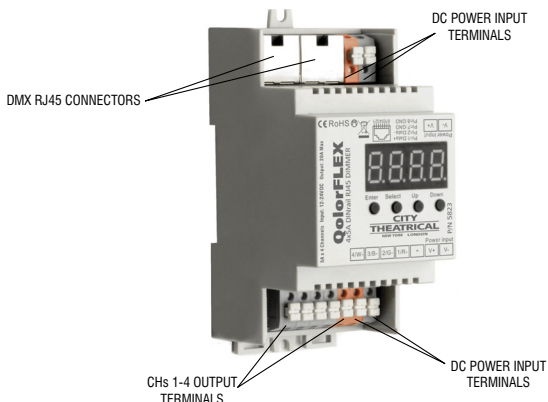
Use Environment	Indoor
Warranty	One year
Compliance	CE, RoHS



QolorFLEX 4x5A DINrail RJ45 Dimmer shown from various viewpoints.

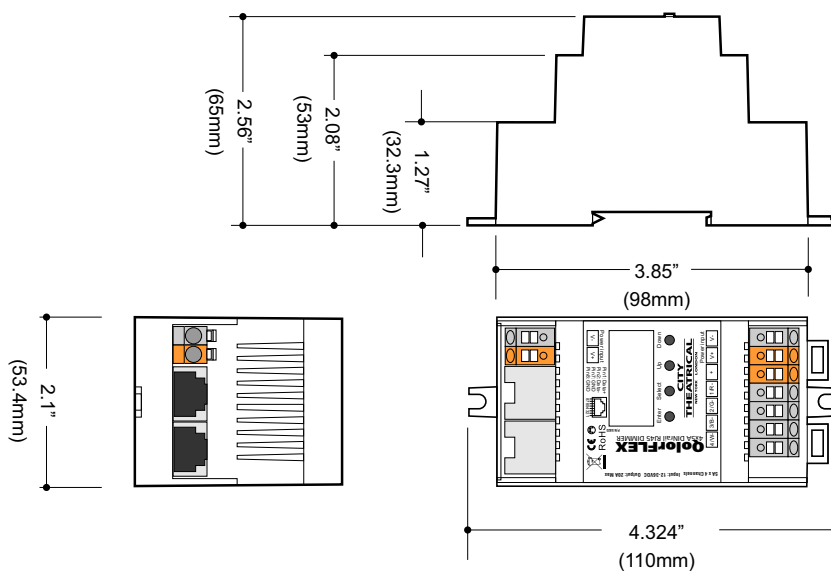
DIAGRAM:

(Not to scale)



DIMENSIONS:

(Not to scale)



WIRING SCHEMATIC:

