



PLPROFILE4 MKII LED Luminaire

PLPROFILE4 MKII LED Luminaire

The PLPROFILE4 MKII luminaire is a LED, variable-beam profile with precise beam control and pattern projection from a high output beam. An innovative combination of LED source technology and precision optical design, the PLPROFILE4 MKII luminaire delivers Philips Selecon's industry benchmark projection quality in a compact, robust luminaire.

A key benefit of the PLPROFILE4 MKII luminaire is that it is no longer necessary to change lamps or color filter. Combining the superior control and light quality of a Philips Selecon Profile with seamless fading between colors allows designers a new level of creativity. Less power consumption and no dimmer circuits makes the PLPROFILE4 MKII luminaire the obvious choice for pattern projection and stage washes on the larger stage.

The PLPROFILE4 MKII luminaire also hosts smart cable management with the inclusion of PLICB (PL Interconnect Box). The PLICB mounts to the luminaire's yoke, between the C-Clamp and the yoke and swivels independently to allow for the luminaire to move freely through its focus range with no need for a cable service loop. In addition the PLICB can also be mounted to the side of the yoke for tighter luminaire mounting solutions. The PLICB allows for all of the luminaires cabling with DMX and PowerCON in and through Connections.

Features

- Four RGBW LED chips deliver limitless color mixing and variable color temperature.
- Seven optical systems: 15°-35° and 25°-50° Zoomspots; 14°, 19°, 26°, 36° and 50° Fixed Beams.
- All lens tubes interchangeable and can be ordered separately. 360° barrel rotation.
- Infinite color choice from the RGBW engines and supporting color temperatures from 2300K to 9970K in white
- Homogenized fully mixed color output light, no multiple color shadows
- 50,000 hours of life expectancy
- Quick selection of Warm White, Cool White, and Daylight
- Color presets simplifies matching existing light sources
- User defined on board presets states available to record your color composition
- Constant color balance down to very low light levels irrespective of intensity setting
- DMX512 Input/Output with 8 or 16-bit resolution or a simple 5-channel control (PLICB)
- On-board LCD menu for ease of luminaire set up and addressing
- No ultra-violet (wavelengths of less than 400nm) – for UVA, B or C or the Infrared spectrum (wavelengths of more than 775nm)
- Luminaire color: black
- Electronic universal power supply 100-240VAC
- PowerCON In and Through connectors (PLICB)
- cETLus listed, C-Tick, and CE marked (IP20 Rated)



SPECIFICATION SUBMITTAL

CONSULTANT: <input type="text"/>	PROJECT NAME: <input type="text"/>	MODEL NUMBER QUANTITY: <input type="text"/> <input type="text"/> <input type="text"/> <input type="text"/> <input type="text"/> <input type="text"/> <input type="text"/> <input type="text"/>
DATE: <input type="text"/>	PROJECT NUMBER: <input type="text"/>	APPROVED BY: <input type="text"/>



PLPROFILE4 MKII LED Luminaire

Advanced Control

The PLPROFILE4 MKII LED luminaire has an on-board LCD menu system for luminaire setup, control, and addressing. The menu system is extremely user-friendly and offers all configuration options with a few button presses.

Console Control

All PLPROFILE4 MKII luminaires now have added support for Remote Device Management (RDM) and DMX512 control. A choice of 8 or 16 bit control resolution or new, simple, 5-channel control is available. Extended color and color temperature control is provided by either the Strand Lighting NEO, 500ML, or Palette families of control consoles to simplify programming and luminaire color matching.

PLPROFILE4 MKII Luminaire LED Engine

The PLPROFILE4 luminaire's powerful LED engines offer exceptional performance and life. Under normal operating conditions our LED engine has a potential life expectancy of up to 50,000 hours, however under worst case operating conditions with the luminaire set to continuous full output it is possible that a small percentage of LEDs may require replacement sooner. With the new LED engines, power consumption has been reduced by approximately 7%, while color consistency has been greatly improved, ensuring unit-to-unit matching of colors.



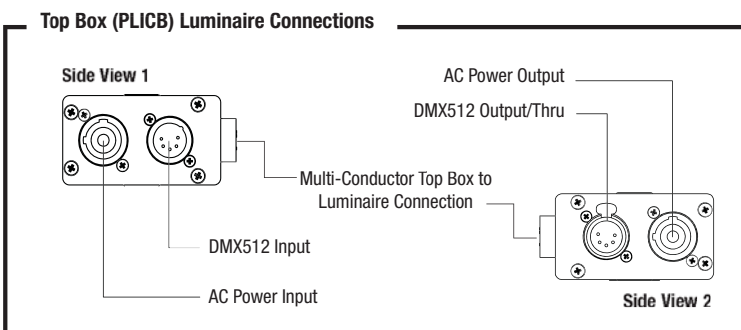
PLPROFILE4 Luminaire Advanced Control

- ① LCD Menu Display
- ② Local controls offer the ability to access, adjust, and store color presets and their intensity; recall factory-installed presets, set security access, and more.



PLPROFILE4 LED Luminaire is Capable of Holding Two B-Size Gobos or an Iris

(Note: gobos, gobo holders, and iris are all sold separately)



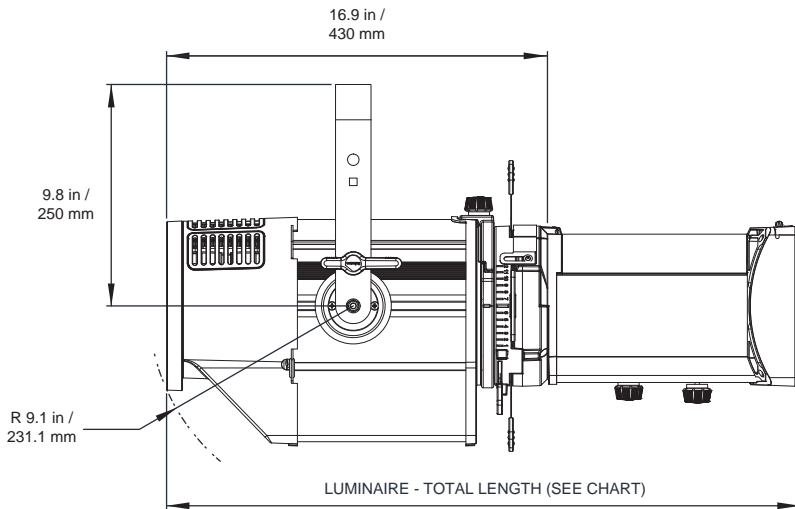


Dimensions

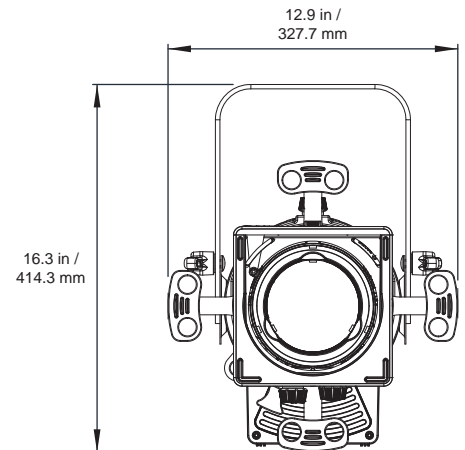
Luminaire Dimensional Chart

	Angle (°)	Lens Tube Length		Luminaire Total Length	
		Metric (mm)	Imperial (in)	Metric (mm)	Imperial (in)
Fixed	14	400	15.7	835	32.9
	19	310	12.2	745	29.3
	26	270	10.6	705	27.7
	36	250	9.8	685	27.0
Zoom	50	200	7.9	635	25.0
	15-35	370	14.6	805	31.7
	25-50	280	11.0	715	28.1

Side View



Front View



Technical Specifications

Electrical Specifications

- Source:** 4 Each, True RGBW 120W LED chip CRI 85 (4000K - all white)
- Operating Voltages:** 100 to 240 Volts AC (auto-ranging)
- Frequency:** 50/60 Hz
- Power Draw:**
 - Maximum Draw: 580 W (Maximum load - all LEDs at full RGBW)
 - All LEDs Off: 17 W
 - Power Save Mode: < 500 mW
- Maximum Thru (AC):** 20 Amps at thru connector
- Ambient Temperature:** 0° to 40°C (32° to 104°F)
- Control:** On-Board Menu / DMX512A
- DMX512 Channels:** 15 Channels (16-Bit Mode)
9 Channels (8-Bit Mode)
5 Channels (5-Channel Mode)

Mechanical Specifications

- Construction:** Machined aluminum, sheet metal, and molded engineering grade plastic components
- Color:** Black
- Weight:** 28.2 lbs / 12.8 kg (luminaire engine/shutter/yoke assemblies only)
- Gobo Slots:** 2 (gobo holders sold separately)
- Gobo Size:** B-Size Gobos (metal or glass)

Optical Specifications

Photometrics: Refer to the following pages

Standards Compliance: cETLus Listed and CE Marked





Photometric Data - Lux
Variable Zoom Lens - 15 to 35 Degrees

15 to 35 Degrees Variable Zoom Lens at 15° (Narrow) (2)

Distance (m)	3.1	4.6	6.1	7.6	9.1	10.7	12.2	13.7	15.2	16.8	18.3
Beam Diameter (m)	0.8	1.2	1.6	2.0	2.4	2.8	3.2	3.6	4.0	4.4	4.8
Color Mode	Center Beam Illuminance (lux)										
Full RGBW (1)	9246	4109	2311	1479	1027	755	578	457	370	306	257
Daylight (7300K)	8104	3602	2026	1297	900	662	507	400	324	268	225
CoolWhite (4340K)	7278	3235	1819	1164	809	594	455	359	291	241	202
Warm White (3260K)	6119	2719	1530	979	680	499	382	302	245	202	170
Red (1)	1227	545	307	196	136	100	77	61	49	41	34
Green(1)	3284	1459	821	525	365	268	205	162	131	109	91
Blue(1)	251	111	63	40	28	20	16	12	10	8	7
White(1)	4836	2149	1209	774	537	395	302	239	193	160	134

15 to 35 Degrees Variable Zoom Lens at 25° (Medium) (2)

Distance (m)	3.1	4.6	6.1	7.6	9.1	10.7	12.2	13.7	15.2	16.8	18.3
Beam Diameter (m)	1.4	2.0	2.7	3.4	4.1	4.7	5.4	6.1	6.8	7.4	8.1
Color Mode	Center Beam Illuminance (lux)										
Full RGBW (1)	4396	1954	1099	703	488	359	275	217	176	145	122
Daylight (7300K)	3877	1723	969	620	431	317	242	191	155	128	108
CoolWhite (4340K)	3543	1575	886	567	394	289	221	175	142	117	98
Warm White (3260K)	2917	1296	729	467	324	238	182	144	117	96	81
Red (1)	581	258	145	93	65	47	36	29	23	19	16
Green(1)	1580	702	395	253	176	129	99	78	63	52	44
Blue(1)	122	54	30	19	14	10	8	6	5	4	3
White(1)	2311	1027	578	370	257	189	144	114	92	76	64

15 to 35 Degrees Variable Zoom Lens at 35° (Wide) (2)

Distance (m)	3.1	4.6	6.1	7.6	9.1	10.7	12.2	13.7	15.2	16.8	18.3
Beam Diameter (ft)	1.9	2.9	3.8	4.8	5.8	6.7	7.7	8.6	9.6	10.6	11.5
Color Mode	Center Beam Illuminance (lux)										
Full RGBW (1)	2805	1247	701	449	312	229	175	139	112	93	78
Daylight (7300K)	2520	1120	630	403	280	206	157	124	101	83	70
CoolWhite (4340K)	2353	1046	588	376	261	192	147	116	94	78	65
Warm White (3260K)	1942	863	486	311	216	159	121	96	78	64	54
Red (1)	388	172	97	62	43	32	24	19	16	13	11
Green(1)	1039	462	260	166	115	85	65	51	42	34	29
Blue(1)	85	38	21	14	9	7	5	4	3	3	2
White(1)	1498	666	375	240	166	122	94	74	60	50	42

Notes:

- (1) Calibration OFF and Red Correction OFF
- (2) Angles are defined as per PLASA Standard ANSI E1.9-2007 (R2012)



Photometric Data - Lux
Variable Zoom Lens - 25 to 50 Degrees

25 to 50 Degrees Variable Zoom Lens at 25° (Narrow) (2)

Distance (m)	3.1	4.6	6.1	7.6	9.1	10.7	12.2	13.7	15.2	16.8	18.3
Beam Diameter (m)	1.4	2.0	2.7	3.4	4.1	4.7	5.4	6.1	6.8	7.4	8.1
Color Mode	Center Beam Illuminance (lux)										
Full RGBW (1)	5320	2364	1330	851	591	434	332	263	213	176	148
Daylight (7300K)	4664	2073	1166	746	518	381	291	230	187	154	130
CoolWhite (4340K)	4243	1886	1061	679	471	346	265	210	170	140	118
Warm White (3260K)	3519	1564	880	563	391	287	220	174	141	116	98
Red (1)	713	317	178	114	79	58	45	35	29	24	20
Green(1)	1855	824	464	297	206	151	116	92	74	61	52
Blue(1)	143	63	36	23	16	12	9	7	6	5	4
White(1)	2762	1227	690	442	307	225	173	136	110	91	77

25 to 50 Degrees Variable Zoom Lens at 37° (Medium) (2)

Distance (m)	3.1	4.6	6.1	7.6	9.1	10.7	12.2	13.7	15.2	16.8	18.3
Beam Diameter (m)	2.0	3.1	4.1	5.1	6.1	7.1	8.2	9.2	10.2	11.2	12.2
Color Mode	Center Beam Illuminance (lux)										
Full RGBW (1)	3916	1740	979	626	435	320	245	193	157	129	109
Daylight (7300K)	3465	1540	866	554	385	283	217	171	139	115	96
CoolWhite (4340K)	3162	1405	790	506	351	258	198	156	126	105	88
Warm White (3260K)	2617	1163	654	419	291	214	164	129	105	87	73
Red (1)	526	234	131	84	58	43	33	26	21	17	15
Green(1)	1396	620	349	223	155	114	87	69	56	46	39
Blue(1)	108	48	27	17	12	9	7	5	4	4	3
White(1)	2066	918	516	331	230	169	129	102	83	68	57

25 to 50 Degrees Variable Zoom Lens at 50° (Wide) (2)

Distance (m)	3.1	4.6	6.1	7.6	9.1	10.7	12.2	13.7	15.2	16.8	18.3
Beam Diameter (m)	2.8	4.3	5.7	7.1	8.5	9.9	11.4	12.8	14.2	15.6	17.1
Color Mode	Center Beam Illuminance (lux)										
Full RGBW (1)	2617	1163	654	419	291	214	164	129	105	87	73
Daylight (7300K)	2292	1019	573	367	255	187	143	113	92	76	64
CoolWhite (4340K)	2095	931	524	335	233	171	131	103	84	69	58
Warm White (3260K)	1732	770	433	277	192	141	108	86	69	57	48
Red (1)	355	158	89	57	39	29	22	18	14	12	10
Green(1)	921	409	230	147	102	75	58	45	37	30	26
Blue(1)	70	31	17	11	8	6	4	3	3	2	2
White(1)	1363	606	341	218	151	111	85	67	55	45	38

Notes:

(1) Calibration OFF and Red Correction OFF

(2) Angles are defined as per PLASA Standard ANSI E1.9-2007 (R2012)



Photometric Data - Lux
Fixed Beam Angle Lenses

14 Degrees Fixed Lens (2) - Lux

Distance (m)	3.1	4.6	6.1	7.6	9.1	10.7	12.2	13.7	15.2	16.8	18.3
Beam Diameter (m)	0.7	1.1	1.5	1.9	2.2	2.6	3.0	3.4	3.7	4.1	4.5
Color Mode	Center Beam Illuminance (lux)										
Full RGBW (1)	6867	3052	1717	1099	763	561	429	339	275	227	191
Daylight (7300K)	6143	2730	1536	983	683	501	384	303	246	203	171
CoolWhite (4340K)	5652	2512	1413	904	628	461	353	279	226	187	157
Warm White (3260K)	4709	2093	1177	753	523	384	294	233	188	156	131
Red (1)	940	418	235	150	104	77	59	46	38	31	26
Green(1)	2548	1132	637	408	283	208	159	126	102	84	71
Blue(1)	202	90	50	32	22	16	13	10	8	7	6
White(1)	3809	1693	952	609	423	311	238	188	152	126	106

19 Degrees Fixed Lens (2) - Lux

Distance (m)	3.1	4.6	6.1	7.6	9.1	10.7	12.2	13.7	15.2	16.8	18.3
Beam Diameter (m)	1.0	1.5	2.0	2.6	3.1	3.6	4.1	4.6	5.1	5.6	6.1
Color Mode	Center Beam Illuminance (lux)										
Full RGBW (1)	7203	3201	1801	1152	800	588	450	356	288	238	200
Daylight (7300K)	6312	2805	1578	1010	701	515	394	312	252	209	175
CoolWhite (4340K)	5718	2542	1430	915	635	467	357	282	229	189	159
Warm White (3260K)	4746	2109	1186	759	527	387	297	234	190	157	132
Red (1)	948	422	237	152	105	77	59	47	38	31	26
Green(1)	2562	1138	640	410	285	209	160	126	102	85	71
Blue(1)	200	89	50	32	22	16	13	10	8	7	6
White(1)	3714	1651	928	594	413	303	232	183	149	123	103

26 Degrees Fixed Lens (2) - Lux

Distance (m)	3.1	4.6	6.1	7.6	9.1	10.7	12.2	13.7	15.2	16.8	18.3
Beam Diameter (m)	1.4	2.1	2.8	3.5	4.2	4.9	5.6	6.3	7.0	7.7	8.4
Color Mode	Center Beam Illuminance (lux)										
Full RGBW (1)	4069	1808	1017	651	452	332	254	201	163	135	113
Daylight (7300K)	3573	1588	893	572	397	292	223	176	143	118	99
CoolWhite (4340K)	3275	1456	819	524	364	267	205	162	131	108	91
Warm White (3260K)	2713	1206	678	434	301	221	170	134	109	90	75
Red (1)	552	245	138	88	61	45	34	27	22	18	15
Green(1)	1457	647	364	233	162	119	91	72	58	48	40
Blue(1)	111	49	28	18	12	9	7	5	4	4	3
White(1)	2151	956	538	344	239	176	134	106	86	71	60

Notes:

- (1) Calibration OFF and Red Correction OFF
- (2) Angles are defined as per PLASA Standard ANSI E1.9-2007 (R2012)



Photometric Data - Lux
Fixed Beam Angle Lenses

36 Degrees Fixed Lens (2) - Lux

Distance (m)	3.1	4.6	6.1	7.6	9.1	10.7	12.2	13.7	15.2	16.8	18.3
Beam Diameter (m)	2.0	3.0	4.0	5.0	5.9	6.9	7.9	8.9	9.9	10.9	11.9
Color Mode	Center Beam Illuminance (lux)										
Full RGBW (1)	2518	1119	630	403	280	206	157	124	101	83	70
Daylight (7300K)	2208	981	552	353	245	180	138	109	88	73	61
CoolWhite (4340K)	2005	891	501	321	223	164	125	99	80	66	56
Warm White (3260K)	1658	737	415	265	184	135	104	82	66	55	46
Red (1)	334	148	84	53	37	27	21	16	13	11	9
Green(1)	886	394	221	142	98	72	55	44	35	29	25
Blue(1)	68	30	17	11	8	6	4	3	3	2	2
White(1)	1305	580	326	209	145	107	82	64	52	43	36

50 Degrees Fixed Lens (2) - Lux

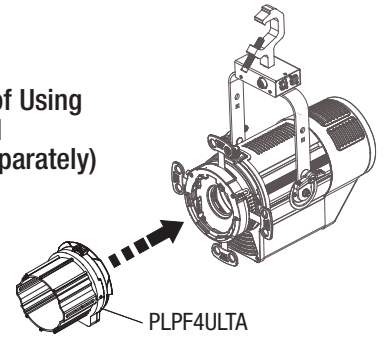
Distance (m)	3.1	4.6	6.1	7.6	9.1	10.7	12.2	13.7	15.2	16.8	18.3
Beam Diameter (m)	2.8	4.3	5.7	7.1	8.5	9.9	11.4	12.8	14.2	15.6	17.1
Color Mode	Center Beam Illuminance (lux)										
Full RGBW (1)	1430	636	358	229	159	117	89	71	57	47	40
Daylight (7300K)	1262	561	315	202	140	103	79	62	50	42	35
CoolWhite (4340K)	1150	511	288	184	128	94	72	57	46	38	32
Warm White (3260K)	955	425	239	153	106	78	60	47	38	32	27
Red (1)	188	84	47	30	21	15	12	9	8	6	5
Green(1)	513	228	128	82	57	42	32	25	21	17	14
Blue(1)	40	18	10	6	4	3	3	2	2	1	1
White(1)	759	337	190	121	84	62	47	37	30	25	21

Notes:

- (1) Calibration OFF and Red Correction OFF
- (2) Angles are defined as per PLASA Standard ANSI E1.9-2007 (R2012)



PLPROFILE4 MKII LED Luminaire is Capable of Using Lenses from Other Manufacturer's by the Optional Universal Lens Tube Adapter (PLPF4ULTA, sold separately)



Ordering Information

Cat No. Description

PLPROFILE4 MKII LED Luminaires		Accessories - Clamps	
PLPF4MKII-03	PLPROFILE4 MKII LED Luminaire LED Engine Only, Black, with C-Clamp, Top Box, Top Box Bolt, Safety Cable and PowerCON AC Input Connector	SC	Selecon Molded Yoke Rated C-Clamp
PLPF4MKII-03-14	PLPROFILE4 MKII LED Luminaire LED Engine, Black, with Axial Ellipsoidal 14° Fixed Beam Lens (SPX14LT), C-Clamp, Top Box, Top Box Bolt, Safety Cable and AC Input Cable (PC1XX*)	MC	Mega Claw, Black Anodized
PLPF4MKII-03-19	PLPROFILE4 MKII LED Luminaire LED Engine, Black, with Axial Ellipsoidal 19° Fixed Beam Lens (SPX19LT), C-Clamp, Top Box, Top Box Bolt, Safety Cable and AC Input Cable (PC1XX*)	Accessories - Top Box Assembly	
PLPF4MKII-03-26	PLPROFILE4 MKII LED Luminaire LED Engine, Black, with Axial Ellipsoidal 26° Fixed Beam Lens (SPX26LT), C-Clamp, Top Box, Top Box Bolt, Safety Cable and AC Input Cable (PC1XX*)	PLICB	Spare Top Box (Interconnect) Assembly
PLPF4MKII-03-36	PLPROFILE4 MKII LED Luminaire LED Engine, Black, with Axial Ellipsoidal 36° Fixed Beam Lens (SPX36LT), C-Clamp, Top Box, Top Box Bolt, Safety Cable and AC Input Cable (PC1XX*)	Accessories - Lens / Projection	
PLPF4MKII-03-50	PLPROFILE4 MKII LED Luminaire LED Engine, Black, with Axial Ellipsoidal 50° Fixed Beam Lens (SPX50LT), C-Clamp, Top Box, Top Box Bolt, Safety Cable and AC Input Cable (PC1XX*)	20IRIS	20-Leaf SPX Iris
PLPF4MKII-03-1535	PLPROFILE4 MKII LED Luminaire LED Engine, Black, with Axial Ellipsoidal 15° to 35° Zoomspot Lens (SPX1535LT), C-Clamp, Top Box, Top Box Bolt, Safety Cable and AC Input Cable (PC1XX*)	SPXGHB	SPX Gobo Holder, Size B, for Metal Gobos
PLPF4MKII-03-2550	PLPROFILE4 MKII LED Luminaire LED Engine, Black, with Axial Ellipsoidal 25° to 50° Zoomspot Lens (SPX1535LT), C-Clamp, Top Box, Top Box Bolt, Safety Cable and AC Input Cable (PC1XX*)	SPXGHB	SPX Gobo Holder, Size B, for Glass Gobos
		19PACCF	SPX Color Frame, Spare
		19PACSMFB	SPX Lens Safety, Mesh
		19SPXCF	SPX Replacement Color Frame, 6-1/4" Square, Black
		SPX14LT	SPX Axial Ellipsoidal 14° Fixed Beam Lens Tube Only
		SPX19LT	SPX Axial Ellipsoidal 19° Fixed Beam Lens Tube Only
		SPX26LT	SPX Axial Ellipsoidal 26° Fixed Beam Lens Tube Only
		SPX36LT	SPX Axial Ellipsoidal 36° Fixed Beam Lens Tube Only
		SPX50LT	SPX Axial Ellipsoidal 50° Fixed Beam Lens Tube Only
		SPX1535LT	SPX Axial Ellipsoidal 15° to 35° Zoomspot Lens Tube Only
		SPX2550LT	SPX Axial Ellipsoidal 25° to 50° Zoomspot Lens Tube Only
		PLPF4ULTA	Universal Lens Tube Adapter
		Accessories - AC Power Input Cables	
		PC1BE	PL Series Luminaire AC Power Input Cable (39 inches / 1 meter), PowerCON without AC connector (bare end)
		PC1GP	PL Series Luminaire AC Power Input Cable (39 inches / 1 meter), PowerCON with Stagepin Connector
		PC1GTL	PL Series Luminaire AC Power Input Cable (39 inches / 1 meter), PowerCON with Twistlock Connector
		PC1GR	PL Series Luminaire AC Power Input Cable (39 inches / 1 meter), PowerCON with Edison Connector
		Accessories - AC Interconnect Cables	
		PC3PC	PL Series Luminaire PowerCON Male to PowerCON Female 2.5 Meter Cable for interconnection between units
Accessories - Luminaire Software Uploader Cable			
PEGASUS	USB Luminaire Software Programming Kit (for updating or reloading luminaire software only) - includes USB Dongle, QuickStart Guide, and Carry Bag		

*This Luminaire utilizes a Neutrik PowerCON Type A blue power inlet and ships with a 39 inch PowerCON power input tail. If a factory-installed AC connector is required, for an additional charge, at time of ordering specify AC input connector (GR - Edison / GP - Grounded Stagepin / GTL - Twistlock).

Philips Selecon

Dallas
10911 Petal Street
Dallas, TX 75238
Tel: +1 (214) 647-7880
Fax: +1 (214) 647-8031

Auckland
19-21 Kawana Street
Northcote, Auckland 0627
New Zealand
Tel: + 64 9 481 0100
Fax: + 64 9 481 0101

www.seleconlight.com
© Philips Group 2016
All rights reserved.
The Company reserves the right to make any variation in design, construction or descriptions contained herein, of the equipment, at any time without prior notice. E&OE

Asia
Unit C, 14/F,
Roxy Industrial Centre
No. 41-49 Kwai Cheong Road
Kwai Chung, N.T., Hong Kong
Tel: +852 2796 9786
Fax: +852 2798 6545

Europe
European Service & Distribution Centre
Rondweg zuid 85
Winterswijk 7102 JD
the Netherlands
Tel: +31 (0) 543-542516

