



ALTMAN
LIGHTING



PHX LVD LED LUMINAIRES
INSTALLATION & USER'S MANUAL

Preface

The document provides basic information on installation and operational instructions for a qualified, trained installer. These instructions provide information for the following product:

PHX LVD Series

Additional product information can be found on our web site at www.altmanlighting.com or by scanning the QR code to the right.

Have a question regarding this manual?

The material in this manual is for information purposes only and is subject to change without notice. Altman Lighting assumes no responsibility for any errors or omissions which may appear in this manual. For comments and suggestions regarding corrections and/or updates to this manual, please visit the Altman Lighting web site at www.altmanlighting.com or contact your nearest [Altman Lighting Regional Manager](#).

El contenido de este manual es solamente para información y está sujeto a cambios sin previo aviso. Altman Lighting no asume responsabilidad por errores o omisiones que puedan aparecer. Cualquier comentario, sugerencia o corrección con respecto a este manual, favor de dirijirlo a la oficina de Altman Lighting más cercana.

Der Inhalt dieses Handbuches ist nur für Informationszwecke gedacht, Änderungen sind vorbehalten. Altman Lighting uebernimmt keine Verantwortung für Fehler oder Irrtuemer, die in diesem Handbuch auftreten. FürBemerkungen und Verbesserungsvorschlaege oder Vorschlaege in Bezug auf Korrekturen und/oder Aktualisierungen in diesem Handbuch, moechten wir Sie bitten, Kontakt mit der naechsten Altman Lighting Niederlassung aufzunehmen.

Should you have a suggestion or question regarding your Altman Lighting product, we would love to hear from you.

You can reach us at:

Altman Lighting
1400 East 66th Ave.
Denver, CO. 80229
+1 (303) 500-7072
www.altmanlighting.com
customerservice@altmanlighting.com
support@altmanlighting.com
sales@altmanlighting.com

Note: Information contained in this document may not be duplicated in full or in part by any person without prior written approval of Altman Lighting. Its sole purpose is to provide the user with conceptual information on the equipment mentioned. The use of this document for all other purposes is specifically prohibited.

Our Commitment

Altman Lighting continually engages in research related to product improvement. New materials, production methods and design refinements are introduced into existing products without notice as a routine expression of the philosophy. For this reason any current Altman Lighting product may differ in some respect from its published description, but will always equal or exceed the original design specifications unless otherwise noted.

Document Number: **49-0216**
Version as of: **2022 February 16**

Product Luminaire Installation & User's Manual
© Altman Lighting 2022. All rights reserved.

Important Information

Product Safety Notices



When using electrical equipment, basic safety precautions should always be followed including the following:

1. READ AND FOLLOW ALL SAFETY INSTRUCTIONS.
2. Do not mount near gas or electric heaters.
3. Equipment should be mounted in locations and at heights where it will not readily be subjected to tampering by unauthorized personnel.
4. Operate only in approved environments. Do not operate outside unless product is designed to do so.
5. The use of accessory equipment not recommended by the manufacturer may cause an unsafe condition.
6. Do not use this equipment for other than intended use.
7. Refer service to qualified personnel.

SAVE THESE INSTRUCTIONS.

Warnings



WARNING: You must have access to a main circuit breaker or other power disconnect device before installing any wiring. Be sure that power is disconnected by removing fuses or turning the main circuit breaker off before installation. Installing the device with power on may expose you to dangerous voltages and damage the device. A qualified electrician must perform this installation.

WARNING: Refer to National Electrical Code® and local codes for cable specifications. Failure to use proper cable can result in damage to equipment or danger to personnel.

WARNING: This equipment is intended for installation in accordance with the National Electric Code® and local regulations. Before any electrical work is performed, disconnect power at the circuit breaker or remove the fuse to avoid shock or damage to the control. It is recommended that a qualified electrician perform this installation.

WARNING: This Lighting Fixture IS NOT for residential installation or use.

WARNING: The structure where fixture(s) is to be mounted must be capable of supporting the weight of the fixture and its accessories. This fixture is for temporary, portable mounting only.

WARNING: The light source contained in this luminaire shall only be replaced by the manufacturer or his service agent or a similar qualified person.

THIS PRODUCT MUST BE INSTALLED IN ACCORDANCE WITH THE APPLICABLE INSTALLATION CODE BY A PERSON FAMILIAR WITH THE CONSTRUCTION AND OPERATION OF THE PRODUCT AND THE HAZARDS INVOLVED.

CE PRODUIT DOIT ÊTRE INSTALLÉ SELON LE CODE D'INSTALLATION PERTINENT, PAR UNE PERSONNE.

**CONSULT A QUALIFIED ELECTRICIAN TO ENSURE CORRECT BRANCH CIRCUIT CONDUCTOR.
CONSULTER UN ÉLECTRICIEN QUALIFIÉ POUR VOUS ASSURER QUE LES CONDUCTEURS DE LA
DÉRIVATION SONT ADÉQUATS.**

FCC Notice

This equipment has been tested and found to comply with the limits for a Class A digital device, pursuant to part 15 of the FCC Rules. These limits are designed to provide reasonable protection against harmful interference when the equipment is operated in a commercial environment. This equipment generates, uses, and can radiate radio frequency energy and, if not installed and used in accordance with the instruction manual, may cause harmful interference to radio communications.

Operation of this equipment in a residential area is likely to cause harmful interference in which case the user will be required to correct the interference at his own expense.

Altman Lighting Product Warranty

Warranty Terms

Altman Lighting, Inc., a subsidiary of Altman Stage Lighting Company, Inc., herein referred to as Altman, warrants each new product (except for spare parts or products Altman does not manufacture) for a period of FIVE (5) years and ONE (1) day from date of shipment to correct by repair or replacement any part defect due to faulty material or workmanship.

Altman warrants for NINETY (90) days any spare part it manufactures. On spare parts or products Altman does not manufacture, including, but not limited to, lamps, sockets, lenses, roundels, electronics, ignitors, ballasts, etc.; Altman will grant the same warranty given Altman by its vendors. Altman assumes no responsibility for damage or faulty performance caused by misuse, improper installation, careless handling or where repairs have been attempted by others. This warranty is in lieu of all warranties or guarantees expressed or implied and no representative or person is authorized to assume Altman any other liability with the sale of Altman's products.

Altman assumes no responsibility for damage or faulty performance caused by misuse, improper installation, careless handling or where repairs have been attempted by others.

This warranty is in lieu of all warranties or guarantees expressed or implied and no representative or person is authorized to assume Altman any other liability with the sale of Altman's products.

Warranty Service

The customer must receive a Return Material Authorization (RMA) number prior to return, return shipment must be visibly marked with the RMA number and the product must be returned (shipping prepaid) to the factory at:

1400 East. 66th Avenue
Denver, CO 80229 USA
+1-303-500-7072
support@altmanlighting.com

The return must be within THIRTY (30) days of receiving the RMA from Altman. Altman warrants for NINETY (90) days any spare part it manufactures. On spare parts or products Altman does not manufacture, such as lamps, sockets, lenses, roundels, electronics, ignitors, ballasts, etc. Altman will grant the same warranty given Altman by its vendors.

Table Of Contents

Have a question regarding this manual?	2
Important Information	3
About this Manual	6
Product Descriptions	6
Accessories	6
PHX LVD Series LED Luminaires Overview	7
PHX LVD Series Luminaires Components	7
Installation And Setup	8
Power Requirements	8
Connecting Power	8
Mains Dimming	8
C-Clamp Installation	9
Safety Cable Installation	9
Installing Fixture Features and Accessories	10
Focus Adjustment (Fixed Focus Models)	10
Focus and Zoom Adjustment (Zoomable Focus Models)	10
Setting Zoom (Beam Angle)	10
Setting Focus	10
Rotating Shutter Assembly (All Models)	11
Shutter Movement	11
Accessory Holder	12
Drop In Iris Slot (All Models)	13
Gobo / Soft Focus Lens Adapter Slot (All Models)	13
Yoke Assembly	14
Cleaning And Care	15
Lens Cleaning	16
Troubleshooting	17
Troubleshooting Guide	17
Technical Specifications	18
PHX LVD LED Luminaires Common Specifications	18

About this Manual

The document provides installation and operation instructions for the following products:

- **PHX LVD LED Luminaires**

Please read all instructions before installing or using this product. Retain this manual for future reference.

Product Descriptions

This manual covers the all PHX LVD LED Luminaires models. Because these fixtures are configured at the time of ordering, please refer to the current product specification sheet for the model numbers and descriptions.

Accessories

Contact your Authorized Altman Lighting Dealer for price and availability of all accessories for PHX LVD LED Luminaires. Additional information can be found on the Altman Lighting web site at www.altmanlighting.com.

PHX LLED Luminaires Lens Tubes & Gate

Part Number	Description	LED Array(s)	Available Lenses	Body Color/Finish
PHX LVD	200 Watts	3K (White)	Fixed Lenses: 5°, 10°, 19°, 26°, 36°, 50°	Black (B) or White (W)
		5K (White)	Zoom Lenses: 15° to 35° (15Z) and 30° to 55° (30Z)	

PHX LVD LED Luminaires Accessories

Part Number	Description
4.5-CFB	Color Frame, 6-1/4" x 6-1/4"
10-CFB	Black Color Frame, 12" x 12" (Included with PHX-10)
12-CFB	Black Color Frame, 14" x 14" (Included with PHX-5)
510	Malleable Iron Pipe Clamp
510-HD	Heavy Duty Malleable Iron Pipe Clamp
SC-36-BK	36" Black Safety Cable with Spring Clamp
4.5-DN	6-1/4" x 6-1/4" Donut, Black with 2-1/2" Hole
10-DN	12" x 12" Donut, Black for 10° lens
12-SN	14" x 14" Donut, Black for 5° lens
PDII	Phoenix Drop In Iris
PHX-SFLGSA	PHX Soft Focus lens with A Size Pattern Holder
PHX-PHGSA	A Size Steel Pattern Holder (100mm OD / 75mm IA)
PHX-PHGSB	B Size Steel Pattern Holder (86mm OD / 64.5mm IA)
PHX-PHGSB-GLS	B Size Glass Pattern Holder (82mm OD / 64.5mm IA)
PHX-PHGS86-GLS	B Size Glass Pattern Holder (86mm OD / 64.5mm IA)
PHX-PHISB	B Size Steel Pattern Holder (86mm OD / 64.5mm IA) for Iris Slot
PHX-PHISA-GLS	A Size Glass Pattern Holder (100mm OD / 75mm IA) for Iris Slot
PHX-PHISB-GLS	B Size Glass Pattern Holder (82mm OD / 64.5mm IA) for Iris Slot
PHX-PHIS86-GLS	B Size Glass Pattern Holder (86mm OD / 64.5mm IA) for Iris Slot
PCL-PBG-12-*	5' 20A PowerCON with Parallel Blade U Ground (Edison)
PCL-2P&G-12-5-*	5' 20A PowerCON with 2P&G Stage Pin Connector, Male
PCL-TLG-12-5-*	5' 20A PowerCON with L5-20P Twist Locking Ground Connector, Male
PCL-BARE-12-5-*	5' 20A PowerCON with Bare End Lead

PHX LVD Series LED Luminaires Overview

PHX LVD Series Luminaires Components

Fixed Focus Models

Figure 1 shows the basic features of Fixed Models.

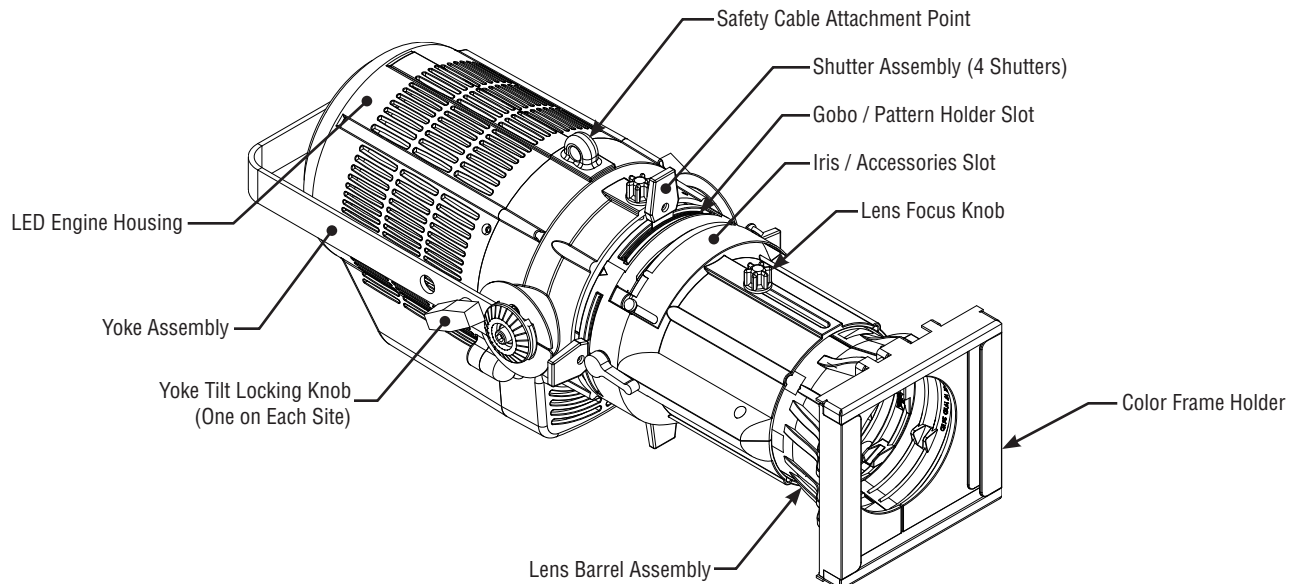


Figure 1: Fixed Focus Model Features

Zoomable Focus Model

Figure 2 shows the basic features of Zoomable Focus Models.

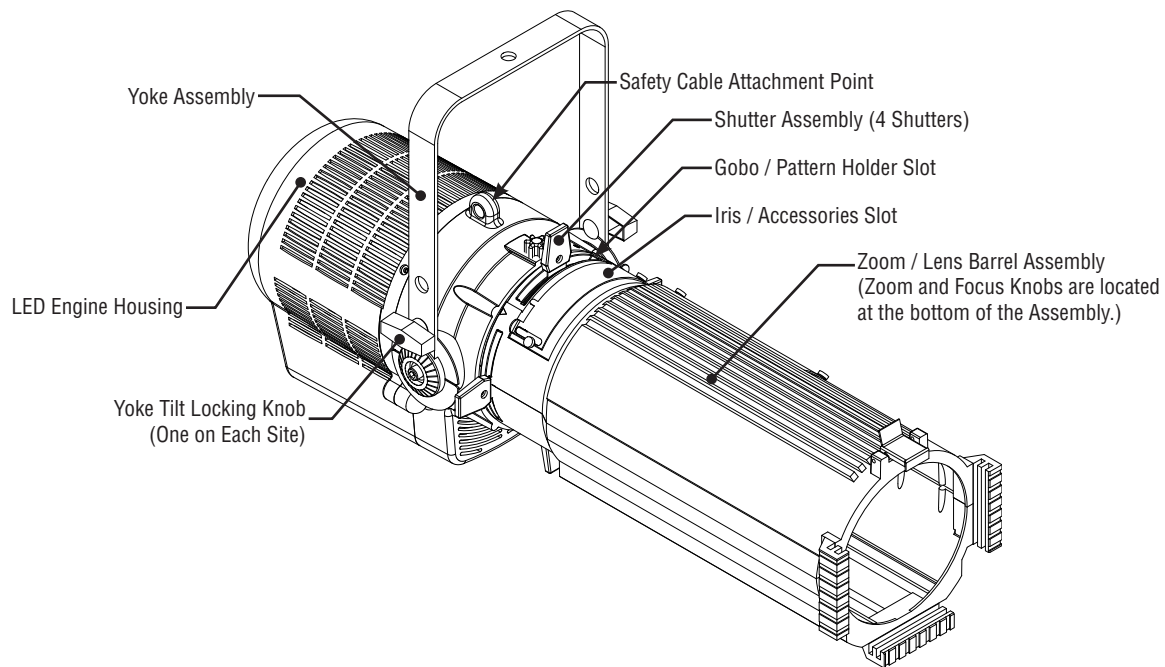


Figure 2: Zoomable Focus Model Features

Installation And Setup

Power Requirements



WARNING! The maximum allowable input current is 20 Amps. Do not overload circuits! Luminaires must be supplied by a branch circuit protected by a maximum 20 Amp circuit protector. Doit être alimenté par un circuit de dérivation protégé par un maximum de 20 ampères circuit protecteur. Ne surchargez pas les circuits!



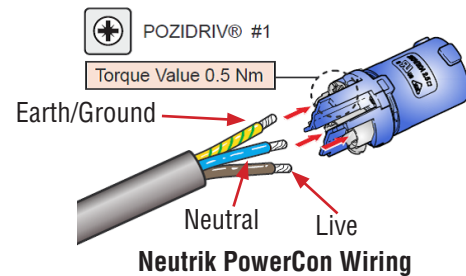
The PHX LVD LED operates on 100 to 230VAC, single phase only and draws a maximum of 200 Watts. This luminaire can be connected to a dimmer or a dimmer-controlled circuit or a circuit providing constant power..

Connecting Power

The PHX Series LED Luminaires are powered via an AC input cable from 100 to 240VAC, 50/60Hz and draw approximately 200 Watts of power. The table below outlines the wire colors and their purpose. The PHX Series LED Luminaires can be wired into a Phase Cut or Triac Dimmer.

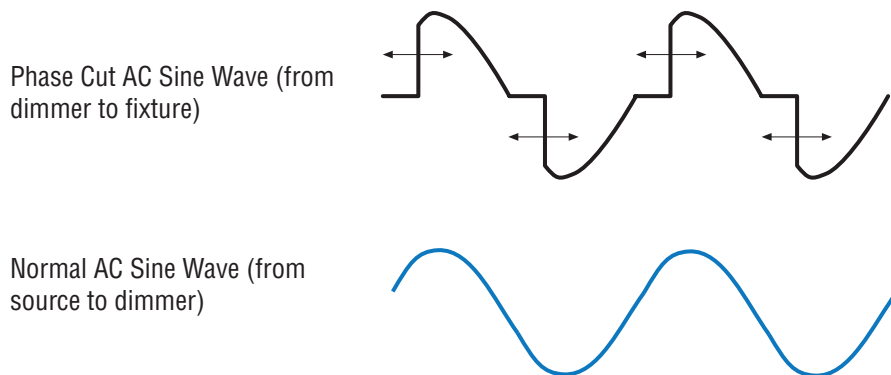
WIRE COLOR	PURPOSE
Brown or Black	Main / (L)ine
Blue or White	(N)eutral
Green/Yellow or Green	Ground / Earth

Table 1: AC Input Wiring



Mains Dimming

The PHX LVD LED employs dimming technology that is compatible with many dimmer types, The overall performance of the mains dim. functionality is based upon the dimmer type and its resolution. The PHX LVD LED has been designed as a true mains dim luminaire. When both the PHX LVD and the Altman Pegasus or Chalice are connected to the same dimmer or type they will display similar dimming curves.



C-Clamp Installation

The provided c-clamp should be installed as shown in **Figure 2**. Only use the hardware supplied with the c-clamp.

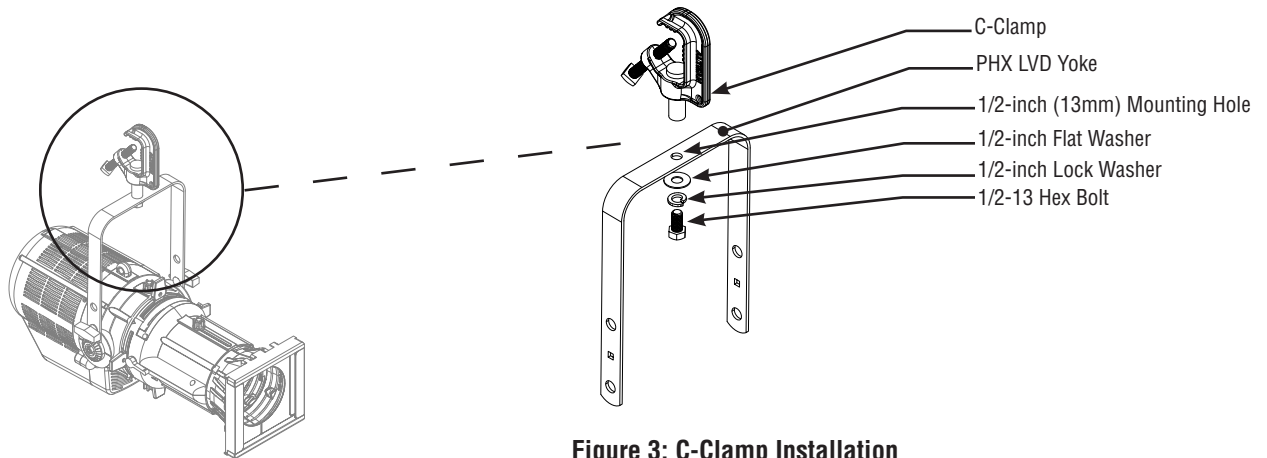


Figure 3: C-Clamp Installation

To Install the C-clamp:

1. With luminaire on a flat, sturdy surface, position yoke assembly for easy access as illustrated in **Figure 2**.
2. Place on 1/2-13 hex bolt, in this order, the 1/2-inch lock washer and then the 1/2-inch flat washer.
3. Insert bolt into hole on yoke assembly.
4. Position c-clamp over bolt and thread bolt into c-clamp.
5. Tighten bolt.

Safety Cable Installation

The provided safety cable should be installed in accordance to local and national codes.



NOTE: The safety cable (supplied with unit) should be used and may be required by local and/or national codes when hanging this luminaire. The mounting structure must be capable of supporting the weight of the fixture, lens, cabling, any accessories, etc.

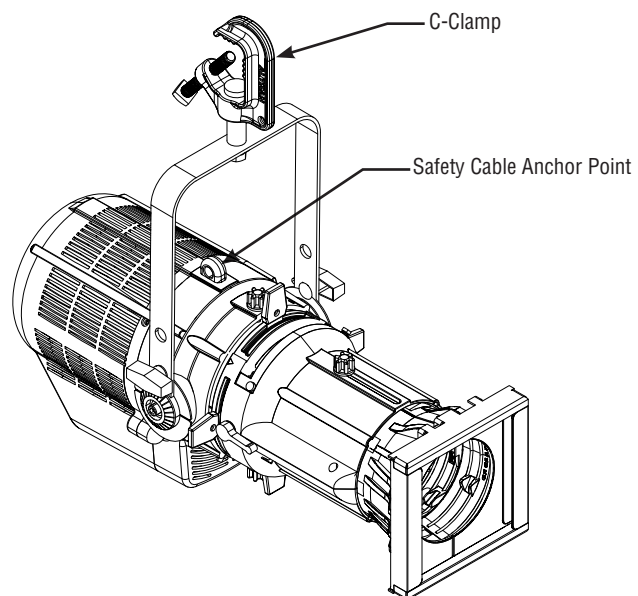


Figure 4: Safety Cable Installation

Installing Fixture Features and Accessories

PHX Series LED Luminaires accept a variety of accessories and has several on-board features. This section will describes what accessories can be used, how to install them and how to use the various features of the fixture.



CAUTION: When installing accessories, it is best practice to do so with the fixture on a flat and stable work surface. If this is not possible, when installing accessories when the fixture is mounted above, be sure to install the accessory with no one below the fixture in the event the accessory is dropped.



NOTE: There are many aftermarket accessories for Altman Lighting products available through third-party suppliers. When considering these aftermarket accessories, we suggest that you consult with your Altman Regional Sales Manager beforehand regarding capability and effects on product performance.

Focus Adjustment (Fixed Focus Models)

Focusing PHX Series LED Luminaires is straight forward. Position the fixture as needed, loosen, but do not remove, the lens focus knob (refer to [Figure 1 on page 7](#)) and slide lens forwards or backwards until desired focus is achieved. Once focus is set, hand-tighten lens focus knob.

Focus and Zoom Adjustment (Zoomable Focus Models)

Zoomable models offer users the ability to zoom the lens to various beam angles (refer to the model purchased for available beam angles).

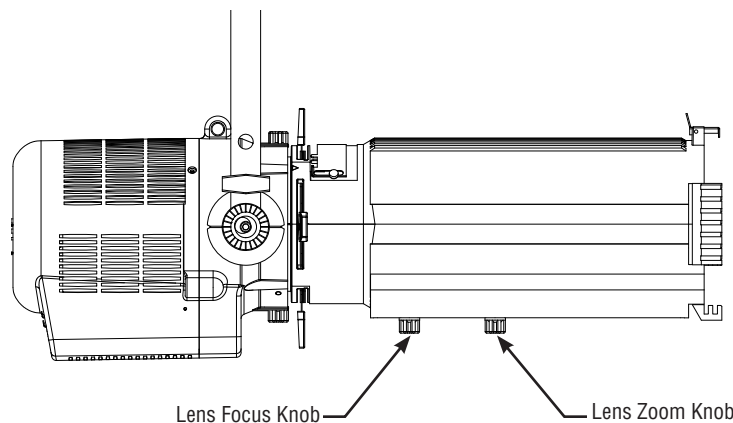


Figure 5: Safety Cable Installation

Setting Zoom (Beam Angle)

Position the fixture as needed, loosen, but do not remove, the lens zoom knob (refer to [Figure 6](#)). Slide lens forwards or backwards until desired zoom is achieved. After zoom is set as desired, hand-tighten the zoom knob. Once beam angle is set, hand-tighten lens zoom knob. Proceed to adjust focus (if required).

Setting Focus

To set the beam focus on zoomable models, loosen, but do not remove, the lens focus knob (refer to [Figure 6](#)) and slide lens forwards or backwards until desired focus is achieved. Once focus is set, hand-tighten lens focus knob.

Rotating Shutter Assembly (All Models)

If rotating the shutter assembly is required, loosen, but do not remove, shutter rotation lock knob (**see Figure 7**) on fixture. Using both hands, rotate the shutter assembly (in either direction) until in the desired position. Hand-tighten shutter rotation lock knob.

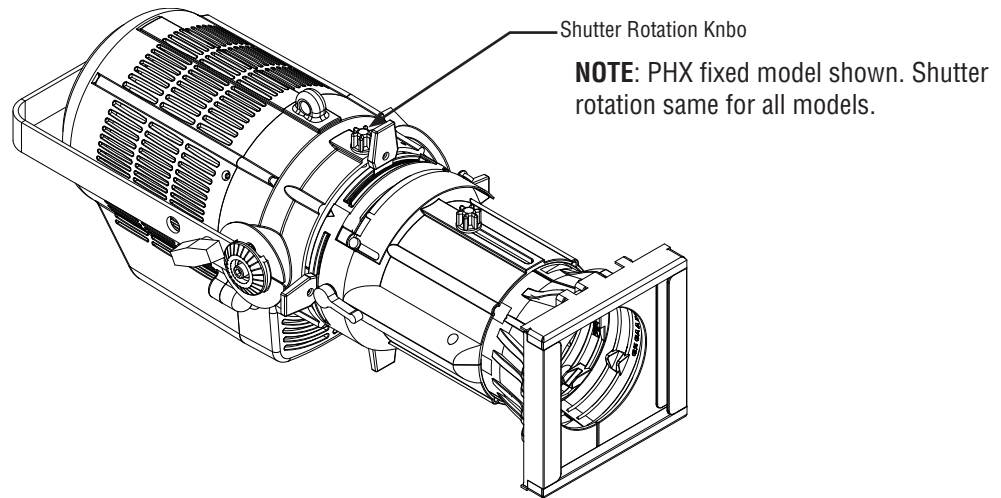


Figure 6: Shutter Rotation Knob

Shutter Movement

Each PHX LED Luminaire offers four (4) shutter blades that can be moved in or out of the fixture's light beam. To set the shutters, first set the beam as needed (refer to [“Focus Adjustment \(Fixed Focus Models\)”](#) on page 10 or [“Focus and Zoom Adjustment \(Zoomable Focus Models\)”](#) on page 10 as applicable), disengage the shutter lock, move shutters as desired.

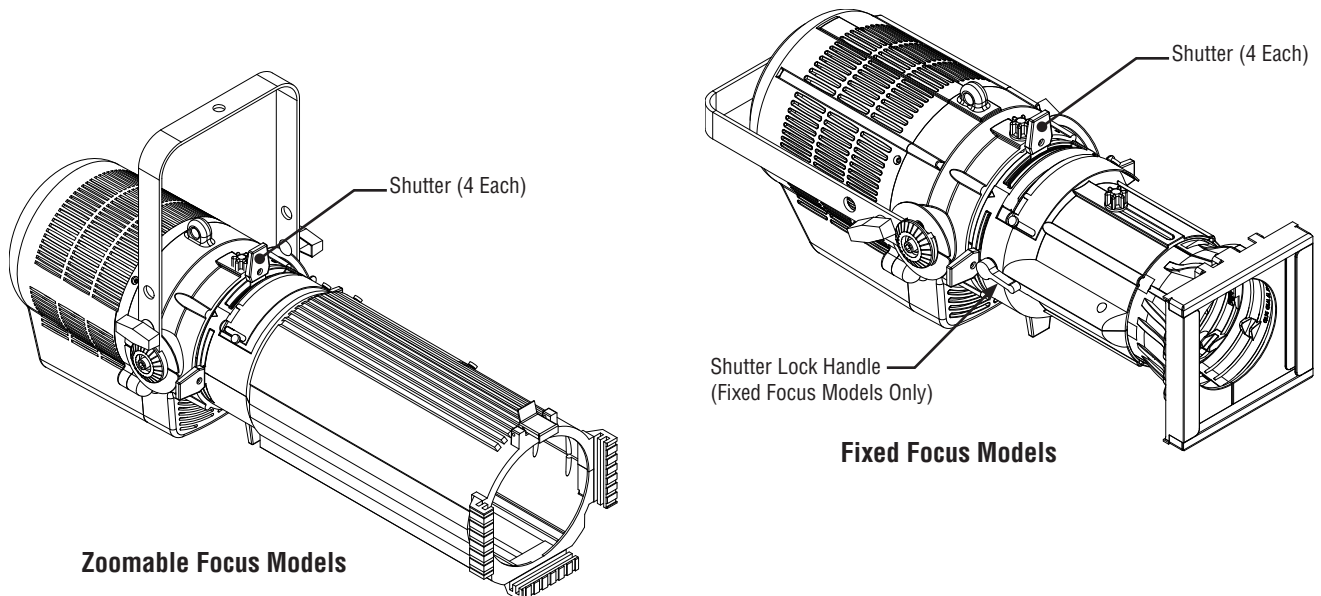


Figure 7: Shutter Rotation Knob



NOTE: On fixed focus units, the shutters can be locked into position by engaging the shutter lock (see Figure 8) on side of the luminaire. Users will know when the shutter lock is engaged when the shutter, when grabbed by the hand, does not easily move.

Accessory Holder

Each PHX Series LED Luminaire is equipped with an end of lens accessory holder to hold the supplied color frame. Please note which model you have. The accessory holder for fixed focus and zoomable models are different and are operated differently

Accessory Holder (Fixed Focus Models)

On fixed focus models, the accessory holder latch is opened by sliding the cover to the side, lift up on the cover, insert accessory, and close the cover. Make sure the retaining cover locks back in place

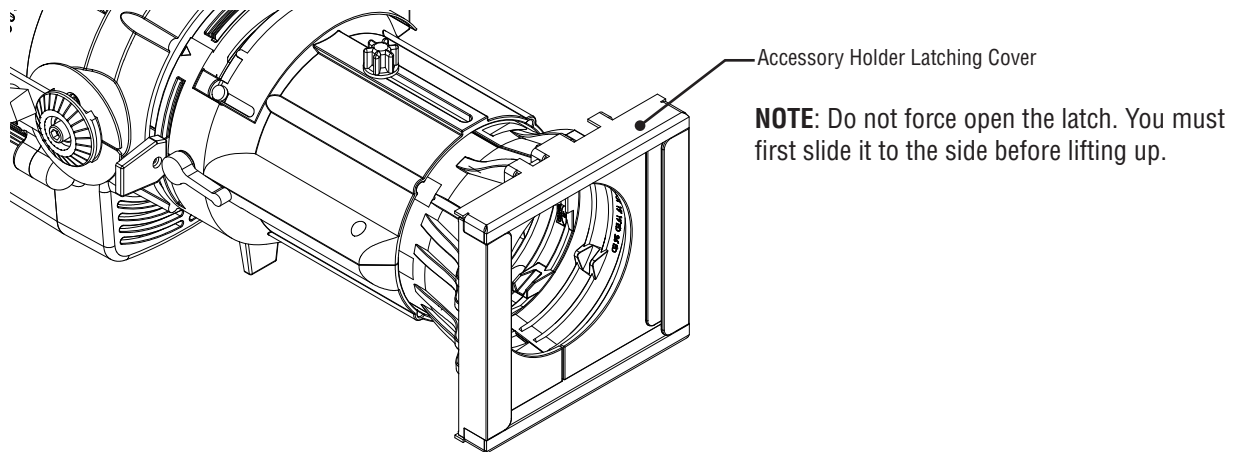


Figure 8: Accessory Holder Latching Cover (Fixed Focus Models)

Accessory Holder (Zoomable Focus Models)

On zoomable focus models, the accessory holder has a small latch that is released by sliding it to the side, lift up on the latch, insert accessory, and close the latch make sure the retaining latch locks back in place.

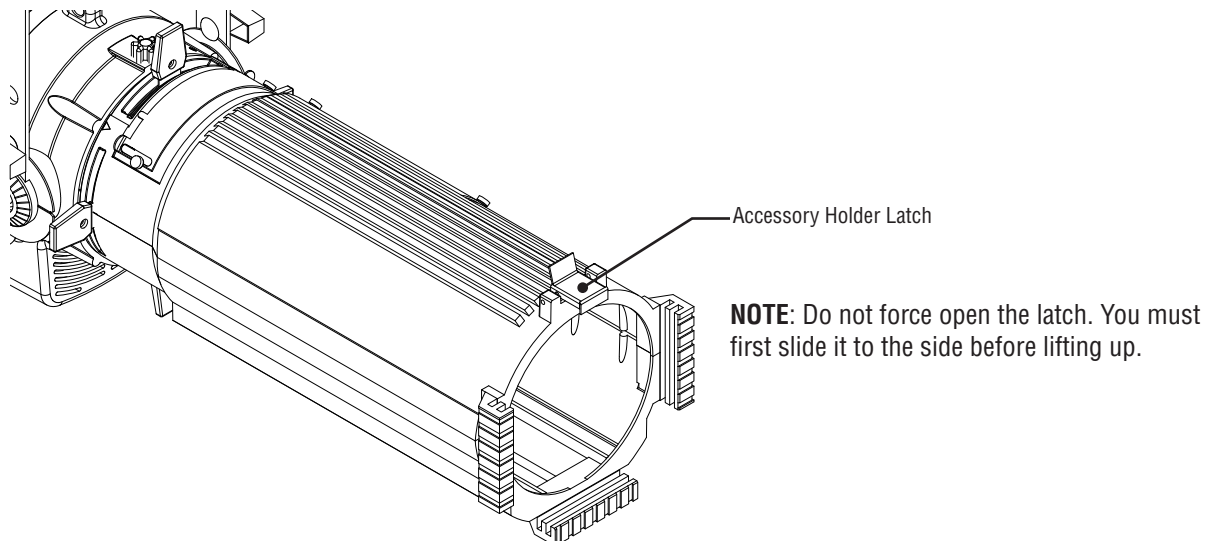
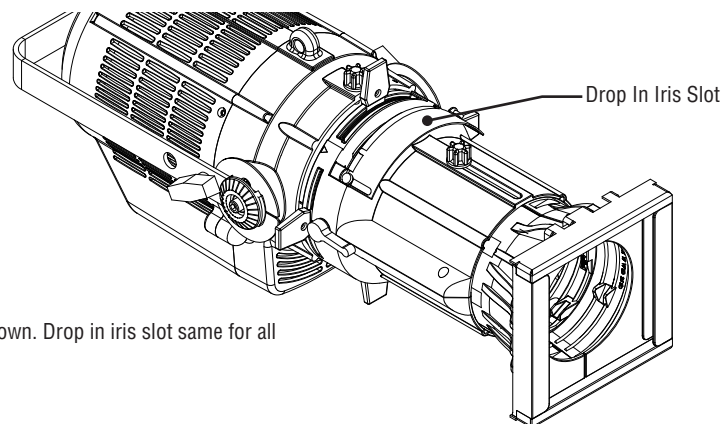


Figure 9: Accessory Holder Latch (Zoomable Models)

Drop In Iris Slot (All Models)

Each PHX LED Luminaire's lens has a large opening for a drop in iris or motorized pattern device / gobo rotator (by others). This slot has a retractable cover in order to prevent light leak when not in use and should be closed as far as possible when in use.



NOTE: PHX fixed model shown. Drop in iris slot same for all models.

Figure 10: Drop In Iris Slot

! NOTE: To avoid damage to the fixture, insert the flat side of the accessory towards the shutters

Gobo / Soft Focus Lens Adapter Slot (All Models)

Each PHX LED Luminaire's lens has an opening for a gobo holder (templates and gobos by others or for the soft focus lens adapter (supplied with unit)).

You must follow the gobo manufacturer's instructions on how to handle and use a gobo in your fixture. Always place the most reflective side towards the light source.

The unit is also supplied with a soft focus lens. The soft focus lens is a pattern holder with a special lens material that allows the LED fixture to appear like a conventional ellipsoidal. The matte side of the material should face the LED light source - shiny side towards the front of the lens.

Note: PHX fixed focus model shown. Gobo/soft focus lens adapter slot same for all models.

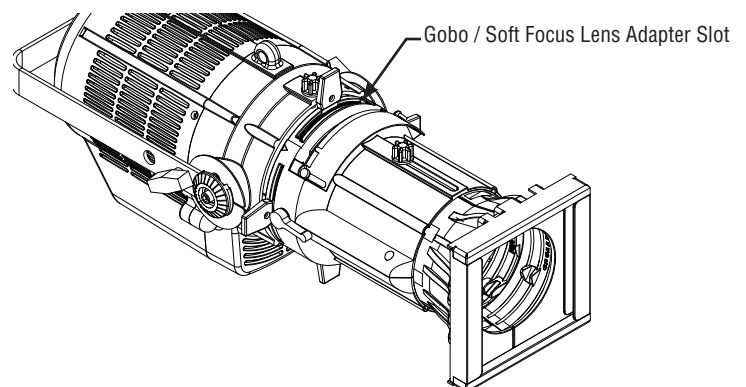


Figure 11: Gobo / Soft Focus Lens Adapter Slot

Notes:

- Recommended practice when using metal gobos - depending upon the complexity of the pattern - it may be possible to view an afterimage of the gobo if shutters are used in conjunction with the gobo. If an after image is seen, it is recommended to black out the steel pattern using high temperature black spray paint or request this process from the gobo manufacturer.
- If the image requires extremely sharp-focused edges it is always recommended that a Donut is installed to help with image quality.
 - For fixed focus units 19, 26, 36, and 50 degree models, use part number 4.5-DN
 - For zoomable focus models, use part number 6-DN
 - For 10 degree models, use part number 10-DN
 - For 5 degree models, use part number 12-DN

Yoke Assembly

The PHX LVD Luminaire can have its tilt adjusted via the two lock off handles on each side of the luminaire. Simple loosen (but DO NOT REMOVE) each handle so the unit is able to swing up and down. Set tilt as desired and re-tighten the two lock off handles so the unit does not move from the set position.

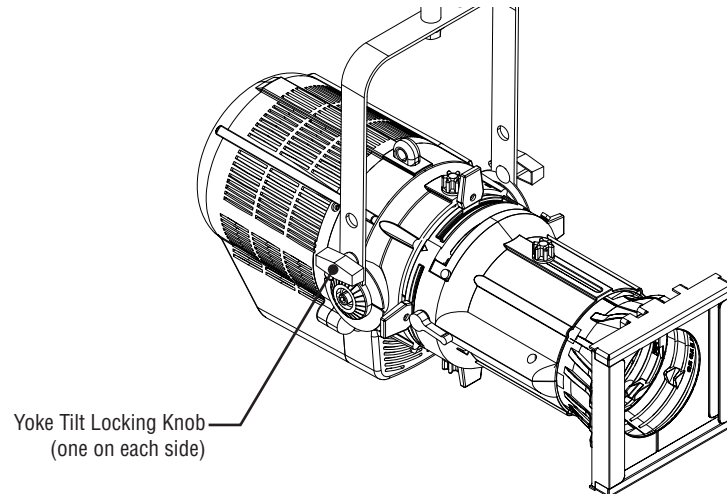


Figure 12: Yoke Assembly

Short Yoke Position

The yoke assembly has two sets of mounting holes to decrease the distance of the hanging position. To set the unit to a short yoke position, you will need a 1/4-inch hex head (Allen) wrench (by others).

To reposition the yoke assembly to short yoke position:

Step 1. Place fixture on a flat, sturdy work surface. Remove power from fixture

Step 2. At yoke tilt lock knobs, remove both tilt lock knobs and associated hardware. Set aside for reinstallation.

Step 3. As shown in **Figure 13**, using a 1/4-inch hex head wrench (by others), remove yoke bolts, cup washers, and pivot covers. Please note order of hardware for reinstallation. Set hardware aside.

Step 4. Position yoke assembly so secondary mounting holes are aligned with fixture yoke mounting position.

Step 5. Reinstall yoke bolts, cup washers, and pivot covers in order removed in Step 3.

Step 6. Reinstall tilt lock knobs and associated hardware in order removed in Step 2. Washer is positioned between handle and yoke assembly.

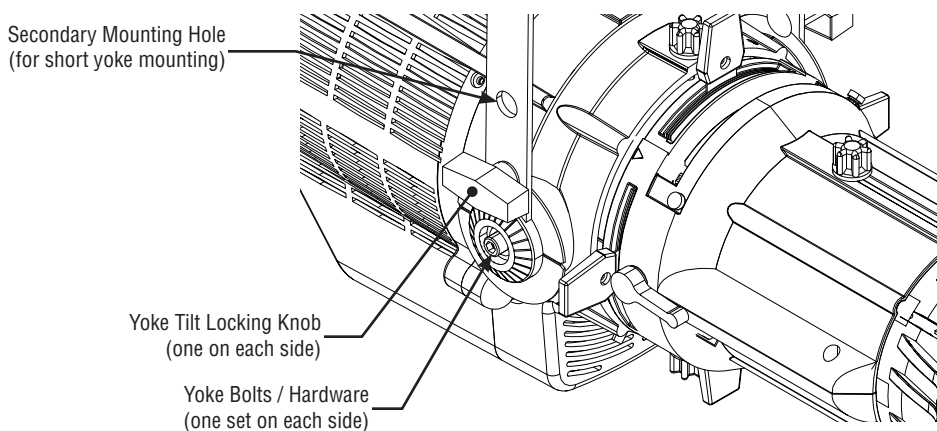


Figure 13: Yoke Hardware

Cleaning And Care



WARNING! All cleaning should be performed with power completely removed from the luminaire. Never remove protective covers when luminaire is powered. Wear appropriate protective eye wear and gloves when cleaning the fixture. All service and maintenance, other than described herein, should be performed by a qualified technician or Authorized Service Center. AT NO TIME SHOULD THE LED BE TOUCHED.

Being a solid-state fixture, and unlike most fixtures, the PHX LVD Series LED Luminaire requires very little routine maintenance by the user. This section covers portions of the luminaire that can be removed for cleaning.

The PHX LVD Series Luminaire LED requires special care when it comes to cleaning the front reflector assembly. Additional care needs to be taken with the plastic components because they are much easier to scratch or damage than glass.

The following is a list of cleaning materials required to care for your PHX LVD Series LED Luminaire:

- Lint free lens tissue
- Lint or powder free gloves
- Reagent grade isopropyl alcohol*
- A mild soap solution.



Reagent grade isopropyl alcohol is good to use on the PHX LVD Series LED Luminaire plastic optics with anti-reflection coatings.

If the lens is still dirty after using isopropyl alcohol, for instance if fingerprints or oil is just redistributed and not cleaned off the optic, then a mild soap and water solution can be used to gently wash the lens. Repeat the cleaning with isopropyl alcohol to eliminate streaks and soap residue.



Under no circumstances should ammonia-based cleaners, acetone, or other harsh solvents be used on or near the PHX LVD Series LED Luminaire. These types of cleaners or solvents can permanently damage the optics or housings of the fixture. If you have any questions regarding the use or care of your PHX LVD Series LED Luminaire, please contact Altman Lighting technical support or your local Authorized Dealer.

If you have any questions regarding the use or care of your PHX LVD Series LED Luminaires, please contact Altman Lighting technical support at support@altmanlighting.com or your local Authorized Dealer.

Routine Preventative Maintenance: Regular routine maintenance should be performed at least twice a year. Additional inspections and cleaning may be necessary and more often depending upon the the environment and hours of use of each luminaire. (see previous page for cooling fin location (Heat Sink Location))

1. Turn off luminaire and allow to cool completely.
2. Check for excessive dust or debris in the heat sink area of the luminaire
3. Wipe and remove all debris, dirt, dust from the cooling fins (a can of clean compressed air can be used to blow out from one side of the luminaire to the other.



Do not blow dust into the open cavity of the PHX Luminaire.

NOTE: keeping these components clean will facilitate efficient cooling and extend LED life.

Using a second lint-free lens tissue, wipe off any alcohol residue.

Lens Cleaning

Front Lens (Exterior)

To clean the exterior front lens:

- Step 1. Turn off luminaire and allow to cool completely.
- Step 2. Apply a small amount of reagent grade isopropyl alcohol to lint-free lens tissue.
- Step 3. Wipe all debris, dirt, fingerprints, etc. from lens.
- Step 4. Using a second lint-free lens tissue, wipe off any alcohol residue.

Front Lens (Interior)

To clean the interior of front lens:

- Step 1. Turn off luminaire and allow to cool completely.
- Step 2. Remove lens assembly.
- Step 3. Apply a small amount of reagent grade isopropyl alcohol to lint-free lens tissue.
- Step 4. Wipe all debris, dirt, fingerprints, etc. from lens.
- Step 5. Using a second lint-free lens tissue, wipe off any alcohol residue.
- Step 6. Once lens is completely dry, reinstall lens assembly.

Service and Maintenance

If you have any questions regarding the use or care of your PHX LVD Series LED Luminaires, please contact Altman Lighting technical support at support@altmanlighting.com or your local Authorized Dealer.



WARNING! Disassembly (other than as described herein), alterations, unauthorized service, etc. will void the product warranty. Contact your local Altman Lighting office or an Authorized Service Center for technical support and service.

Troubleshooting

Troubleshooting Guide

The chart below provides possible causes and remedies for various error messages and/or symptoms. If this chart is unable to address your issue, please contact your authorized dealer or Altman customer service at 1.303.500.7072 or support@altmanlighting.com for assistance.



WARNING! Any service and maintenance (including troubleshooting), other than described herein should be performed by an Authorized Altman Lighting Dealer or Service Center.

DESCRIPTION	ISSUE	POSSIBLE CAUSE/REMEDY
No light output	Fixture will not produce or output light and connected to power	Check connected dimmer
Low light output	Fixture produces low light output and connected to power.	Check to see connected dimmer for upper threshold settings.
No power at luminaire	Luminaire does not power up.	Circuit not energized...verify circuit breaker is turned on. Not plugged in...ensure A/C cable is connected to power source. Power cable wired incorrectly...verify power cable and connector are wired correctly. See "Connecting Power" on page 6 for more information.

Technical Specifications

PHX LVD LED Luminaires Common Specifications

Materials:	Corrosion-resistant materials and hardware
Control:	Mains Dimmable
Light Engine:	LED Array-Available in 3000K, 5000K
Beam Lumens:	See photometrics
CRI:	>93
CQS:	88
TM-30-15 Rf (3k):	89
TM-30-15 Rg (3k):	99
Rated LED Life:	Array rating >50,000 hours to L70
Input Voltage:	100-240 VAC 50/60 Hz (internal dip switch setting for 230 VAC dimming curve)
Watts:	200
Current Draw:	1.66A at 120VAC / 0.86A at 230VAC
LED Engine Cooling:	Active Cooling at <19 dBA
Environment:	0 - 40°C (32 - 104°F) with humidity of 5-95% non-condensing)
Weight:	25.5 lbs. (12.81 kgs.)
Body Color:	Black or White
Compliance:	cETLus listed for indoor use and CE marked. PENDING
Warranty:	Five (5) years and One (1) day
Support:	Supported Forever - free phone and online tech support for the life of your product.