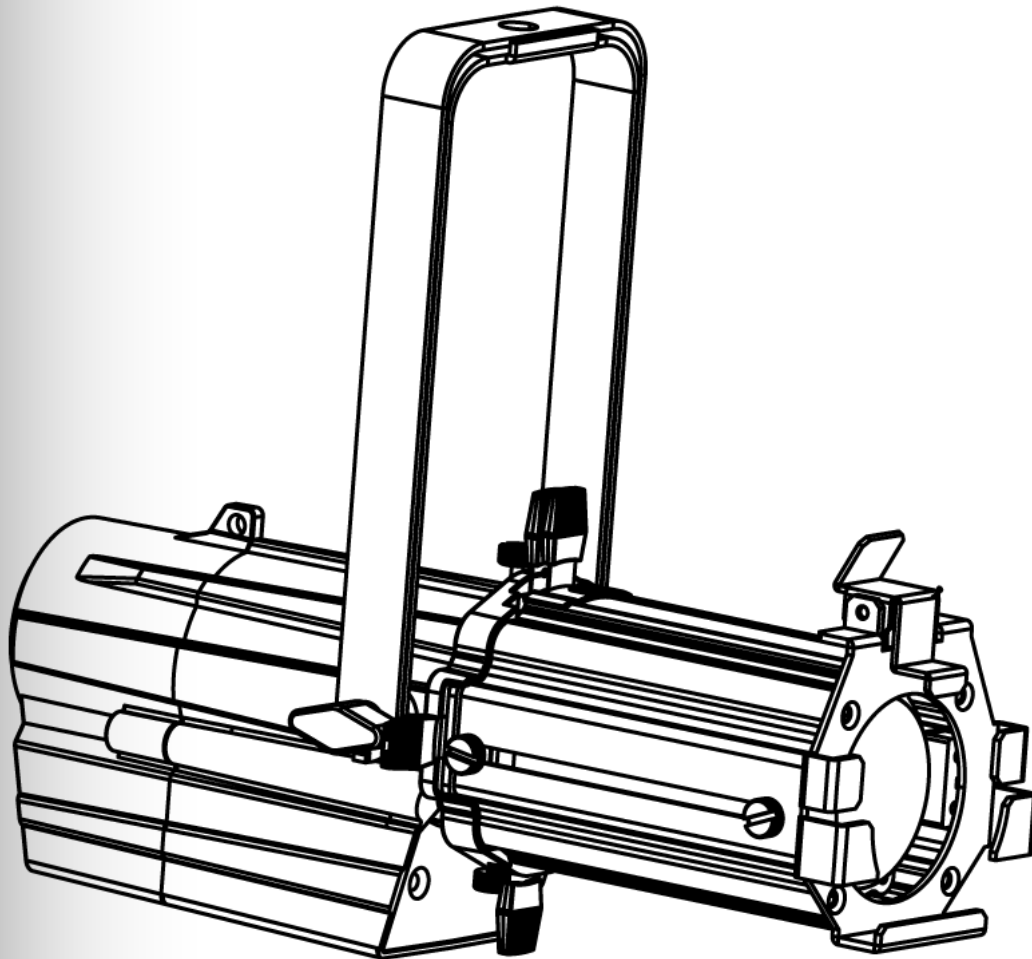


Ovation

MIN-E-10WW

User Manual




CHAUVET[®]
PROFESSIONAL

Edition Notes The OVATION Min-E-10WW User Manual Rev. 7 covers the description, safety precautions, installation, programming, operation, and maintenance of the OVATION Min-E-10WW. Chauvet released this edition of the OVATION Min-E-10WW User Manual in 2017.

Trademarks CHAUVET is a registered trademark of CHAUVET & Sons, LLC. (d/b/a CHAUVET or Chauvet). The CHAUVET logo in its entirety including the Chauvet name and the dotted triangle, and all other trademarks in this manual pertaining to services, products, or marketing statements are owned or licensed by Chauvet. Any other product names, logos, brands, company names, and other trademarks featured or referred to within this document are the property of their respective trademark holders.

Copyright Notice Chauvet owns the content of this User Manual in its entirety, including but not limited to pictures, logos, trademarks, and resources.

© **Copyright 2017 Chauvet. All rights reserved.**

Electronically published by Chauvet in the United States of America.

Manual Use Chauvet authorizes its customers to download and print this manual for professional information purposes only. Chauvet expressly prohibits the usage, copy, storage, distribution, modification, or printing of this manual or its content for any other purpose without written consent from Chauvet.

Document Printing For better results, print this document in color, on letter size paper (8.5 x 11 in), double-sided. If using A4 paper (210 x 297 mm), configure your printer to scale the content accordingly.

Intended Audience Any person in charge of installing, operating, and/or maintaining this product should completely read through the guide that shipped with the product, as well as this manual, before installing, operating, or maintaining this product.

Disclaimer Chauvet believes that the information contained in this manual is accurate in all respects. However, Chauvet assumes no responsibility for any errors or omissions in this document. Chauvet reserves the right to revise and make changes to the content of this document without obligation that Chauvet notify any person or company of such revision or changes. This does not in any way constitute a commitment by Chauvet to make such changes. Chauvet may issue a revision of this manual or a new edition to incorporate such changes.

Document Revision The OVATION Min-E-10WW User Manual Rev. 7 supersedes all previous versions of this manual. Discard any older versions of this manual and replace with this version. Go to www.chauvetprofessional.com for the latest version.

Table of Contents

1. Before You Begin	1
What Is Included	1
Claims	1
Manual Conventions	1
Symbols	1
Safety Notes	2
Personal Safety.....	2
Mounting And Rigging.....	2
Power And Wiring	2
Operation	2
Expected LED Lifespan	2
2. Introduction	3
Description	3
Features.....	3
Overview	3
Dimensions	4
3. Setup.....	5
AC Power.....	5
AC Plug.....	5
AC Dimmer	5
0–10 VDC Dimmer.....	5
Mounting	6
Orientation	6
Rigging.....	6
Procedure	6
4. Operation	7
Rotating the Barrel Assembly.....	7
Framing Shutters.....	7
Gobo Holder Slot.....	7
Gobo Holder.....	7
Lens Tube	7
Manual Beam Focus Control.....	7
Gel Frame Holder.....	7
5. Technical Information	8
Product Maintenance.....	8
Cleaning the Reflector Housing Lens.....	8
6. Technical Specifications.....	9
Photometrics Chart	10
Returns	11
Contact Us	11

1. BEFORE YOU BEGIN




- What Is Included**
- OVATION Min-E-10WW
 - Gel frame (2.75 in/70 mm accessories)
 - Gobo holder size: 37.5 mm (outside), 20 mm (image, glass), 25 mm (image, steel), 1 mm (max. thickness)
 - Warranty Card
 - Quick Reference Guide

Claims Carefully unpack the product immediately and check the box to make sure all the parts are in the package and are in good condition. If the box or the contents (the product and included accessories) appear damaged from shipping or show signs of mishandling, notify the carrier immediately, not Chauvet. Failure to report damage to the carrier immediately may invalidate your claim. In addition, keep the box and contents for inspection. For other issues, such as missing components or parts, damage not related to shipping, or concealed damage, file a claim with Chauvet within 7 days of delivery.

Manual Conventions

Convention	Meaning
1–512	A range of values in the text
50/60	A set of mutually exclusive values in the text
<SET>	A button on the product’s control panel
Settings	A product function or a menu option
MENU>Settings	A sequence of menu options
1–10	A range of menu values from which to choose in a menu
Yes/No	A set of two mutually exclusive menu options in a menu
ON	A unique value to be entered or selected in a menu

Symbols

Symbols	Meaning
	Critical installation, configuration, or operation information. Failure to comply with this information may cause the product not to work, damage third-party equipment, or cause harm to the operator.
	Important installation or configuration information. Failure to comply with this information may keep the product from working.
	Useful information.

Safety Notes

Read all the following Safety Notes before working with this product. These notes include important information about the installation, usage, and maintenance of this product.



This product contains no user-serviceable parts. Any reference to servicing in this User Manual will only apply to properly trained Chauvet certified technicians. Do not open the housing or attempt any repairs.



All applicable local codes and regulations apply to proper installation of this product.

Personal Safety

- Avoid direct eye exposure to the light source while the product is on.
- Always disconnect this product from its power source before servicing.
- Always connect this product to a grounded circuit to avoid the risk of electrocution.
- Do not touch this product's housing during operation because it may be very hot.
- This product is for indoor use only! To prevent risk of fire or shock, do not expose this product to rain or moisture. (IP20)

Mounting And Rigging

- CAUTION: When transferring product from extreme temperature environments, (e.g. cold truck to warm humid ballroom) condensation may form on the internal electronics of the product. To avoid causing a failure, allow product to fully acclimate to the surrounding environment before connecting it to power.
- Mount this product in a location with adequate ventilation, at least 20 in (50 cm) from adjacent surfaces.
- Make sure there are no flammable materials close to this product while it is operating.
- When hanging this product, always secure to a fastening device using a safety cable.

Power And Wiring

- Always make sure you are connecting this product to the proper voltage in accordance with the specifications in this manual or on the product's specification label.
- To eliminate unnecessary wear and improve its lifespan, during periods of non-use completely disconnect the product from power via breaker or by unplugging it.
- Never disconnect this product by pulling or tugging on the power cable.

Operation

- Do not operate this product if you see damage on the housing, lenses, or cables. Have the damaged parts replaced by an authorized technician at once.
- Do not cover the ventilation slots when operating to avoid internal overheating.
- The maximum ambient temperature is 113 °F (45 °C). Do not operate this product at a higher temperature.
- In case of a serious operating problem, stop using this product immediately!



If your Chauvet product requires service, contact Chauvet Technical Support.

Expected LED Lifespan

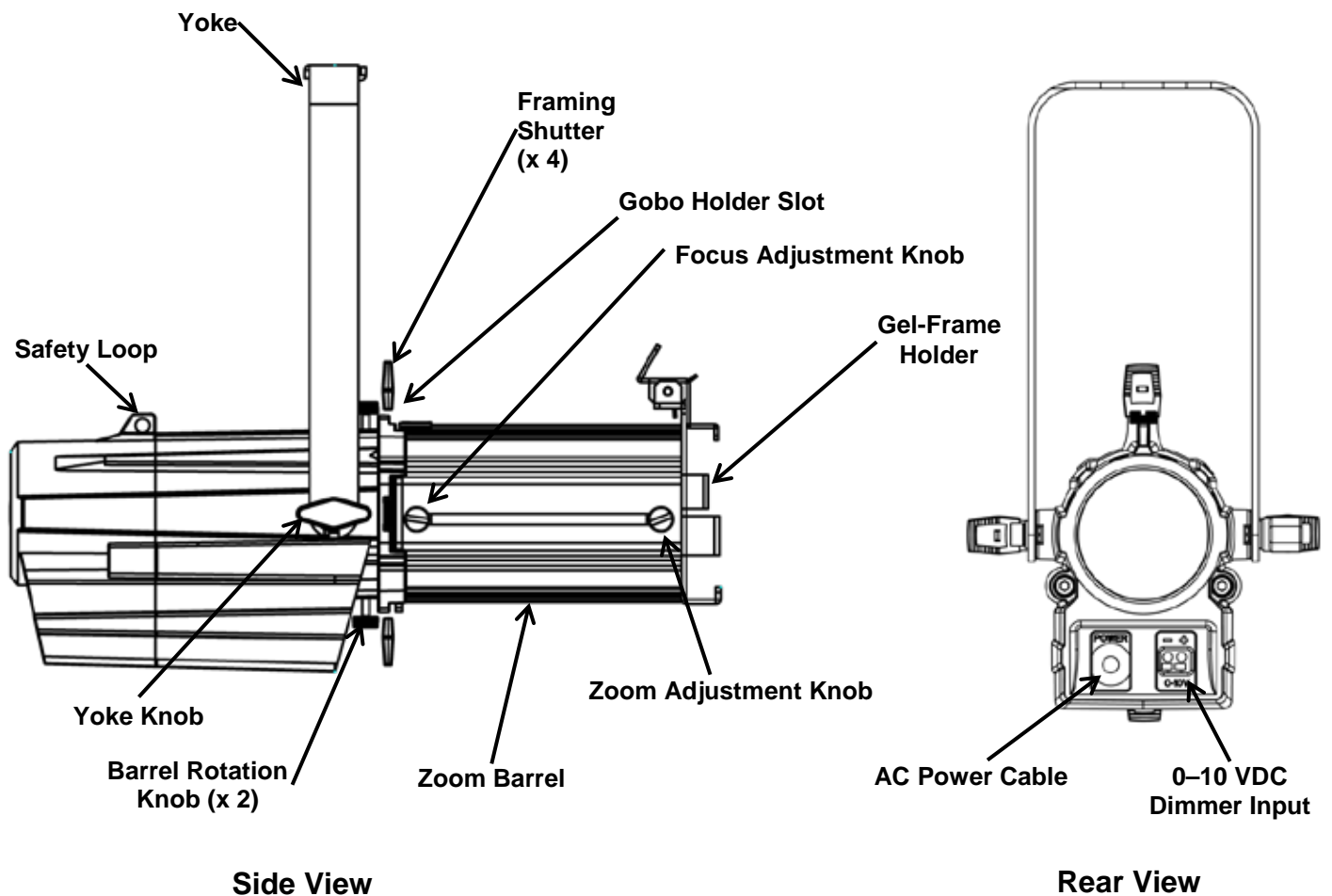
LEDs gradually decline in brightness over time, mostly because of heat. Packaged in clusters, LEDs exhibit higher operating temperatures than in ideal, single-LED conditions. For this reason, using clustered LEDs at their fullest intensity significantly reduces the LEDs' lifespan. Under normal conditions, this lifespan can be 40,000 to 50,000 hours. If extending this lifespan is vital, lower the operating temperature by improving the ventilation around the product and reducing the ambient temperature to an optimal operating range. In addition, limiting the overall projection intensity may extend the LEDs' lifespan.

2. INTRODUCTION

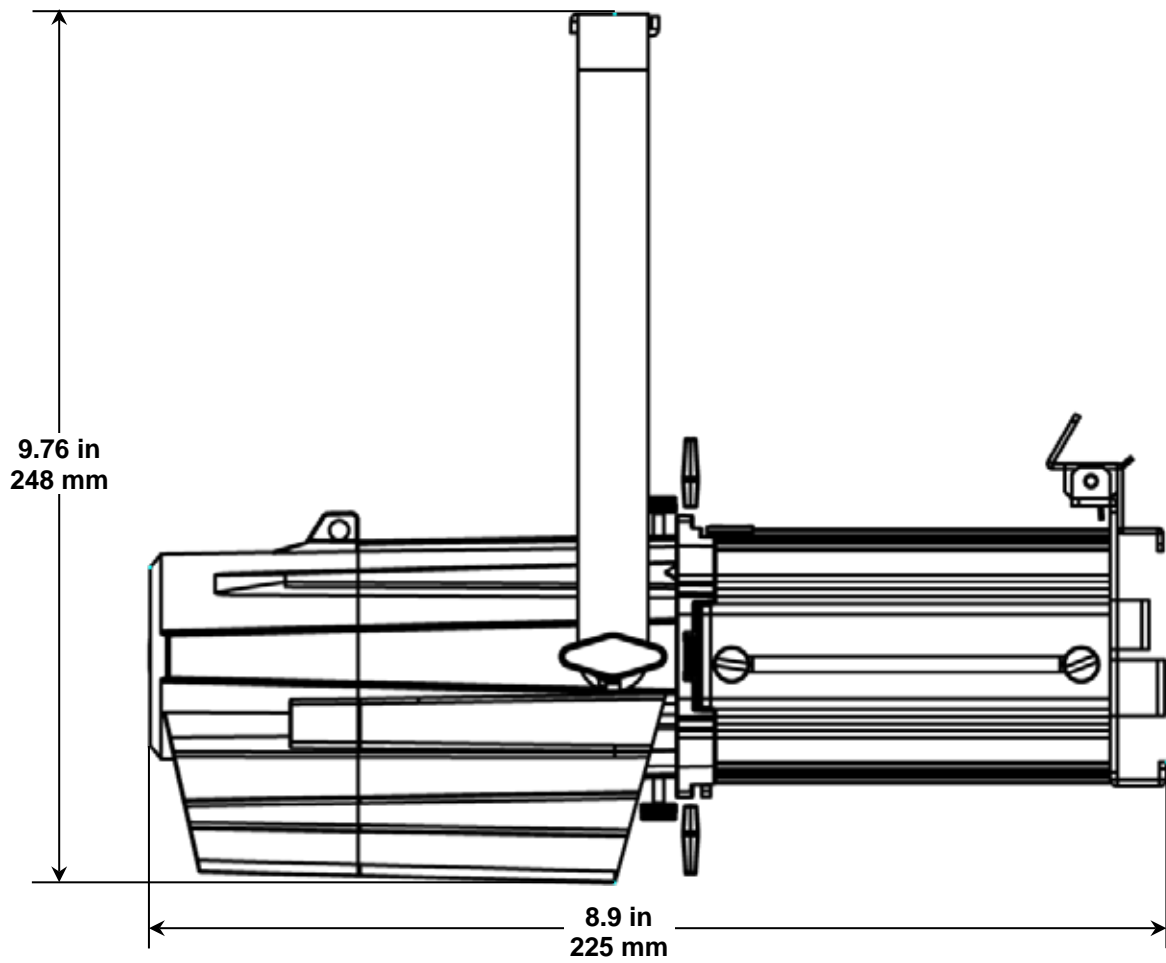
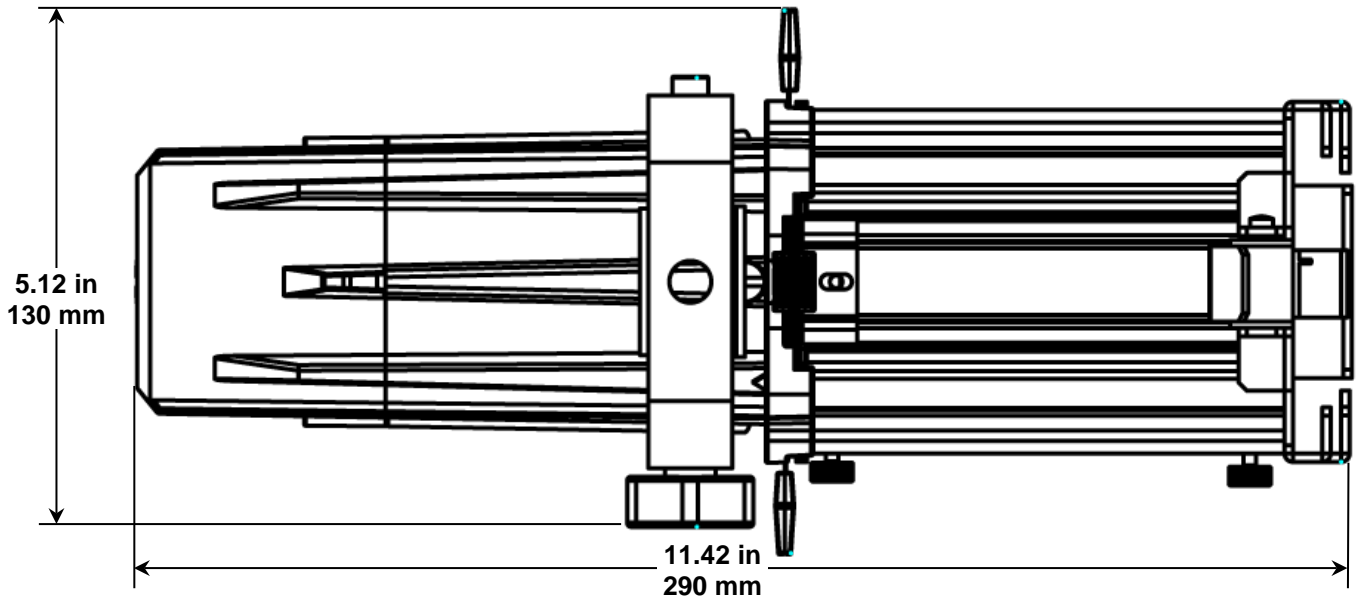
Description The OVATION Min-E-10WW is a compact warm white LED ellipsoidal product. The OVATION Min-E-10WW features standard beam shaping shutters, a gobo/effect slot, lens barrels that are interchangeable, and the capability to run on standard theater dimmers as well as 0–10 VDC dimmers.

- Features**
- Compact LED ellipsoidal shines a hard-edged beam perfect for gobo projection
 - Fade the LED by connecting to a dimmable circuit
 - Highlight areas by altering the projected beam with framing shutters
 - Easily print your own gobos on transparency film or use standard size E glass or metal gobos
 - Zooming optics provides a beam angle from 19° to 36°

Overview



Dimensions



3. SETUP

AC Power

Each OVATION Min-E-10WW has a fixed power supply that works with an input voltage of either 120 VAC, 60 Hz, or 230 VAC, 50 Hz. To determine the power requirements for each OVATION Min-E-10WW, refer to the label affixed to the product. You can also refer to the [Technical Specifications](#) chart in this manual.

The listed current rating indicates the maximum current draw during normal operation. For more information, you may download Sizing Circuit Breakers from the Chauvet website: <http://www.chauvetlighting.com/download/>.



- **Always connect this product to a protected circuit with an appropriate electrical ground to avoid the risk of electrocution or fire.**
- **To eliminate unnecessary wear and improve its lifespan, during periods of non-use completely disconnect the product from power via breaker or by unplugging it.**

AC Plug

The OVATION Min-E-10WW comes with a power input cord terminated with an Edison plug (US market). If the power cord that came with your product has no plug or you need to change the Edison plug, use the table below to wire the new plug.

Connection	Wire (U.S.)	Wire (Europe)	Screw Color
AC Live	Black	Brown	Yellow or Brass
AC Neutral	White	Blue	Silver
AC Ground	Green/Yellow	Green/Yellow	Green

AC Dimmer

The OVATION Min-E-10WW can be powered by an AC dimmable circuit. Ensure the dimmer is within the power requirements of the product by referring to the affixed label, or the Technical Specifications chart in this manual.

0–10 VDC Dimmer

The OVATION Min-E-10WW has a second power input for a 0–10 V dimmer. The input is a push-button terminal connector, with a button for each wire. Push the button in to insert or remove each wire.

Ensure the positive cable from the 0–10 V dimmer goes to the positive (+) terminal, and the negative cable goes to the negative (-) terminal.

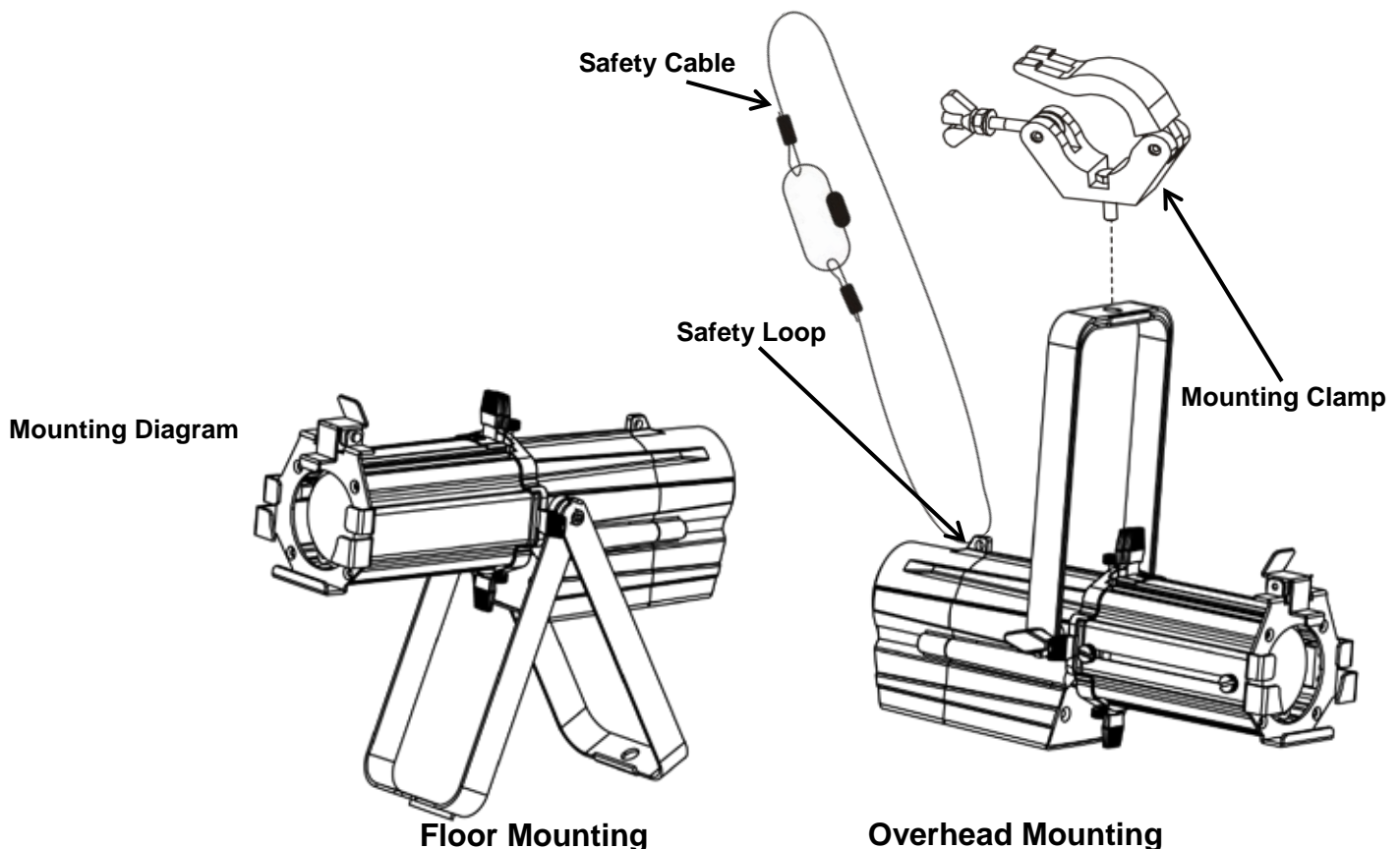
Mounting Before mounting this product, read and follow the [Safety Notes](#). For our CHAUVET® Professional line of mounting clamps, go to <http://trusst.com/products/>.

Orientation Always mount this product in a safe position and make sure there is adequate room for ventilation, configuration, and maintenance.

Rigging Chauvet recommends using the following general guidelines when mounting this product.

- When selecting an installation location, consider easy access to this product for operation, programming adjustments, and routine maintenance.
- Make sure to mount this product away from any flammable material as indicated in the [Safety Notes](#).
- If hanging this product, make sure that the mounting location can support the product's weight. See the [Technical Specifications](#) for the weight-bearing requirements of this product.
- When hanging this product, always secure to a fastening device using a safety cable. For our CHAUVET® Professional line of safety cables, go to <http://trusst.com/products/>.

Procedure The OVATION Min-E-10WW comes with a yoke to which you can either attach a mounting clamp for hanging. You must supply your own mounting clamp. Make sure the clamp is capable of supporting the weight of this product. For our Chauvet line of mounting clamps, go to <http://trusst.com/products/>.



4. OPERATION

Rotating the Barrel Assembly

The OVATION Min-E-10WW allows manual rotation of the barrel assembly, as follows.

1. Locate the barrel rotation knobs at the top and bottom of the reflector housing.
2. Loosen the knobs by turning them counter-clockwise.
 - **Note:** Do not remove the knobs.
3. Rotate the barrel to the desired position, in either direction from the centered position.
4. Tighten the knobs by turning them clockwise, which lock the barrel's position.



When the gobo holder is installed, make sure the gobo holder slot cover is securing the gobo holder into the gobo holder slot before rotating the barrel assembly or mounting the product overhead.

Framing Shutters

Use the framing shutters to tighten and shape the beam of the OVATION Min-E-10WW, or open them completely to allow the full beam to pass.

Gobo Holder Slot

The gobo holder slot has a sliding cover and is located in front of the top framing shutter. The cover can either block the slot completely when the gobo holder is not inserted, or lock the gobo holder in place. Use a phillips head screwdriver to loosen or tighten the cover.

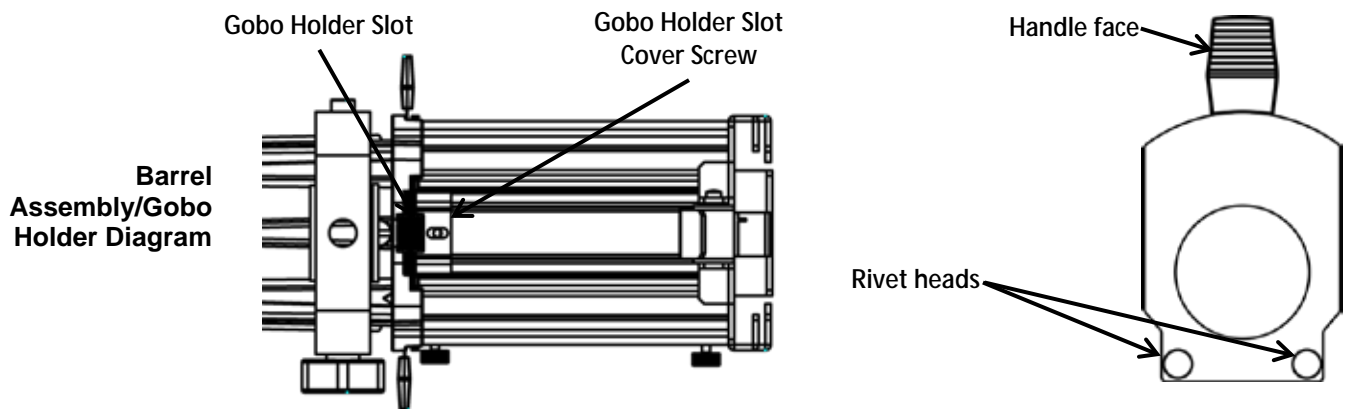
Gobo Holder

The OVATION Min-E-10WW comes with a removable gobo holder. Care must be taken when removing or inserting the gobo holder. Follow the guidelines below when changing gobos:

- Always insert the gobo holder with the handle facing towards the front of the product.
- Pull back the framing shutter assembly directly behind the gobo holder slot for easier insertion and removal.



- **Do not insert the gobo holder backwards.**



Lens Tube

Manual Beam Focus Control

The OVATION Min-E-10WW has a manual focus, which is adjusted as follows.

1. Locate the beam focus knobs at the side of the barrel assembly.
2. Loosen the knobs by turning them counter-clockwise.
3. Use the focus and zoom adjustment knobs to match the markings (19°, 26°, or 36°) on the side of barrel to achieve a desired focus and beam angle.
4. Tighten the knobs by turning them clockwise, which will lock the lens into position.

Gel Frame Holder

The OVATION Min-E-10WW comes with a removable gel frame that fits into the holder on the front of the lens tube. To open the gel frame holder, pull the sides of the clip to the left and right and flip it up.

The frame can only fit into the holder with the opening facing down.

5. TECHNICAL INFORMATION

Product Maintenance

To maintain optimum performance and minimize wear, you should clean this product frequently. Usage and environment are contributing factors in determining the cleaning frequency. As a rule, clean this product at least twice a month. Dust build-up reduces light output performance and can cause overheating. This can lead to reduced light source life and increased mechanical wear.

To clean your product:

1. Unplug the product from power.
2. Wait until the product is at room temperature.
3. Use a vacuum (or dry compressed air) and a soft brush to remove dust collected on the external vents.
4. Clean all external surfaces with a mild solution of non-ammonia glass cleaner or isopropyl alcohol.
5. Apply the solution directly to a soft, lint-free cotton cloth or a lens cleaning tissue.
6. Wipe any dirt or grime to the outside edges of the lens surface.
7. Gently polish the lens surfaces until they are free of haze and lint.



Always dry the external surfaces thoroughly and carefully after cleaning them.

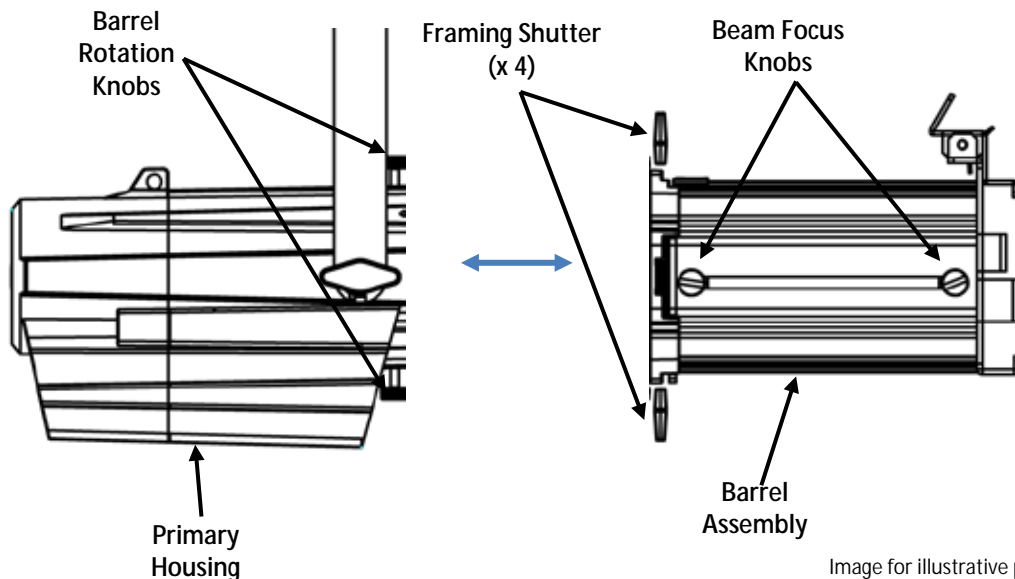


Image for illustrative purposes only

Cleaning the Reflector Housing Lens

The lens inside the primary housing may need periodic cleaning. To gain access to this lens, do the following.

1. Separate the reflector housing from the barrel assembly by unscrewing the barrel rotation knobs.
2. Use a Phillips screwdriver to remove the lens from its fixed cover, if necessary.
3. Clean the lens as described in [Product Maintenance](#).



Always close the framing shutters when transporting or storing the product.

6. TECHNICAL SPECIFICATIONS

Dimensions and Weight (product only)	Length	Width	Height	Weight
	13.4 in (225 mm)	5.12 in (108 mm)	5.24 in (232 mm)	3.0 lb (1.4 kg)
Note: Dimensions in inches rounded to the nearest decimal digit.				
Power	Power Supply Type	Range		Voltage Selection
	Single Voltage	120 or 230 VAC		Fixed
	Parameter	120 VAC, 60 Hz		230 VAC, 50 Hz
	Consumption	12 W		12 W
	Current	86 mA		53 mA
	Power Inputs	U.S./Canada		Worldwide
	AC power input connector	Hard-wired		Hard-wired
	Power cord plug	Edison (U.S.)		Local plug
DC input power connector	Push-Button Terminal		Push-Button Terminal	
Light Source	Type	Power		Lifespan
	LED	13 W		50,000 hours
	Color	Quantity		Current
	Warm White	1		1 A
Gobo Dimensions	Gobo Holder Outside Diameter	Glass Image Diameter	Steel Image Diameter	Max. Thickness
	37.5 mm	20 mm	25 mm	1 mm
Photometrics	Parameter	19° Optics		36° Optics
	Illuminance @ 5 m	247 lux		64 lux
	Beam angle	16°		25°
	Field angle	18°		34°
Thermal	Max. External Temperature	Cooling System		
	113 °F (45 °C)	Convection		
Ordering	Product Name	Item Code		UPC Number
	OVATION Min-E-10WW (120 V)	01121162		781462215101
	OVATION Min-E-10WW (230 V)	01121163		781462215118

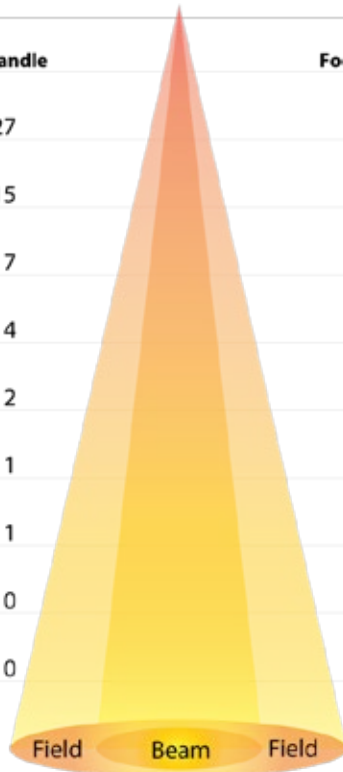


UL 1573
CSA C22.2 No. 166
E113093

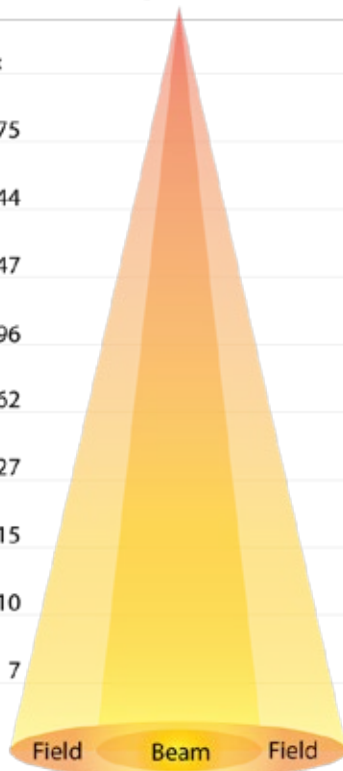


Photometrics Chart

Distance	Narrow		Zoomable Light Source 19°~36°		Wide	
	Beam Diameter	Field Diameter	Footcandle	Footcandle	Beam Diameter	Field Diameter
15 ft	4.22 ft	4.75 ft	27	7	6.65 ft	9.17 ft
20 ft	5.62 ft	6.34 ft	15	4	8.87 ft	21.23 ft
30 ft	8.43 ft	9.50 ft	7	2	13.30 ft	18.34 ft
40 ft	11.24 ft	12.67 ft	4	1	17.74 ft	24.46 ft
50 ft	14.05 ft	15.84 ft	2	1	22.17 ft	30.57 ft
75 ft	21.08 ft	23.76 ft	1	0	33.25 ft	45.86 ft
100 ft	28.11 ft	31.68 ft	1	0	44.34 ft	61.15 ft
125 ft	35.14 ft	39.60 ft	0	0	55.42 ft	76.43 ft
150 ft	42.16 ft	47.52 ft	0	0	66.51 ft	91.72 ft



Distance	Narrow		Zoomable Light Source 19°~36°		Wide	
	Beam Diameter	Field Diameter	Lux	Lux	Beam Diameter	Field Diameter
1 m	0.28 m	0.32 m	6,175	1,600	0.44 m	0.61 m
2 m	0.56 m	0.63 m	1,544	400	0.89 m	1.22 m
5 m	1.41 m	1.58 m	247	64	2.22 m	3.06 m
8 m	2.25 m	2.53 m	96	25	3.55 m	4.89 m
10 m	2.81 m	3.17 m	62	16	4.43 m	6.11 m
15 m	4.22 m	4.75 m	27	7	6.65 m	9.17 m
20 m	5.62 m	6.34 m	15	4	8.87 m	12.23 m
25 m	7.03 m	7.92 m	10	3	11.08 m	15.29 m
30 m	8.43 m	9.50 m	7	2	13.30 m	18.34 m



Returns Send the product prepaid, in the original box, and with the original packing and accessories. Chauvet will not issue call tags. Call Chauvet and request a Return Merchandise Authorization (RMA) number before shipping the product. Be prepared to provide the model number, serial number, and a brief description of the cause(s) for the return. Clearly label the package with an RMA number. Chauvet will refuse any product returned without an RMA number.



DO NOT write the RMA number directly on the box. Instead, write it on a properly affixed label.

Once you have received the RMA number, include the following information on a piece of paper inside the box:

- Your name
- Your address
- Your phone number
- The RMA number
- A brief description of the problem(s)

Pack the product properly. Any shipping damage resulting from inadequate packaging will be the customer's responsibility. FedEx packing or double-boxing is recommended.



Chauvet reserves the right to use its own discretion to repair or replace returned product(s).

CONTACT Us

USA WORLD HEADQUARTERS

General Information – Chauvet

Address: 5200 NW 108th Avenue
Sunrise, FL 33351
Voice: (954) 577-4455
Fax: (954) 929-5560
Toll free: (800) 762-1084

Technical Support

Voice: (844) 393-7575
Fax: (954) 756-8015
Email: chauvetcs@chauvetlighting.com

World Wide Web www.chauvetlighting.com

EUROPE

General Information - Chauvet Europe BVBA

Address: Stokstraat 18
9770 Kruishoutem
Belgium
Voice: +32 9 388 93 97

Technical Support

Email: Eutech@chauvetlighting.eu

World Wide Web www.chauvetlighting.eu

General Information - Chauvet Europe Ltd.

Address: Unit 1C
Brookhill Road Industrial Estate
Pinxton, Nottingham, UK
NG16 6NT
Voice: +44 (0)1773 511115
Fax: +44 (0)1773 511110

Technical Support

Email: uktech@chauvetlighting.com

World Wide Web www.chauvetlighting.co.uk

MEXICO

General Information - Chauvet Mexico

Address: Av. de las Partidas 34, 3-B
(Entrance by Calle 2)
Zona Industrial Lerma
Lerma, Edo. de México, CP 52000
Voice: +52 (728) 690-2010

Technical Support

Email: servicio@chauvet.com.mx

World Wide Web www.chauvet.com.mx

Visit the applicable website above to verify our contact information and instructions to request support. Outside the U.S., United Kingdom, Ireland, Mexico, or Benelux contact the dealer of record.