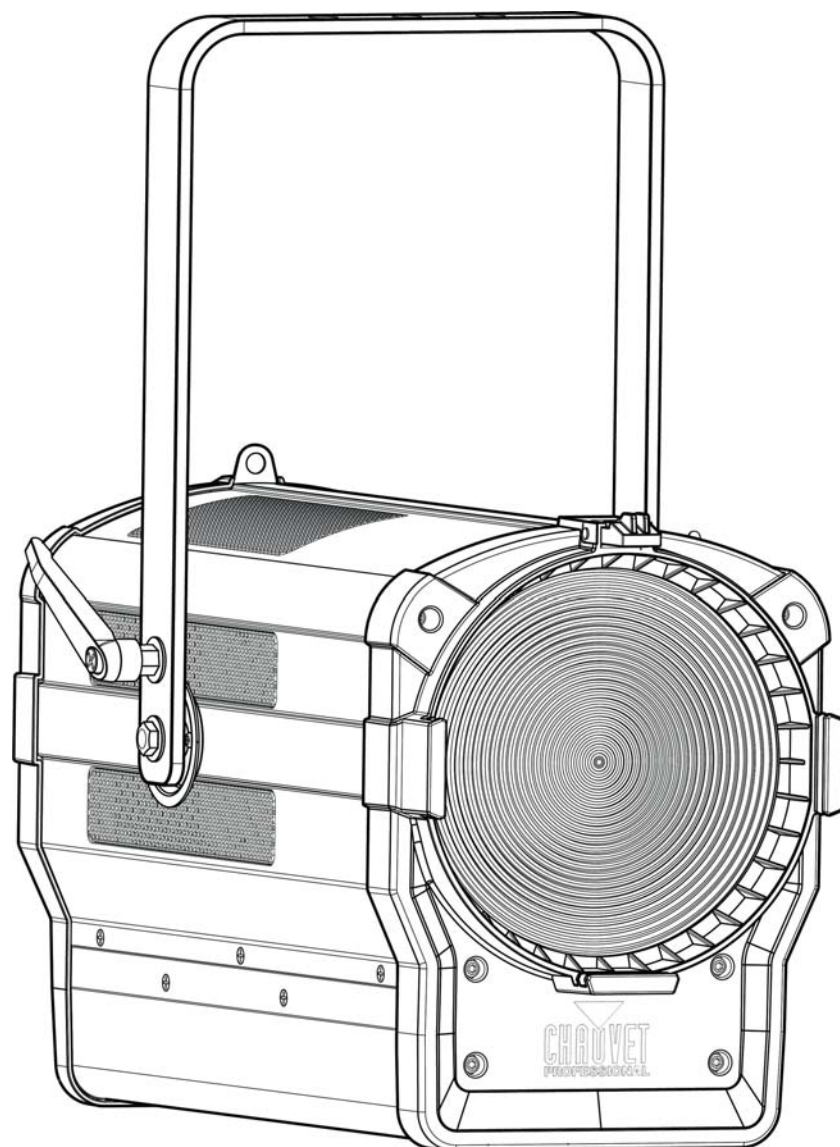


# Ovation

## F-915FC

### Quick Reference Guide

English	EN
Español	ES
Français	FR
Nederlands	NL



  
**CHAUVET**  
PROFESSIONAL

## About This Guide

The Ovation F-915FC Quick Reference Guide (QRG) has basic product information such as connection, mounting, menu options, and DMX values. Download the User Manual from [www.chauvetprofessional.com](http://www.chauvetprofessional.com) for more details.

### Disclaimer

The information and specifications contained in this QRG are subject to change without notice.

### Safety Notes

These Safety Notes include important information about installation, use, and maintenance.

- DO NOT open this product. It contains no user-serviceable parts.
- DO NOT look at the light source when the product is on.
- To eliminate unnecessary wear and improve its lifespan, during periods of non-use completely disconnect the product from power via breaker or by unplugging it.
- CAUTION: When transferring product from extreme temperature environments, (e.g. cold truck to warm humid ballroom) condensation may form on the internal electronics of the product. To avoid causing a failure, allow product to fully acclimate to the surrounding environment before connecting it to power.
- CAUTION: This product's housing may be hot when lights are operating.
- Mount this product in a location with adequate ventilation, at least 20 in (50 cm) from adjacent surfaces.
- DO NOT leave any flammable material within 50 cm of this product while operating or connected to power.
- USE a safety cable when mounting this product overhead.
- DO NOT operate this product outdoors or in any location where dust, excessive heat, water, or humidity may affect it. (IP20)
- DO NOT operate this product if the housing, lenses, or cables appear damaged.
- DO NOT connect this product to a dimmer or rheostat.
- ONLY connect this product to a grounded and protected circuit.
- ONLY use the hanging/mounting bracket or the handles to carry this product.
- In the event of a serious operating problem, stop using immediately.
- The maximum ambient temperature is 113 °F (45 °C). Do not operate this product at higher temperatures.

### Contact

Outside the U.S., United Kingdom, Ireland, Mexico, or Benelux contact your distributor to request support or return a product. Visit [www.chauvetprofessional.com](http://www.chauvetprofessional.com) for contact information.

### What is Included

- Ovation F-915FC
- Neutrik® powerCON® power cord
- Gel Frame (7.5 in/191 mm accessories)
- Warranty Card
- Quick Reference Guide

### AC Power

This product has an auto-ranging power supply that can work with an input voltage range of 100–240 VAC, 50/60 Hz.

### Power Linking

You can link up to 6 Ovation F-915FC products at 120 V, 10 products at 208 V, or 12 products at 230 V. Never exceed this number. Power linking cords can be purchased separately.

### AC Plug

Connection	Wire (U.S.)	Wire (Europe)	Screw Color
AC Live	Black	Brown	Yellow/Brass
AC Neutral	White	Blue	Silver
AC Ground	Green/Yellow	Green/Yellow	Green



**To eliminate wear and improve its lifespan, during periods of non-use completely disconnect the product from power via breaker or by unplugging it.**

### Replacing the Fuse

1. Disconnect this product from power.
2. Using a Phillips #2 head screwdriver, unscrew the fuse holder cap from the housing.
3. Remove blown fuse and replace with a good fuse of the same type and rating.
4. Screw the fuse holder cap back in place and reconnect power.

## DMX Linking

The Ovation F-915FC will work with a DMX controller using a 3- or 5-pin DMX data connection. A DMX Primer is available from [www.chauvetprofessional.com](http://www.chauvetprofessional.com).

### DMX Connection

The Ovation F-915FC uses a 3- or 5-pin DMX data connection for its 8 DMX personalities: **3 Ch**, **5 Ch**, **7 Ch**, **11 Ch**, **13 Ch**, **14 Ch**, **17 Ch**, and **HSV**. See the User Manual for information about connecting and configuring the product for DMX operation.

### Master/Slave Connection

The Ovation F-915FC uses the DMX data connection for its Master/Slave mode. See the User Manual for information about connect and configure the product for master/slave operation.

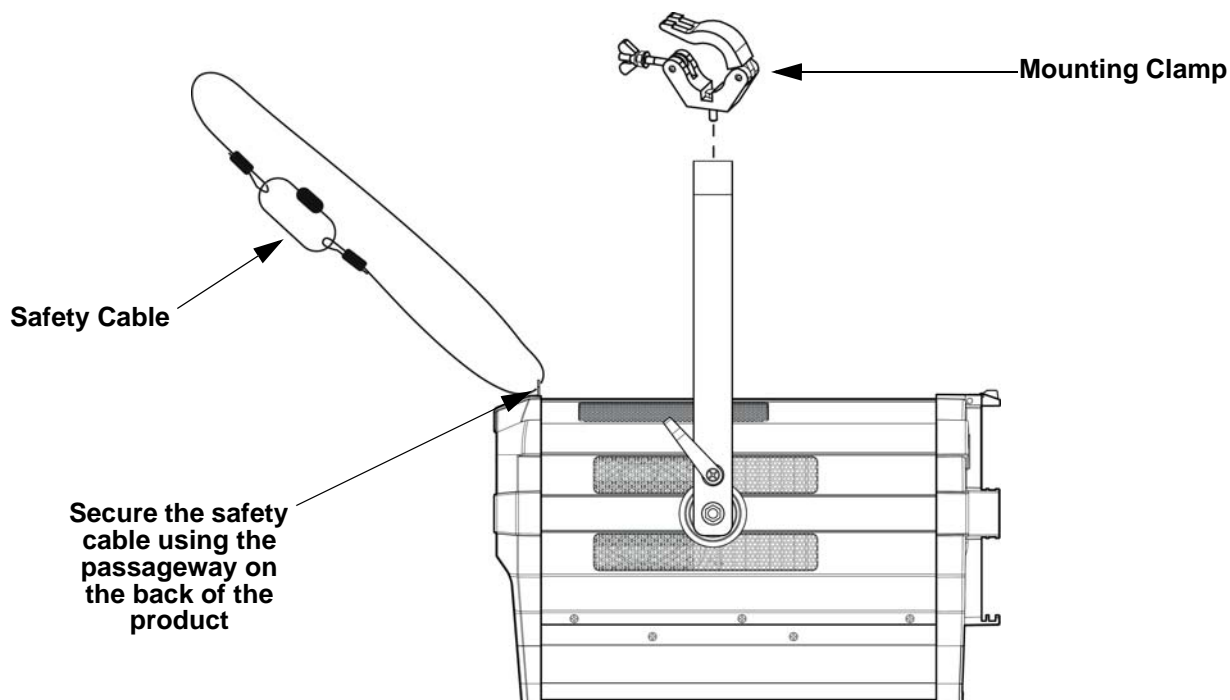
### RDM (Remote Device Management)

Remote Device Management, or RDM, is a standard for allowing DMX-enabled devices to communicate bi-directionally along existing DMX cabling. The Ovation F-915FC supports RDM protocol that allows feedback to monitor temperature and changes to **DMX Address**, **DMX Channel**, **Dimmer Mode**, and **LED Frequency** menu options. Download the User Manual from [www.chauvetprofessional.com](http://www.chauvetprofessional.com) for more details.

## Mounting

Before mounting this product, read the [Safety Notes](#). Use at least one mounting point per product. Make sure the mounting clamps are capable of supporting the weight of the product. For our CHAUVET Professional line of mounting clamps, go to <http://trusst.com/products>.

### Mounting Diagram



## Control Panel Description

Button/Knob	Function
<MENU>	Exits from the current menu or function
<ENTER>	Enables the currently displayed menu or sets the currently selected value into the selected function
<UP>	Navigates upwards through the menu list and increases the numeric value when in a function
<DOWN>	Navigates downwards through the menu list and decreases the numeric value when in a function
<KNOB1>	Push then turn to select the color temperature
<KNOB2>	Push then turn to increase or decrease the dimmer
<KNOB3>	Push then turn to increase or decrease the zoom

**Virtual Color Wheel (VCW)**

The Ovation F-915FC includes a feature called the Virtual Color Wheel (VCW). This feature is available as a stand-alone control mode for manual use and also as a control channel in select DMX personalities. Over 30 pre-mixed colors, custom blended by our engineers, are available to call up for easier programming.

The DMX values used to mix these colors are provided below. You may adjust the overall intensity of the Ovation fixture in order to more closely replicate colors you are familiar with. A chart is available on our website [www.chauvetprofessional.com](http://www.chauvetprofessional.com) to compare our pre-mixed colors with popular gel colors. This chart is for comparison purposes only and is not a representation that our pre-mixed colors match any of the gel colors listed.

**Virtual Color Wheel Chart**

DMX Channel Value	Display Readout	Red Value	Green Value	Blue Value	Amber Value	Lime Value
000 ⇔ 005	--	000	000	000	000	000
006 ⇔ 013	<b>C3050 - Md Yellow</b>	150	125	002	255	043
014 ⇔ 021	<b>C3040 - Lt Yellow</b>	235	108	005	255	076
022 ⇔ 028	<b>C3240 - Amb Yellow</b>	171	036	000	120	255
029 ⇔ 035	<b>C2340 - VLt Amber</b>	255	015	017	255	170
036 ⇔ 043	<b>C2040 - Lt Amber</b>	255	000	010	255	143
044 ⇔ 051	<b>C2050 - Md Amber</b>	255	000	003	255	075
052 ⇔ 059	<b>C2060 - Dk Amber</b>	188	000	002	255	044
060 ⇔ 067	<b>C1050 - Lt Red</b>	255	000	002	021	002
068 ⇔ 075	<b>C1080 - Md Red</b>	255	000	002	000	000
076 ⇔ 083	<b>C1020 - NC Pink</b>	255	130	025	255	027
084 ⇔ 091	<b>C1030 - Md Pink</b>	255	013	041	235	182
092 ⇔ 099	<b>C1630 - Dk Pink</b>	255	015	027	030	255
100 ⇔ 107	<b>C1250 - Md Red Amber</b>	255	000	004	115	009
108 ⇔ 115	<b>C1060 - Dk Red Amber</b>	255	000	004	011	008
116 ⇔ 121	<b>C1650 - Magenta</b>	255	000	022	081	039
122 ⇔ 130	<b>C6170 - Dk Magenta</b>	160	000	025	000	004
131 ⇔ 138	<b>C6020 - Lt Lavender</b>	255	162	043	255	140
139 ⇔ 146	<b>C5030 - Lt Blue</b>	012	255	070	076	115
147 ⇔ 154	<b>C5020 - VLt Blue</b>	030	187	085	215	255
155 ⇔ 162	<b>C5430 - Lt Blue 2</b>	004	255	062	093	049
163 ⇔ 170	<b>C5070 - Blue</b>	005	255	190	003	012
171 ⇔ 178	<b>C5050 - Md Blue</b>	008	250	145	005	088
179 ⇔ 186	<b>C5060 - Dk Blue</b>	005	209	255	015	074
187 ⇔ 194	<b>C5690 - Indigo</b>	005	000	200	013	003
195 ⇔ 202	<b>C5080 - VDk Blue</b>	007	112	255	005	007
203 ⇔ 210	<b>C5081 - VDk Blue2</b>	004	108	255	003	004
211 ⇔ 218	<b>C4370 - Yel Green</b>	004	255	000	005	003
219 ⇔ 226	<b>C4070 - Green</b>	027	255	006	000	020
227 ⇔ 234	<b>C4550 - Turquoise</b>	007	255	021	070	076
235 ⇔ 242	<b>C4560 - Aqua</b>	007	255	031	085	115
243 ⇔ 250	<b>C4570 - Blue Green</b>	002	255	017	002	020
251 ⇔ 255	--	000	000	000	000	000



**Note:** The colors above are simulated renditions of the color output produced as compared to other similar incandescent products. Chauvet makes no guarantee of the color output accuracy.

Color Temperature Chart

DMX Channel Value	Display Readout	Red Value	Green Value	Blue Value	Amber Value	Lime Value
000 ⇔ 005	--	000	000	000	000	000
006 ⇔ 025	<b>2800K</b>	255	51	18	255	255
026 ⇔ 050	<b>3200K</b>	179	82	25	185	220
051 ⇔ 075	<b>3500K</b>	255	130	33	255	240
076 ⇔ 100	<b>4000K</b>	255	219	45	198	255
101 ⇔ 125	<b>4500K</b>	140	255	55	255	255
126 ⇔ 150	<b>5000K</b>	107	255	63	200	255
151 ⇔ 175	<b>5600K</b>	82	255	72	190	230
176 ⇔ 200	<b>6000K</b>	74	255	78	167	255
201 ⇔ 225	<b>6500K</b>	65	255	84	140	255
226 ⇔ 255	--	000	000	000	000	000



Note: The color temperatures above are simulated renditions of the color output produced as compared to a tungsten lamp at the specified color temperature. Chauvet makes no guarantee of the color output accuracy.

Menu Map

Main Level	Programming Levels		Description
DMX Address	001–510*		Selects DMX address (highest channel restricted to personality chosen)
DMX Channel	3 Ch		3-channel: dimmer, VCW, color temperature
	5 Ch		5-channel: RGBAL
	7 Ch		7-channel: dimmer, RGBAL, strobe
	11 Ch		11-channel: 16-bit dimmer, RGBAL, strobe, VCW, color temperature, zoom
	13 Ch		13-channel: 16-bit dimmer, 16-bit RGBAL, strobe
	14 Ch		14-channel: dimmer, RGBAL, strobe, VCW, color temperature, auto show, auto speed, dimmer speed mode, zoom, motor reset
	17 Ch		17-channel: 16-bit dimmer, 16-bit RGBAL, strobe, VCW, color temperature, zoom, motor reset
	HSV		3-channel: hue, saturation, value
Virtual Color Wheel	Virtual Color Wheel	Dimmer <000–255>	Virtual color wheel simulates the output of each gel color. Refer to the <a href="#">Virtual Color Wheel Chart</a> section for specific values.
		C3050-Md Yellow	
		C3040-Lt Yellow	
		C3240-Amb Yellow	
		C2340-VLt Amber	
		C2040-Lt Amber	
		C2050-Md Amber	
		C2060-Dk Amber	
		C1050-Lt Red	
		C1080-Md Red	
		C1020-NC Pink	
		C1030-Md Pink	
		C1630-Dk Pink	
		C1250-Md Red Amber	
		C1060-Dk Red Amber	
		C1650-Magenta	
		C6170-Dk Magenta	
		C6020-Lt Lavender	
		C5030-Lt Blue	
		C5020-VLt Blue	
		C5430-Lt Blue2	
		C5070-Blue	
		C5050-Md Blue	
		C5060-Dk Blue	

# QUICK REFERENCE GUIDE



EN

Main Level	Programming Levels		Description	
Virtual Color Wheel (cont.)	Virtual Color Wheel (cont.)	C5690- Indigo	Dimmer <000–255>	Virtual color wheel simulates the output of each gel color. Refer to the <a href="#">Virtual Color Wheel Chart</a> section for specific values.
		C5080-VDk Blue		
		C5081-VDk Blue2		
		C4370-Yel Green		
		C4070-Green		
		C4550-Turquoise		
		C4560-Aqua		
	C4570-Blue Green			
	Color Temperature	2800K	Dimmer <000–255>	Preset white color temperatures. Emulates a tungsten lamp at the specified color temperature. Refer to the <a href="#">Color Temperature Chart</a> section for specific values.
		3200K		
		3500K		
		4000K		
		4500K		
		5000K		
		5600K		
6000K				
6500K				
Manual Color Mixer	Red	<000–255>	Combine red, green, blue, amber, and lime to make a custom color (0–100%)	
	Green	<000–255>		
	Blue	<000–255>		
	Amber	<000–255>		
	Lime	<000–255>		
Auto Show	Auto 1–5	<001–100>	Selects automatic programs and program speed	
Zoom		0–255	Controls zoom	
Master/ Slave	Master		DMX mode (Master)	
	Slave		Slave mode	
Dimmer Mode	Off		Linear dimmer	
	Dimmer 1–3		Dimming curves <b>Dimmer 1</b> (fast) to <b>Dimmer 3</b> (slow)	
White Balance	Off		Uses factory default white setting	
	Manual	Red	<125–255>	Sets red LED maximum value
		Green	<125–255>	Sets green LED maximum value
		Blue	<125–255>	Sets blue LED maximum value
		Amber	<125–255>	Sets amber LED maximum value
Lime	<125–255>	Sets lime LED maximum value		
LED Frequency	600Hz		Sets the PWM frequency	
	1200Hz			
	2000Hz			
	4000Hz			
	6000Hz			
	25KHz			
Fan Mode	Auto		Sets the fan to auto mode	
	On		Sets the fan to always on	
Back Light	On		Display backlight always on	
	10S		Turns off display backlight after 10 seconds of inactivity	
	20S		Turns off display backlight after 20 seconds of inactivity	
	30S		Turns off display backlight after 30 seconds of inactivity	
Information	Fixture Hours	<_ _ _ _H>	Shows total hours the product has been powered on	
	Version	<V_._>	Shows current firmware version	
	UID	<_ _ _ _ _ _ _ _>	Shows product UID	
Reset Factory	No		Resets the product to factory default settings	
	Yes			

DMX Values

17 Ch

Channel	Function	Value	Percent/Setting
1	Dimmer	000 ⇄ 255	0–100%
2	Dimmer Fine	000 ⇄ 255	0–100%
3	Red	000 ⇄ 255	0–100%
4	Red Fine	000 ⇄ 255	0–100%
5	Green	000 ⇄ 255	0–100%
6	Green Fine	000 ⇄ 255	0–100%
7	Blue	000 ⇄ 255	0–100%
8	Blue Fine	000 ⇄ 255	0–100%
9	Amber	000 ⇄ 255	0–100%
10	Amber Fine	000 ⇄ 255	0–100%
11	Lime	000 ⇄ 255	0–100%
12	Lime Fine	000 ⇄ 255	0–100%
13	Strobe	000 ⇄ 010	No function
		011 ⇄ 255	Strobe, slow to fast
14	Virtual Color Wheel	000 ⇄ 255	See <a href="#">Virtual Color Wheel Chart</a>
15	Color Temperature	000 ⇄ 255	See <a href="#">Color Temperature Chart</a>
16	Zoom	000 ⇄ 255	Narrow to wide
17	Motor Reset	000 ⇄ 200	No function
		201 ⇄ 220	Motor reset
		221 ⇄ 255	No function

14 Ch

Channel	Function	Value	Percent/Setting
1	Dimmer	000 ⇄ 255	0–100%
2	Red	000 ⇄ 255	0–100%
3	Green	000 ⇄ 255	0–100%
4	Blue	000 ⇄ 255	0–100%
5	Amber	000 ⇄ 255	0–100%
6	Lime	000 ⇄ 255	0–100%
7	Strobe	000 ⇄ 010	No function
		011 ⇄ 255	Strobe, slow to fast
8	Virtual Color Wheel	000 ⇄ 255	See <a href="#">Virtual Color Wheel Chart</a>
9	Color Temperature	000 ⇄ 255	See <a href="#">Color Temperature Chart</a>
10	Auto Programs	000 ⇄ 010	No function
		011 ⇄ 060	Auto program 1
		061 ⇄ 110	Auto program 2
		111 ⇄ 160	Auto program 3
		161 ⇄ 210	Auto program 4
211 ⇄ 255	Auto program 5		
11	Auto Speed	000 ⇄ 255	Auto speed, slow to fast
12	Dimmer Speed Mode	000 ⇄ 051	No function
		052 ⇄ 101	Dimmer speed mode off
		102 ⇄ 152	Dimmer speed mode 1
		153 ⇄ 203	Dimmer speed mode 2
204 ⇄ 255	Dimmer speed mode 3	Hold for 3 seconds: Overrides and changes menu selection	
12	Zoom	000 ⇄ 255	Narrow to wide
13	Motor Reset	000 ⇄ 200	No function
		201 ⇄ 220	Motor reset
		221 ⇄ 255	No function

## QUICK REFERENCE GUIDE



EN

### 13 Ch

Channel	Function	Value	Percent/Setting
1	Dimmer	000 ⇔ 255	0–100%
2	Dimmer Fine	000 ⇔ 255	0–100%
3	Red	000 ⇔ 255	0–100%
4	Red Fine	000 ⇔ 255	0–100%
5	Green	000 ⇔ 255	0–100%
6	Green Fine	000 ⇔ 255	0–100%
7	Blue	000 ⇔ 255	0–100%
8	Blue Fine	000 ⇔ 255	0–100%
9	Amber	000 ⇔ 255	0–100%
10	Amber Fine	000 ⇔ 255	0–100%
11	Lime	000 ⇔ 255	0–100%
12	Lime Fine	000 ⇔ 255	0–100%
13	Strobe	000 ⇔ 010	No function
		011 ⇔ 255	Strobe, slow to fast

### 11 Ch

Channel	Function	Value	Percent/Setting
1	Dimmer	000 ⇔ 255	0–100%
2	Dimmer Fine	000 ⇔ 255	0–100%
3	Red	000 ⇔ 255	0–100%
4	Green	000 ⇔ 255	0–100%
5	Blue	000 ⇔ 255	0–100%
6	Amber	000 ⇔ 255	0–100%
7	Lime	000 ⇔ 255	0–100%
8	Strobe	000 ⇔ 010	No function
		011 ⇔ 255	Strobe, slow to fast
9	Virtual Color Wheel	000 ⇔ 255	See <a href="#">Virtual Color Wheel Chart</a>
10	Color Temperature	000 ⇔ 255	See <a href="#">Color Temperature Chart</a>
11	Zoom	000 ⇔ 255	Narrow to wide

### 7 Ch

Channel	Function	Value	Percent/Setting
1	Dimmer	000 ⇔ 255	0–100%
2	Red	000 ⇔ 255	0–100%
3	Green	000 ⇔ 255	0–100%
4	Blue	000 ⇔ 255	0–100%
5	Amber	000 ⇔ 255	0–100%
6	Lime	000 ⇔ 255	0–100%
7	Strobe	000 ⇔ 010	No function
		011 ⇔ 255	Strobe, slow to fast



5 Ch

Channel	Function	Value	Percent/Setting
1	Red	000 ⇄ 255	0–100%
2	Green	000 ⇄ 255	0–100%
3	Blue	000 ⇄ 255	0–100%
4	Amber	000 ⇄ 255	0–100%
5	Lime	000 ⇄ 255	0–100%

3 Ch

Channel	Function	Value	Percent/Setting
1	Dimmer	000 ⇄ 255	0–100%
2	Virtual Color Wheel	000 ⇄ 255	See <a href="#">Virtual Color Wheel Chart</a>
3	Color Temperature	000 ⇄ 255	See <a href="#">Color Temperature Chart</a>

HSV

Channel	Function	Value	Percent/Setting
1	Hue	000 ⇄ 255	0–100%
2	Saturation	000 ⇄ 255	0–100%
3	Value	000 ⇄ 255	0–100%

## Acerca de Esta Guía

La Guía de Referencia Rápida (GRR) del Ovation F-915FC contiene información básica sobre el producto, como montaje, opciones de menú y valores DMX. Descargue el manual de usuario de [www.chauvetprofessional.com](http://www.chauvetprofessional.com) para información más detallada.

## Exención de Responsabilidad

La información y especificaciones contenidas en esta GRR están sujetas a cambio sin previo aviso.

## Notas de Seguridad

Estas notas de seguridad incluyen información importante sobre el montaje, uso y mantenimiento.

- NO abra este producto. No contiene piezas reparables por el usuario.
- NO mire a la fuente de luz cuando el producto esté encendido.
- Para evitar un desgaste innecesario y alargar su vida útil, desconecte complemente el producto de la alimentación, mediante el interruptor o desenchufándolo, durante los periodos en los que no se use.
- Cuidado: cuando transfiera el producto desde ambientes con temperatura extrema (p. ej., del remolque frío de un camión a una sala de baile con calor y humedad), puede formarse condensación en la electrónica interna del producto. Para evitar que se produzca una avería, deje que el producto se aclimate completamente al ambiente antes de conectar la alimentación.
- ¡CUIDADO! La carcasa de este producto está caliente cuando las luces están en funcionamiento.
- Monte este producto en una ubicación con ventilación adecuada, al menos a 20" (50 cm) de superficies adyacentes.
- NO deje ningún material inflamable a menos de 50 cm de este producto mientras esté funcionando o conectado a la alimentación.
- USE un cable de seguridad cuando monte este producto en lo alto.
- NO ponga en funcionamiento este producto en el exterior o en cualquier ubicación en la que el polvo, calor excesivo, agua o humedad puedan afectarlo. (IP20)
- NO ponga en funcionamiento este producto si sospecha que la carcasa, lentes o cables están dañados.
- NO conecte este producto a un atenuador o reostato.
- Conecte este producto SOLO a un circuito con toma de tierra y protegido.
- Use SOLAMENTE los soportes de colgar/montar o las asas para mover este producto.
- En caso de un problema grave de funcionamiento, deje de usarlo inmediatamente.
- La máxima temperatura ambiente es de 113 °F (45 °C). No haga funcionar este producto a temperaturas más altas.

## Contacto

Fuera de EE.UU, Reino Unido, Irlanda, México o Benelux, póngase en contacto con su distribuidor para solicitar asistencia o devolver el producto. Visite [www.chauvetprofessional.com](http://www.chauvetprofessional.com) para información de contacto.

## Qué va Incluido

- Ovation F-915FC
- Cable de Alimentación Neutrik® powerCON®
- Marco de gel (191 mm/7,5 in accesorios)
- Tarjeta de Garantía
- Guía de Referencia Rápida

## Corriente Alterna

Este producto tiene una fuente de alimentación con detección automática que puede funcionar con un rango de tensión de entrada de 100–240 VCA, 50/60 Hz.

## Alimentación en Cadena

Puede enlazar hasta 6 productos Ovation F-915FC a 120 V, 10 productos a 208 V o 12 productos a 230 V. Los cables de alimentación en cadena se pueden adquirir por separado.

## Enchufe CA

Conexión	Cable (EE.UU)	Cable (Europa)	Color del Tornillo
CA Cargado	Negro	Marrón	Amarillo/Bronce
CA Neutro	Blanco	Azul	Plata
CA Tierra	Verde/Amarillo	Verde/Amarillo	Verde



**Para evitar un desgaste innecesario y alargar su vida útil, desconecte complemente el producto de la alimentación, mediante el interruptor o desenchufándolo, durante los periodos en los que no se use.**

## Sustitución del Fusible

1. Desconecte el producto de la toma de corriente.
2. Con un destornillador de estrella N°2 desatornille la tapa del portafusibles.
3. Quite el fusible fundido del portafusibles y sustitúyalo con otro del mismo tipo y categoría.
4. Vuelva a atornillar la tapa del portafusibles en su sitio y conecte de nuevo la alimentación.

## DMX Linking

El Ovation F-915FC funcionará con un controlador DMX usando una conexión serie DMX normal. Hay un Manual DMX disponible en [www.chauvetprofessional.com](http://www.chauvetprofessional.com).

### Conexión DMX

El Ovation F-915FC usa una conexión de datos DMX normal para sus 8 personalidades DMX: **3 Ch, 5 Ch, 7 Ch, 11 Ch, 13 Ch, 14 Ch, 17 Ch** y **HSV**. Vea el Manual de usuario para conectar y configurar para funcionamiento DMX

### Conexión Maestro/Esclavo

El Ovation F-915FC usa la conexión de datos DMX para su modo Maestro/Esclavo Vea el Manual de usuario para conectar y configurar para funcionamiento Maestro/Esclavo.

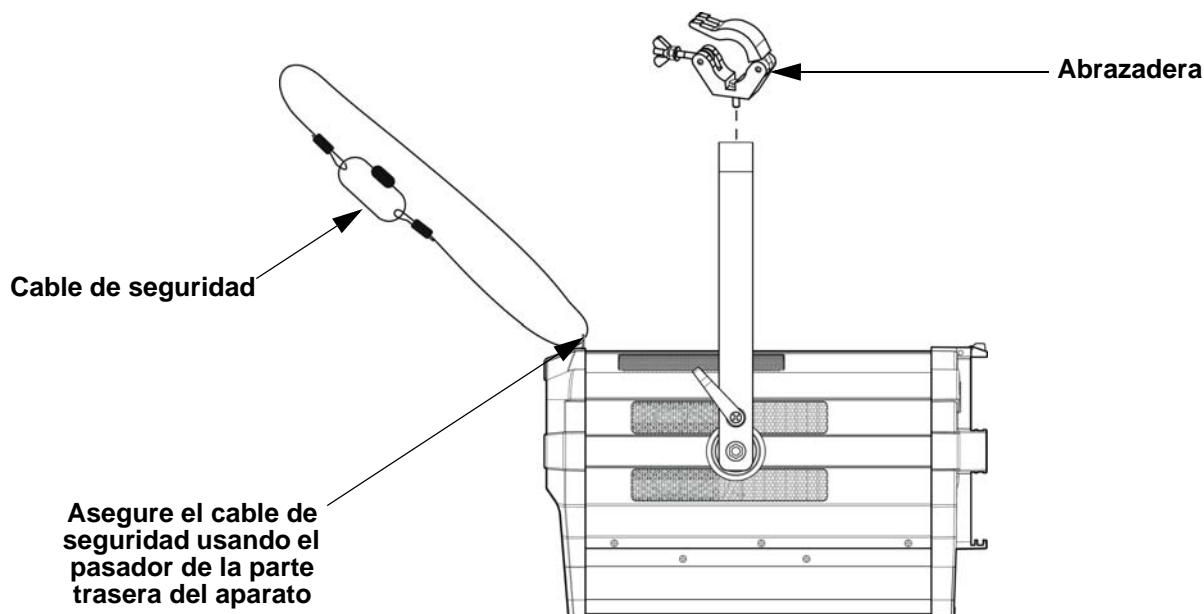
## RDM (gestión remota del dispositivo)

Remote Device Management (gestión remota del dispositivo) o RDM, es un estándar que permite a los dispositivos con capacidad DMX una comunicación bidireccional por un cableado DMX existente. El Ovation F-915FC admite protocolo RDM, que posibilita información para supervisar la temperatura y cambiar las opciones del menú **DMX Address**, **DMX Channel**, **Dimmer Mode** y **LED Frequency**. Descargue el manual de usuario de [www.chauvetprofessional.com](http://www.chauvetprofessional.com) para una información más detallada.

## Montaje

Antes de montar este producto, lea las [Notas de Seguridad](#). Utilice al menos dos puntos de montaje por producto. Asegúrese de que las abrazaderas de montaje son capaces de soportar el peso del producto. Para nuestra línea Chauvet de abrazaderas de montaje, visite <http://trusst.com/products>.

### Diagrama de Montaje



## Descripción del Panel de Control

Botón/Mando	Función
<MENU>	Sale del menú o función actual
<ENTER>	Habilita el menú actualmente en pantalla o configura el valor seleccionado actualmente dentro de la función seleccionada
<UP>	Navega hacia arriba por la lista de menú y aumenta el valor numérico cuando está en una función
<DOWN>	Navega hacia abajo por la lista de menú y disminuye el valor numérico cuando está en una función
<KNOB1>	Empuje y después gire para seleccionar la temperatura de color
<KNOB2>	Empuje y después gire para aumentar o reducir el atenuador
<KNOB3>	Empuje y después gire para aumentar o reducir el zoom

### Rueda de Color Virtual (VCW)

El Ovation F-915FC incluye una función de rueda de color virtual llamada Virtual Color Wheel (VCW). Esta función está disponible como modo de control independiente para uso manual y también como canal de control en algunas personalidades DMX del dispositivo. Más de 30 colores premezclados, elaborados por nuestros ingenieros, están disponibles para facilitar la programación.

Los valores DMX utilizados para mezclar estos colores se indican más abajo. Puede ajustar la intensidad general del dispositivo Ovation para reproducir más fielmente los colores a los que esté habituado. Hay un gráfico a su disposición en nuestro sitio web [www.chauvetprofessional.com](http://www.chauvetprofessional.com) para comparar nuestros colores premezclados con los colores de gel más populares. Este gráfico sirve solamente para comparar y no implica que nuestros colores premezclados coincidan exactamente con los colores de gel listados

#### Tabla de Colores VCW

Valor del Canal DMX	Lectura en Pantalla	Valor Rojo	Valor Verde	Valor Azul	Valor Ámbar	Valor Limón
000 ⇔ 005	--	000	000	000	000	000
006 ⇔ 013	<b>C3050 - Md Yellow</b>	150	125	002	255	043
014 ⇔ 021	<b>C3040 - Lt Yellow</b>	235	108	005	255	076
022 ⇔ 028	<b>C3240 - Amb Yellow</b>	171	036	000	120	255
029 ⇔ 035	<b>C2340 - VLt Amber</b>	255	015	017	255	170
036 ⇔ 043	<b>C2040 - Lt Amber</b>	255	000	010	255	143
044 ⇔ 051	<b>C2050 - Md Amber</b>	255	000	003	255	075
052 ⇔ 059	<b>C2060 - Dk Amber</b>	188	000	002	255	044
060 ⇔ 067	<b>C1050 - Lt Red</b>	255	000	002	021	002
068 ⇔ 075	<b>C1080 - Md Red</b>	255	000	002	000	000
076 ⇔ 083	<b>C1020 - NC Pink</b>	255	130	025	255	027
084 ⇔ 091	<b>C1030 - Md Pink</b>	255	013	041	235	182
092 ⇔ 099	<b>C1630 - Dk Pink</b>	255	015	027	030	255
100 ⇔ 107	<b>C1250 - Md Red Amber</b>	255	000	004	115	009
108 ⇔ 115	<b>C1060 - Dk Red Amber</b>	255	000	004	011	008
116 ⇔ 121	<b>C1650 - Magenta</b>	255	000	022	081	039
122 ⇔ 130	<b>C6170 - Dk Magenta</b>	160	000	025	000	004
131 ⇔ 138	<b>C6020 - Lt Lavender</b>	255	162	043	255	140
139 ⇔ 146	<b>C5030 - Lt Blue</b>	012	255	070	076	115
147 ⇔ 154	<b>C5020 - VLt Blue</b>	030	187	085	215	255
155 ⇔ 162	<b>C5430 - Lt Blue 2</b>	004	255	062	093	049
163 ⇔ 170	<b>C5070 - Blue</b>	005	255	190	003	012
171 ⇔ 178	<b>C5050 - Md Blue</b>	008	250	145	005	088
179 ⇔ 186	<b>C5060 - Dk Blue</b>	005	209	255	015	074
187 ⇔ 194	<b>C5690 - Indigo</b>	005	000	200	013	003
195 ⇔ 202	<b>C5080 - VDk Blue</b>	007	112	255	005	007
203 ⇔ 210	<b>C5081 - VDk Blue2</b>	004	108	255	003	004
211 ⇔ 218	<b>C4370 - Yel Green</b>	004	255	000	005	003
219 ⇔ 226	<b>C4070 - Green</b>	027	255	006	000	020
227 ⇔ 234	<b>C4550 - Turquoise</b>	007	255	021	070	076
235 ⇔ 242	<b>C4560 - Aqua</b>	007	255	031	085	115
243 ⇔ 250	<b>C4570 - Blue Green</b>	002	255	017	002	020
251 ⇔ 255	--	000	000	000	000	000



**Nota:** Los colores listados son interpretaciones simuladas de la emisión de color generada en comparación con otros productos incandescentes similares. Chauvet no garantiza la exactitud del color emitido.

Gráfico de temperaturas de color

Valor del Canal DMX	Lectura en Pantalla	Valor Rojo	Valor Verde	Valor Azul	Valor Ámbar	Valor Limón
000 ⇔ 005	--	000	000	000	000	000
006 ⇔ 025	<b>2800K</b>	255	51	18	255	255
026 ⇔ 050	<b>3200K</b>	179	82	25	185	220
051 ⇔ 075	<b>3500K</b>	255	130	33	255	240
076 ⇔ 100	<b>4000K</b>	255	219	45	198	255
101 ⇔ 125	<b>4500K</b>	140	255	55	255	255
126 ⇔ 150	<b>5000K</b>	107	255	63	200	255
151 ⇔ 175	<b>5600K</b>	82	255	72	190	230
176 ⇔ 200	<b>6000K</b>	74	255	78	167	255
201 ⇔ 225	<b>6500K</b>	65	255	84	140	255
226 ⇔ 255	--	000	000	000	000	000



Nota: Las temperaturas de color que aparecen arriba son interpretaciones simuladas de la emisión de color producida cuando se compara con una lámpara de tungsteno a la temperatura de color especificada. Chauvet no garantiza la exactitud del color emitido.

Mapa de Menú

Nivel Principal	Niveles de Programación		Descripción
DMX Address	001–510*		Selecciona la dirección de inicio (canal más alto restringido a la elección de personalidad)
DMX Channel	3 Ch		3-canales: atenuador, VCW, temperatura de color
	5 Ch		5-canales: RGBAL
	7 Ch		7-canales: atenuador, RGBAL, estroboscopio
	11 Ch		11-canales: 16 bits atenuador, RGBAL, estroboscopio, VCW, temperatura de color, zoom
	13 Ch		13-canales: 16 bits atenuador, 16 bits RGBAL, estroboscopio
	14 Ch		14-canales: atenuador, RGBAL, estroboscopio, VCW, temperatura de color, programas automáticos, velocidad, modo atenuador, zoom, reinicio del motor
	17 Ch		17-canales: 16 bits atenuador, 16 bits RGBAL, estroboscopio, VCW, temperatura de color, zoom, reinicio del motor
	HSV		3-canales: matiz, saturación, valor
Virtual Color Wheel	Virtual Color Wheel	<b>C3050-Md Yellow</b> <b>C3040-Lt Yellow</b> <b>C3240-Amb Yellow</b> <b>C2340-VLt Amber</b> <b>C2040-Lt Amber</b> <b>C2050-Md Amber</b> <b>C2060-Dk Amber</b> <b>C1050-Lt Red</b> <b>C1080-Md Red</b> <b>C1020-NC Pink</b> <b>C1030-Md Pink</b> <b>C1630-Dk Pink</b> <b>C1250-Md Red Amber</b> <b>C1060-Dk Red Amber</b> <b>C1650-Magenta</b> <b>C6170-Dk Magenta</b> <b>C6020-Lt Lavender</b> <b>C5030-Lt Blue</b> <b>C5020-VLt Blue</b> <b>C5430-Lt Blue2</b> <b>C5070-Blue</b> <b>C5050-Md Blue</b> <b>C5060-Dk Blue</b>	<b>Dimmer &lt;000–255&gt;</b> Rueda de Color Virtual (VCW) simula la emisión de cada gel de color de Rosco. Consulte la sección <a href="#">Tabla de Colores VCW</a> para ver los valores específicos

Nivel Principal	Niveles de Programación		Descripción	
Virtual Color Wheel (cont.)	Virtual Color Wheel (cont.)	C5690- Indigo	Dimmer <000–255>	Rueda de Color Virtual (VCW) simula la emisión de cada gel de color de Rosco. Consulte la sección <a href="#">Tabla de Colores VCW</a> para ver los valores específicos
		C5080-VDk Blue		
		C5081-VDk Blue2		
		C4370-Yel Green		
		C4070-Green		
		C4550-Turquoise		
		C4560-Aqua		
		C4570-Blue Green		
	Color Temperature	2800K	Dimmer <000–255>	Temperaturas de color blanco Emula una lámpara de tungsteno a la temperatura de color especificada. Consulte el apartado <a href="#">Gráfico de temperaturas de color</a> para ver valores concretos
		3200K		
		3500K		
		4000K		
		4500K		
		5000K		
		5600K		
Manual Color Mixer	Red	<000–255>	Combina rojo, verde, azul, ámbar y lime para generar un color personalizado (0–100%)	
	Green	<000–255>		
	Blue	<000–255>		
	Amber	<000–255>		
	Lime	<000–255>		
Auto Show	Auto 1–5	<001–100>	Selecciona programas automáticos y velocidad	
Zoom	0–255		Controla el zoom	
Master/Slave	Master		Modo DMX (maestro)	
	Slave		Modo esclavo	
Dimmer Mode	Off		Atenuador lineal	
	Dimmer 1–3		Curvas de atenuador rápido ( <b>Dimmer 1</b> ) a lento ( <b>Dimmer 3</b> )	
White Balance	Off		Utiliza la configuración de blanco predeterminada de fábrica	
	Manual	Red	<125–255>	Establece el valor máximo de LED rojo
		Green	<125–255>	Establece el valor máximo de LED verde
		Blue	<125–255>	Establece el valor máximo de LED azul
		Amber	<125–255>	Establece el valor máximo de LED ámbar
Lime	<125–255>	Establece el valor máximo de LED lime		
LED Frequency	600Hz		Selecciona la frecuencia de emisión PWM	
	1200Hz			
	2000Hz			
	4000Hz			
	6000Hz			
	25KHz			
Fan Mode	Auto		Establece el ventilador a modo auto	
	On		Establece el ventilador a modo siempre encendido	
Back Light	On		Retro-iluminación de la pantalla siempre activa	
	10S		Retro-iluminación de la pantalla se apaga después de 10 segundos de inactividad	
	20S		Retro-iluminación de la pantalla se apaga después de 20 segundos de inactividad	
	30S		Retro-iluminación de la pantalla se apaga después de 30 segundos de inactividad	
Information	Fixture Hours	<_ _ _ _ H>	Muestra el nombre total de las horas del producto	
	Version	<V _ . _>	Muestra instalada la versión de firmware	
	UID	<_ _ _ _ _ _ _ _>	Muestra el UID # del producto	
Reset Factory	No		Reinicia a la configuración de fábrica	
	Yes			

**Valores DMX**
**17 Ch**

Canal	Función	Valor	Porcentaje/Configuración
1	Atenuador	000 ⇄ 255	0–100%
2	Atenuador fino	000 ⇄ 255	0–100%
3	Rojo	000 ⇄ 255	0–100%
4	Rojo fino	000 ⇄ 255	0–100%
5	Verde	000 ⇄ 255	0–100%
6	Verde fino	000 ⇄ 255	0–100%
7	Azul	000 ⇄ 255	0–100%
8	Azul fino	000 ⇄ 255	0–100%
9	Ámbar	000 ⇄ 255	0–100%
10	Ámbar fino	000 ⇄ 255	0–100%
11	Lime	000 ⇄ 255	0–100%
12	Lime fino	000 ⇄ 255	0–100%
13	Estroboscopio	000 ⇄ 010	Sin función
		011 ⇄ 255	Estroboscopio, lento a rápido
14	Rueda de color virtual	000 ⇄ 255	Vea <a href="#">Tabla de Colores VCW</a>
15	Temperatura de color	000 ⇄ 255	Vea <a href="#">Gráfico de temperaturas de color</a>
16	Zoom	000 ⇄ 255	Estrecho a ancho
17	Reinicio del motor	000 ⇄ 200	Sin función
		201 ⇄ 220	Reinicio del motor
		221 ⇄ 255	Sin función

**14 Ch**

Canal	Función	Valor	Porcentaje/Configuración
1	Atenuador	000 ⇄ 255	0–100%
2	Rojo	000 ⇄ 255	0–100%
3	Verde	000 ⇄ 255	0–100%
4	Azul	000 ⇄ 255	0–100%
5	Ámbar	000 ⇄ 255	0–100%
6	Lime	000 ⇄ 255	0–100%
7	Estroboscopio	000 ⇄ 010	Sin función
		011 ⇄ 255	Estroboscopio, lento a rápido
8	Rueda de color virtual	000 ⇄ 255	Vea <a href="#">Tabla de Colores VCW</a>
9	Temperatura de color	000 ⇄ 255	Vea <a href="#">Gráfico de temperaturas de color</a>
10	Programas automáticos	000 ⇄ 010	Sin función
		011 ⇄ 060	Programa automático 1
		061 ⇄ 110	Programa automático 2
		111 ⇄ 160	Programa automático 3
		161 ⇄ 210	Programa automático 4
211 ⇄ 255	Programa automático 5		
11	Velocidad de programa	000 ⇄ 255	Velocidad de programa, lento a rápido
12	Velocidad Atenuador	000 ⇄ 051	Sin función
		052 ⇄ 101	Atenuador lineal
		102 ⇄ 152	Curva de atenuador 1
		153 ⇄ 203	Curva de atenuador 2
204 ⇄ 255	Curva de atenuador 3	Mantenga pulsado durante 3 segundos: Anula y cambia la selección del menú	
12	Zoom	000 ⇄ 255	Estrecho a ancho
13	Reinicio del motor	000 ⇄ 200	Sin función
		201 ⇄ 220	Reinicio del motor
		221 ⇄ 255	Sin función

ES

13 Ch

Canal	Función	Valor	Porcentaje/Configuración
1	Atenuador	000 ⇔ 255	0–100%
2	Atenuador fino	000 ⇔ 255	0–100%
3	Rojo	000 ⇔ 255	0–100%
4	Rojo fino	000 ⇔ 255	0–100%
5	Verde	000 ⇔ 255	0–100%
6	Verde fino	000 ⇔ 255	0–100%
7	Azul	000 ⇔ 255	0–100%
8	Azul fino	000 ⇔ 255	0–100%
9	Ámbar	000 ⇔ 255	0–100%
10	Ámbar fino	000 ⇔ 255	0–100%
11	Lime	000 ⇔ 255	0–100%
12	Lime fino	000 ⇔ 255	0–100%
13	Estroboscopio	000 ⇔ 010 011 ⇔ 255	Sin función Estroboscopio, lento a rápido

11 Ch

Canal	Función	Valor	Porcentaje/Configuración
1	Atenuador	000 ⇔ 255	0–100%
2	Atenuador fino	000 ⇔ 255	0–100%
3	Rojo	000 ⇔ 255	0–100%
4	Verde	000 ⇔ 255	0–100%
5	Azul	000 ⇔ 255	0–100%
6	Ámbar	000 ⇔ 255	0–100%
7	Lime	000 ⇔ 255	0–100%
8	Estroboscopio	000 ⇔ 010 011 ⇔ 255	Sin función Estroboscopio, lento a rápido
9	Rueda de color virtual	000 ⇔ 255	Vea <a href="#">Tabla de Colores VCW</a>
10	Temperatura de color	000 ⇔ 255	Vea <a href="#">Gráfico de temperaturas de color</a>
11	Zoom	000 ⇔ 255	Estrecho a ancho

7 Ch

Canal	Función	Valor	Porcentaje/Configuración
1	Atenuador	000 ⇔ 255	0–100%
2	Rojo	000 ⇔ 255	0–100%
3	Verde	000 ⇔ 255	0–100%
4	Azul	000 ⇔ 255	0–100%
5	Ámbar	000 ⇔ 255	0–100%
6	Lime	000 ⇔ 255	0–100%
7	Estroboscopio	000 ⇔ 010 011 ⇔ 255	Sin función Estroboscopio, lento a rápido



5 Ch

Canal	Función	Valor	Porcentaje/Configuración
1	Rojo	000 ⇔ 255	0–100%
2	Verde	000 ⇔ 255	0–100%
3	Azul	000 ⇔ 255	0–100%
4	Ámbar	000 ⇔ 255	0–100%
5	Lime	000 ⇔ 255	0–100%

3 Ch

Canal	Función	Valor	Porcentaje/Configuración
1	Atenuador	000 ⇔ 255	0–100%
2	Rueda de color virtual	000 ⇔ 255	Vea <a href="#">Tabla de Colores VCW</a>
3	Temperatura de color	000 ⇔ 255	Vea <a href="#">Gráfico de temperaturas de color</a>

HSV

Canal	Función	Valor	Porcentaje/Configuración
1	Matiz	000 ⇔ 255	0–100%
2	Saturación	000 ⇔ 255	0–100%
3	Valor	000 ⇔ 255	0–100%

## À Propos de ce Manuel

Le Manuel de Référence (MdR) Ovation F-915FC reprend des informations de base sur ce produit notamment en matière de connexions, montage, options de menu et valeurs DMX. Téléchargez le manuel d'utilisation sur [www.chauvetprofessional.com](http://www.chauvetprofessional.com) pour de plus amples informations.

### Clause de Non-Responsabilité

Les informations et caractéristiques contenues dans ce manuel sont sujettes à changement sans préavis.

### Consignes de Sécurité

Ces consignes de sécurité contiennent des informations importantes en matière d'installation, d'utilisation et d'entretien.

- N'ouvrez PAS ce produit. Il ne contient aucun composant susceptible d'être réparé par l'utilisateur.
- Ne regardez PAS la source lumineuse lorsque le produit fonctionne.
- Durant les périodes de non-utilisation, pour éviter toute usure inutile et pour prolonger la durée de vie, déconnectez-entièrement l'appareil en le débranchant de l'alimentation électrique ou en coupant le disjoncteur.
- ATTENTION: Lorsque l'appareil est transféré d'un environnement à température extrême à un autre (par exemple d'un camion froid vers une salle de bal chaude et humide), de la condensation peut se former sur les composants électriques internes. Pour éviter de causer des dommages, laissez l'appareil s'acclimater entièrement au milieu environnant avant de le mettre sous tension.
- ATTENTION: le boîtier de ce produit est brûlant lors du fonctionnement.
- Montez toujours ce produit dans un endroit bien ventilé, à au moins, 20 pouces (50 cm) des surfaces adjacentes.
- Ne laissez AUCUNE source inflammable dans un rayon de 50 cm du produit lorsque celui-ci fonctionne.
- Utilisez TOUJOURS un câble de sécurité lorsque vous montez ce produit en hauteur.
- N'utilisez PAS ce produit en extérieur ou tout autre endroit où de la poussière, une chaleur excessive, de l'eau ou de l'humidité pour en affecter le fonctionnement. (IP20)
- N'utilisez PAS ce produit si le boîtier, les lentilles ou les câbles vous semblent endommagés.
- Ne connectez PAS ce produit ni à un gradateur ni à un rhéostat.
- Connectez UNIQUEMENT ce produit à un circuit protégé et relié à la terre.
- Transportez/Suspendez ce produit UNIQUEMENT au moyen de la poignée ou lyre de suspension dont il est doté.
- En cas de sérieux problèmes de fonctionnement, arrêtez le système immédiatement.
- La température ambiante maximale supportée par ce produit est de 113 °F (45 °C). Ne le faites pas fonctionner à des températures plus élevées.

### Contact

En dehors des États-Unis, du Royaume-Uni et de l'Irlande, du Mexique, ou de Benelux contactez votre fournisseur si vous avez besoin d'assistance ou de retourner votre produit. Consultez le site [www.chauvetprofessional.com](http://www.chauvetprofessional.com) pour trouver nos coordonnées.

### Ce qui est Inclus

- Ovation F-915FC
- Un Cordon d'Alimentation Neutrik® powerCON®
- Cadre pour gélatine (191 mm/7,5 in accessoires)
- Une fiche de Garantie
- Un Manuel de Référence

### Alimentation CA

Ce produit est doté d'une alimentation universelle prenant en charge toute tension d'entrée comprise entre 100 et 240 VCA, 50/60 Hz.

### Connexion Électrique

Vous pouvez connecter jusqu'à 6 Ovation F-915FC à 120 V, 10 unités à 208 V ou 12 unités à 230 V. Vous pouvez vous procurer séparément des cordons d'alimentation.

### Prise CA

Connexion	Câble (États-Unis)	Câble (Europe)	Couleur de la Vis
Conducteur CA	Noir	Marron	Jaune/Cuivré
Neutre CA	Blanc	Bleu	Argenté
Terre CA	Vert/Jaune	Vert/Jaune	Vert



**Durant les périodes de non-utilisation, pour éviter toute usure inutile et pour prolonger la durée de vie, déconnectez-entièrement l'appareil en le débranchant de l'alimentation électrique ou en coupant le disjoncteur.**

### Remplacement du Fusible

1. Débranchez l'appareil de la prise.
2. À l'aide d'un tournevis Philips à tête n° 2, dévissez le couvercle du porte-fusible.
3. Remplacez le fusible obsolète par un fusible neuf équivalent
4. Revissez le couvercle du porte-fusible et rebranchez l'unité.

## Raccordement DMX

Le Ovation F-915FC fonctionnera avec un jeu d'orgues DMX au moyen de connexions DMX en série standard. Une introduction au DMX est à votre disposition sur [www.chauvetprofessional.com](http://www.chauvetprofessional.com).

### Connexion DMX

Le Ovation F-915FC utilise une connexion de données DMX standard pour ses 8 personnalités DMX: **3 Ch, 5 Ch, 7 Ch, 11 Ch, 13 Ch, 14 Ch, 17 Ch** et **HSV**. Consultez le manuel d'utilisation pour connecter et configurer le système DMX.

### Connexion Maître/Esclave

Le Ovation F-915FC utilise une connexion de données DMX pour son mode Maître/Esclave. Consultez le Manuel d'Utilisation pour connecter et configurer le mode de fonctionnement Maître/Esclave.

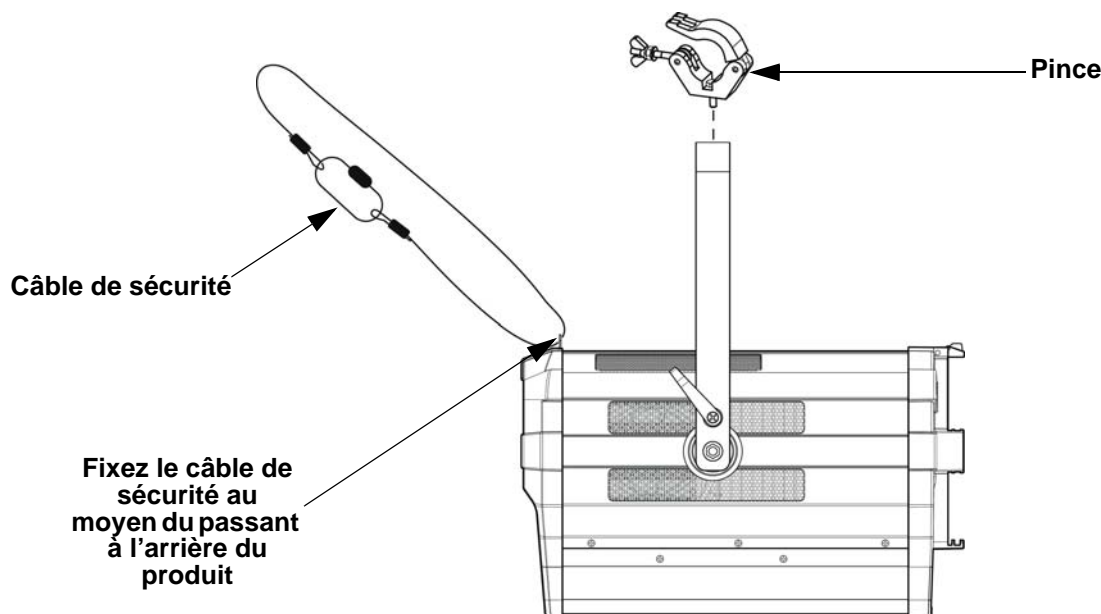
### RDM (Gestion des périphériques à distance)

Le protocole RDM (gestion des périphériques à distance) est un standard pour la communication bidirectionnelle des appareils dotés de fonctions DMX dans un câblage DMX existant. Le Ovation F-915FC supporte le protocole RDM permettant un retour d'information pour la surveillance de la température et des changements des options de menu **DMX Address, DMX Channel, Dimmer Mode** et **LED Frequency**. Veuillez télécharger le manuel de l'utilisateur à partir du site internet [www.chauvetprofessional.com](http://www.chauvetprofessional.com) pour plus de détails.

## Installation

Avant de monter cet appareil, lisez et assimilez les [Consignes de Sécurité](#). Veillez à ce que les fixations sont capables de supporter le poids de l'unité. Découvrez notre gamme de fixations Chauvet sur <http://trusst.com/products>.

### Schéma de Montage de l'appareil



## Description du Tableau de Commandes

Bouton/Molette	Fonction
<MENU>	Permet la sortie du menu ou de la fonction en cours
<ENTER>	Permet l'affichage du menu en cours ou permet de configurer la valeur en cours dans la fonction sélectionnée
<UP>	Permet de parcourir les listes de menu vers le haut, dans une fonction permet d'augmenter les valeurs numériques
<DOWN>	Permet de parcourir les listes de menu vers le bas, dans une fonction permet de diminuer les valeurs numériques
<KNOB1>	Appuyez puis tournez pour sélectionner la température de couleur
<KNOB2>	Appuyez puis tournez pour augmenter ou diminuer le gradateur
<KNOB3>	Appuyez puis tournez pour augmenter ou diminuer le zoom

## Roue de Couleurs Virtuelles (VCW)

Le Ovation F-915FC dispose d'une fonction appelée Roue de Couleur Virtuelle (VCW - Virtual Color Wheel). Cette fonction est disponible en mode de contrôle autonome pour une utilisation manuelle mais également en tant que canal de contrôle dans certaines personnalités DMX. Plus de 30 couleurs pré-mélangées, personnalisées par nos ingénieurs, sont disponibles pour faciliter la programmation.

Les valeurs DMX utilisées pour mélanger ces couleurs sont indiquées ci-dessous. Vous pouvez ajuster l'intensité globale du Ovation afin de reproduire plus fidèlement les couleurs que vous avez l'habitude d'utiliser. Un graphique est disponible sur notre site Web à l'adresse [www.chauvetprofessional.com](http://www.chauvetprofessional.com) pour comparer nos couleurs pré-mélangées avec des couleurs de gel populaires. Ce tableau est fourni uniquement à des fins de comparaison et ne certifie pas que nos couleurs pré-mélangées correspondent aux couleurs de gel énumérées.

### Gamme de Couleurs

Valeurs des Canaux DMX	Affichage à l'Écran	Valeur Rouge	Valeur Vert	Valeur Bleu	Valeur Ambre	Valeur Lime
000 ⇔ 005	--	000	000	000	000	000
006 ⇔ 013	<b>C3050 - Md Yellow</b>	150	125	002	255	043
014 ⇔ 021	<b>C3040 - Lt Yellow</b>	235	108	005	255	076
022 ⇔ 028	<b>C3240 - Amb Yellow</b>	171	036	000	120	255
029 ⇔ 035	<b>C2340 - V Lt Amber</b>	255	015	017	255	170
036 ⇔ 043	<b>C2040 - Lt Amber</b>	255	000	010	255	143
044 ⇔ 051	<b>C2050 - Md Amber</b>	255	000	003	255	075
052 ⇔ 059	<b>C2060 - Dk Amber</b>	188	000	002	255	044
060 ⇔ 067	<b>C1050 - Lt Red</b>	255	000	002	021	002
068 ⇔ 075	<b>C1080 - Md Red</b>	255	000	002	000	000
076 ⇔ 083	<b>C1020 - NC Pink</b>	255	130	025	255	027
084 ⇔ 091	<b>C1030 - Md Pink</b>	255	013	041	235	182
092 ⇔ 099	<b>C1630 - Dk Pink</b>	255	015	027	030	255
100 ⇔ 107	<b>C1250 - Md Red Amber</b>	255	000	004	115	009
108 ⇔ 115	<b>C1060 - Dk Red Amber</b>	255	000	004	011	008
116 ⇔ 121	<b>C1650 - Magenta</b>	255	000	022	081	039
122 ⇔ 130	<b>C6170 - Dk Magenta</b>	160	000	025	000	004
131 ⇔ 138	<b>C6020 - Lt Lavender</b>	255	162	043	255	140
139 ⇔ 146	<b>C5030 - Lt Blue</b>	012	255	070	076	115
147 ⇔ 154	<b>C5020 - V Lt Blue</b>	030	187	085	215	255
155 ⇔ 162	<b>C5430 - Lt Blue 2</b>	004	255	062	093	049
163 ⇔ 170	<b>C5070 - Blue</b>	005	255	190	003	012
171 ⇔ 178	<b>C5050 - Md Blue</b>	008	250	145	005	088
179 ⇔ 186	<b>C5060 - Dk Blue</b>	005	209	255	015	074
187 ⇔ 194	<b>C5690 - Indigo</b>	005	000	200	013	003
195 ⇔ 202	<b>C5080 - V Dk Blue</b>	007	112	255	005	007
203 ⇔ 210	<b>C5081 - V Dk Blue2</b>	004	108	255	003	004
211 ⇔ 218	<b>C4370 - Yel Green</b>	004	255	000	005	003
219 ⇔ 226	<b>C4070 - Green</b>	027	255	006	000	020
227 ⇔ 234	<b>C4550 - Turquoise</b>	007	255	021	070	076
235 ⇔ 242	<b>C4560 - Aqua</b>	007	255	031	085	115
243 ⇔ 250	<b>C4570 - Blue Green</b>	002	255	017	002	020
251 ⇔ 255	--	000	000	000	000	000



**Remarque:** Les couleurs ci-dessus sont des rendus simulés de couleurs produits sur base des couleurs émises par les appareils à incandescence. Chauvet ne peut garantir l'exactitude du rendu d'une couleur.

Gamme des températures de couleur

Valeurs des Canaux DMX	Affichage à l'Écran	Valeur Rouge	Valeur Vert	Valeur Bleu	Valeur Ambre	Valeur Lime
000 ⇔ 005	--	000	000	000	000	000
006 ⇔ 025	<b>2800K</b>	255	51	18	255	255
026 ⇔ 050	<b>3200K</b>	179	82	25	185	220
051 ⇔ 075	<b>3500K</b>	255	130	33	255	240
076 ⇔ 100	<b>4000K</b>	255	219	45	198	255
101 ⇔ 125	<b>4500K</b>	140	255	55	255	255
126 ⇔ 150	<b>5000K</b>	107	255	63	200	255
151 ⇔ 175	<b>5600K</b>	82	255	72	190	230
176 ⇔ 200	<b>6000K</b>	74	255	78	167	255
201 ⇔ 225	<b>6500K</b>	65	255	84	140	255
226 ⇔ 255	--	000	000	000	000	000



Remarque: Les températures de couleur ci-dessus sont des rendus simulés de la sortie de couleur effectivement générée par comparaison avec une lampe tungstène à la température de couleur spécifiée. Chauvet ne donne aucune garantie sur la précision de la sortie de couleur.

Tableau de Menu

Niveau Principal	Niveaux de Programmation		Description	
DMX Address	001–510*		Permet de sélectionner l'adresse de démarrage (le canal le plus élevé est restreint à la personnalité choisie)	
DMX Channel	3 Ch		3-canaux: gradateur, VCW, température de couleur	
	5 Ch		5-canaux: RGBAL	
	7 Ch		7-canaux: gradateur, RGBAL, stroboscope	
	11 Ch		11-canaux: gradateur 16-bit, RGBAL, stroboscope, VCW, température de couleur, zoom	
	13 Ch		13-canaux: gradateur 16-bit, RGBAL 16-bit, stroboscope	
	14 Ch		14-canaux: gradateur, RGBAL, stroboscope, VCW, température de couleur, programmes, vitesses, mode gradation, zoom, réinitialisation du moteur	
	17 Ch		17-canaux: gradateur 16-bit, RGBAL 16-bit, stroboscope, VCW, température de couleur, zoom, réinitialisation du moteur	
Virtual Color Wheel	HSV		3-canaux: teinte, saturation, valeur	
	Virtual Color Wheel	C3050-Md Yellow	Dimmer <000–255>	Roue de Couleurs Virtuelles (VCW) simule le rendu des gélamines de couleur de Rosco. Consultez la section <a href="#">Gamme de Couleurs</a> pour en connaître les valeurs spécifiques
		C3040-Lt Yellow		
		C3240-Amb Yellow		
		C2340-VLt Amber		
		C2040-Lt Amber		
		C2050-Md Amber		
		C2060-Dk Amber		
		C1050-Lt Red		
		C1080-Md Red		
		C1020-NC Pink		
		C1030-Md Pink		
		C1630-Dk Pink		
		C1250-Md Red Amber		
		C1060-Dk Red Amber		
		C1650-Magenta		
		C6170-Dk Magenta		
		C6020-Lt Lavender		
		C5030-Lt Blue		
		C5020-VLt Blue		
C5430-Lt Blue2				
C5070-Blue				
C5050-Md Blue				

Niveau Principal	Niveaux de Programmation		Description	
Virtual Color Wheel (suite)	Virtual Color Wheel (suite)	C5060-Dk Blue	Dimmer <000-255>	Roue de Couleurs Virtuelles (VCW) simule le rendu des gélâtines de couleur de Rosco. Consultez la section <a href="#">Gamme de Couleurs</a> pour en connaître les valeurs spécifiques
		C5690- Indigo		
		C5080-VDk Blue		
		C5081-VDk Blue2		
		C4370-Yel Green		
		C4070-Green		
		C4550-Turquoise		
		C4560-Aqua		
	C4570-Blue Green			
	Color Temperature	2800K	Dimmer <000-255>	Températures de couleur de blanc prédéfinies. Simule une lampe tungstène à la température de couleur spécifiée. Consultez la section <a href="#">Gamme des températures de couleur</a> pour les valeurs spécifiques
		3200K		
		3500K		
		4000K		
		4500K		
		5000K		
5600K				
6000K				
6500K				
Manual Color Mixer	Red	<000-255>	Combine les couleurs rouge, vert, bleu, ambre et lime pour un résultat personnalisé (0-100%)	
	Green	<000-255>		
	Blue	<000-255>		
	Amber	<000-255>		
	Lime	<000-255>		
Auto Show	Auto 1-5	<001-100>	Sélectionne les programmes automatiques et vitesse	
Zoom		0-255	Commande du zoom	
Master/Slave	Master		Mode DMX (Maître)	
	Slave		Mode esclave	
Dimmer Mode	Off		Gradateur linéaire	
	Dimmer 1-3		Courbes de gradation rapide ( <b>Dimmer 1</b> ) à lent ( <b>Dimmer 3</b> )	
White Balance	Off		Utilise le paramétrage de blanc défini en usine	
	Manual	Red	<125-255>	Définit la valeur maximale de LED rouge
		Green	<125-255>	Définit la valeur maximale de LED verte
		Blue	<125-255>	Définit la valeur maximale de LED bleue
		Amber	<125-255>	Définit la valeur maximale de LED ambre
Lime	<125-255>	Définit la valeur maximale de LED lime		
LED Frequency		600Hz	Permet de sélectionner la fréquence de sortie MLI	
		1200Hz		
		2000Hz		
		4000Hz		
		6000Hz		
		25KHz		
Fan Mode	Auto		Réglez le ventilateur en mode automatique	
	On		Réglez le mode de ventilateur toujours	
Back Light	On		Affichage rétro-éclairage toujours active	
	10S		Désactive l'affichage rétro-éclairage après 10 secondes d'inactivité	
	20S		Désactive l'affichage rétro-éclairage après 20 secondes d'inactivité	
	30S		Désactive l'affichage rétro-éclairage après 30 secondes d'inactivité	
Information	Fixture Hours	<_ _ _ _ H>	Affiche le nombre total des heures du produit	
	Version	<V _ . _>	Affiche la version du logiciel installée	
	UID	<_ _ _ _ _ _ _ _>	Affiche UID actuel	
Reset Factory	No		Permet de réinitialiser aux valeurs par défaut d'usine	
	Yes			

**Valeurs DMX**
**17 Ch**

Canal	Fonction	Valeur	Pourcentage/Configuration
1	Gradateur	000 ⇄ 255	0–100%
2	Gradateur fin	000 ⇄ 255	0–100%
3	Rouge	000 ⇄ 255	0–100%
4	Rouge fin	000 ⇄ 255	0–100%
5	Vert	000 ⇄ 255	0–100%
6	Vert fin	000 ⇄ 255	0–100%
7	Bleu	000 ⇄ 255	0–100%
8	Bleu fin	000 ⇄ 255	0–100%
9	Ambre	000 ⇄ 255	0–100%
10	Ambre fin	000 ⇄ 255	0–100%
11	Lime	000 ⇄ 255	0–100%
12	Lime fin	000 ⇄ 255	0–100%
13	Stroboscope	000 ⇄ 010	Pas de fonction
		011 ⇄ 255	Stroboscope, lent à rapide
14	Roue de couleurs virtuelles	000 ⇄ 255	Consultez la section <a href="#">Gamme de Couleurs</a>
15	Température de la couleur	000 ⇄ 255	Consultez la section <a href="#">Gamme des températures de couleur</a>
16	Zoom	000 ⇄ 255	Étroit à large
17	Réinitialisation du moteur	000 ⇄ 200	Pas de fonction
		201 ⇄ 220	Réinitialisation du moteur
		221 ⇄ 255	Pas de fonction

**14 Ch**

Canal	Fonction	Valeur	Pourcentage/Configuration
1	Gradateur	000 ⇄ 255	0–100%
2	Rouge	000 ⇄ 255	0–100%
3	Vert	000 ⇄ 255	0–100%
4	Bleu	000 ⇄ 255	0–100%
5	Ambre	000 ⇄ 255	0–100%
6	Lime	000 ⇄ 255	0–100%
7	Stroboscope	000 ⇄ 010	Pas de fonction
		011 ⇄ 255	Stroboscope, lent à rapide
8	Roue de couleurs virtuelles	000 ⇄ 255	Consultez la section <a href="#">Gamme de Couleurs</a>
9	Température de la couleur	000 ⇄ 255	Consultez la section <a href="#">Gamme des températures de couleur</a>
10	Programmes automatiques	000 ⇄ 010	Pas de fonction
		011 ⇄ 060	Programme automatique 1
		061 ⇄ 110	Programme automatique 2
		111 ⇄ 160	Programme automatique 3
		161 ⇄ 210	Programme automatique 4
211 ⇄ 255	Programme automatique 5		
11	Vitesse du programme	000 ⇄ 255	Vitesse du programme, lent à rapide
12	Vitesse du Gradateur	000 ⇄ 051	Pas de fonction
		052 ⇄ 101	Gradateur linéaire
		102 ⇄ 152	Courbe de gradation 1
		153 ⇄ 203	Courbe de gradation 2
204 ⇄ 255	Courbe de gradation 3		
12	Zoom	000 ⇄ 255	Étroit à large
13	Réinitialisation du moteur	000 ⇄ 200	Pas de fonction
		201 ⇄ 220	Réinitialisation du moteur
		221 ⇄ 255	Pas de fonction

FR

13 Ch

Canal	Fonction	Valeur	Pourcentage/Configuration
1	Gradateur	000 ⇔ 255	0–100%
2	Gradateur fin	000 ⇔ 255	0–100%
3	Rouge	000 ⇔ 255	0–100%
4	Rouge fin	000 ⇔ 255	0–100%
5	Vert	000 ⇔ 255	0–100%
6	Vert fin	000 ⇔ 255	0–100%
7	Bleu	000 ⇔ 255	0–100%
8	Bleu fin	000 ⇔ 255	0–100%
9	Ambre	000 ⇔ 255	0–100%
10	Ambre fin	000 ⇔ 255	0–100%
11	Lime	000 ⇔ 255	0–100%
12	Lime fin	000 ⇔ 255	0–100%
13	Stroboscope	000 ⇔ 010 011 ⇔ 255	Pas de fonction Stroboscope, lent à rapide

11 Ch

Canal	Fonction	Valeur	Pourcentage/Configuration
1	Gradateur	000 ⇔ 255	0–100%
2	Gradateur fin	000 ⇔ 255	0–100%
3	Rouge	000 ⇔ 255	0–100%
4	Vert	000 ⇔ 255	0–100%
5	Bleu	000 ⇔ 255	0–100%
6	Ambre	000 ⇔ 255	0–100%
7	Lime	000 ⇔ 255	0–100%
8	Stroboscope	000 ⇔ 010 011 ⇔ 255	Pas de fonction Stroboscope, lent à rapide
9	Roue de couleurs virtuelles	000 ⇔ 255	Consultez la section <a href="#">Gamme de Couleurs</a>
10	Température de la couleur	000 ⇔ 255	Consultez la section <a href="#">Gamme des températures de couleur</a>
11	Zoom	000 ⇔ 255	Étroit à large

7 Ch

Canal	Fonction	Valeur	Pourcentage/Configuration
1	Gradateur	000 ⇔ 255	0–100%
2	Rouge	000 ⇔ 255	0–100%
3	Vert	000 ⇔ 255	0–100%
4	Bleu	000 ⇔ 255	0–100%
5	Ambre	000 ⇔ 255	0–100%
6	Lime	000 ⇔ 255	0–100%
7	Stroboscope	000 ⇔ 010 011 ⇔ 255	Pas de fonction Stroboscope, lent à rapide



5 Ch

Canal	Fonction	Valeur	Pourcentage/Configuration
1	Rouge	000 ⇔ 255	0–100%
2	Vert	000 ⇔ 255	0–100%
3	Bleu	000 ⇔ 255	0–100%
4	Ambre	000 ⇔ 255	0–100%
5	Lime	000 ⇔ 255	0–100%

3 Ch

Canal	Fonction	Valeur	Pourcentage/Configuration
1	Gradateur	000 ⇔ 255	0–100%
2	Roue de couleurs virtuelles	000 ⇔ 255	Consultez la section <a href="#">Gamme de Couleurs</a>
3	Température de la couleur	000 ⇔ 255	Consultez la section <a href="#">Gamme des températures de couleur</a>

HSV

Canal	Fonction	Valeur	Pourcentage/Configuration
1	Teint	000 ⇔ 255	0–100%
2	Saturation	000 ⇔ 255	0–100%
3	Valeur	000 ⇔ 255	0–100%

## Over deze handleiding

De Ovation F-915FC Beknopte Handleiding (BH) bevat basisinformatie over het product, zoals aansluiting, montage, menu-opties en DMX-waarden. Download de gebruikershandleiding op [www.chauvetprofessional.com](http://www.chauvetprofessional.com) voor meer informatie.

### Disclaimer

De informatie en specificaties in deze BH kunnen zonder voorafgaande kennisgeving worden gewijzigd.

### Veiligheidsinstructies

Deze veiligheidsinstructies bevatten belangrijke informatie over de installatie, het gebruik en het onderhoud.

- Open het product NIET. Het bevat geen te onderhouden onderdelen.
- KIJK NIET in de lichtbron wanneer het apparaat is ingeschakeld.
- Om onnodige slijtage te elimineren en zijn levensduur te verlengen, gedurende perioden wanneer het product niet wordt gebruikt, moet u het product van de stroom afsluiten door een aardlekschakelaar om te zetten of door het te ontkoppelen.
- LET OP: Bij het verplaatsen van het product uit extreme omgevingen, (bijv. koude vrachtwagen naar warme, vochtige balzaal) kan er condensvorming optreden op de elektronica van het product. Om storingen te vermijden moet het product volledig kunnen acclimatiseren aan de omgeving voordat het op stroom wordt aangesloten.
- LET OP: De behuizing van dit product kan heet zijn wanneer het in bedrijf is.
- Monteer dit product op een plek met voldoende ventilatie, ten minste 50 cm van de aangrenzende oppervlakken.
- Plaats geen ontvlambaar materiaal binnen 50 cm van dit product als het in gebruik is of is aangesloten op het stopcontact.
- GEBRUIK een veiligheidskabel bij het boven het hoofd plaatsen van dit product.
- Gebruik dit product NIET buitenshuis of op een locatie waar stof, grote warmte, water of vochtigheid het kunnen beïnvloeden. (IP20)
- Gebruik dit product NIET als de behuizing, lenzen of kabels beschadigd lijken.
- Sluit dit product NIET aan op een dimmer of een regelweerstand.
- Sluit dit product UITSLUITEND op een geaard en beveiligd stroomcircuit.
- Gebruik UITSLUITEND de ophang-/montagebeugels of de hendels om dit product te dragen.
- Stop in het geval van ernstige operationele problemen onmiddellijk met het gebruik.
- De maximale omgevingstemperatuur bedraagt 45 °C. Gebruik dit product niet bij hogere temperaturen.

### Contact

Van buiten de VS, Verenigd Koninkrijk, Ierland, Mexico of België kunt u contact opnemen met de distributeur of om ondersteuning vragen dan wel het product retourneren. Ga naar [www.chauvetprofessional.com](http://www.chauvetprofessional.com) voor contactinformatie.

### Wat is inbegrepen

- Ovation F-915FC
- Neutrik® powerCON® stroomsnoer
- Gelframe (191 mm/7,5 in accessoires)
- Garantiekaart
- Beknopte handleiding

## AC-Stroom

Dit product heeft een voeding met automatisch bereik die werkt met een ingangsspanning van 100–240 VAC, 50/60 Hz.

### Power Linking

U kunt tot 6 Ovation F-915FC-producten koppelen bij 120 V, 10 producten bij 208 V of 12 producten bij 230 V. Dit aantal niet overschrijden. Power Linking-snoeren kunnen apart aangeschaft worden.

### AC-stekker

Aansluiting	Snoer (VS)	Snoer (Europa)	Schroefkleur
AC Live	Zwart	Bruin	Geel/messing
AC Neutraal	Wit	Blauw	Zilver
AC Aarde	Groen/geel	Groen/geel	Groen



**Om onnodige slijtage te elimineren en zijn levensduur te verlengen, gedurende perioden wanneer het product niet wordt gebruikt, moet u het product van de stroom afsluiten door een aardlekschakelaar om te zetten of door het te ontkoppelen.**

### De zekering vervangen

1. Ontkoppel dit product van de stroom.
2. Gebruik een kruiskopschroevendraaier nr. 2 en schroef de kap van de zekeringshouder los van de behuizing.
3. Verwijder de doorgebrande zekering en vervang het met een werkende zekering van hetzelfde type en met dezelfde waarde.
4. Schroef de kap van de zekeringhouder terug en steek de stekker er weer in.

### DMX-koppeling

De Ovation F-915FC kan met een DMX-controller werken met een normale DMX seriële verbinding. Op [www.chauvetprofessional.com](http://www.chauvetprofessional.com) is een DMX-basishandleiding verkrijgbaar.

### DMX-aansluiting

De Ovation F-915FC gebruikt een normale DMX-gegevensverbinding voor zijn 8 DMX-persoonlijkheden: **3 Ch, 5 Ch, 7 Ch, 11 Ch, 13 Ch, 14 Ch, 17 Ch** en **HSV**. Zie de gebruikershandleiding om te verbinden en te configureren voor DMX-werking.

### Master/slave-verbinding

De Ovation F-915FC maakt gebruik van de DMX-dataverbinding voor haar Master-/Slave-modus. Zie de gebruikershandleiding om te verbinden en te configureren voor Master/Slave-werking.

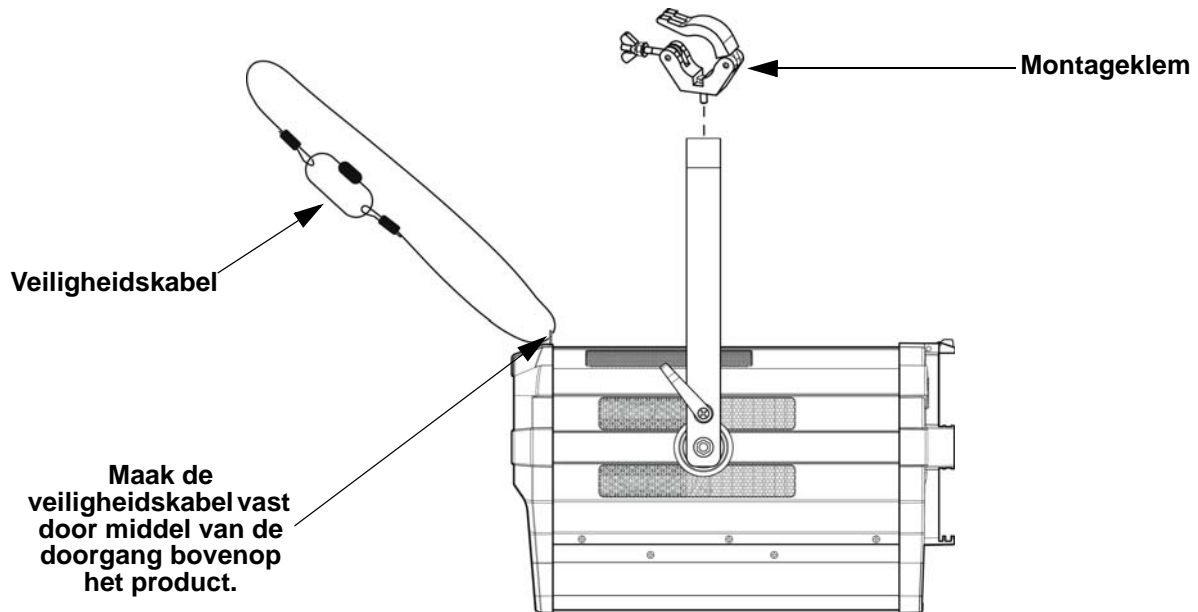
## RDM (apparaatbeheer op afstand)

Remote Device Management of RDM (apparaatbeheer op afstand) is een standaard die het voor DMX-apparaten mogelijk maakt om in twee richtingen te communiceren over bestaande DMX-kabels. De Ovation F-915FC ondersteunt het RDM-protocol dat zorgt feedback toelaat bij de bewaking van Temperatuur en wijzigingen aan de menu opties van **DMX Address**, **DMX Channel**, **Dimmer Mode** en **LED Frequency**. Download de gebruikershandleiding op [www.chauvetprofessional.com](http://www.chauvetprofessional.com) voor meer informatie.

## Montage

Lees alvorens dit product te monteren alle [Veiligheidsinstructies](#). Gebruik ten minste twee montagepunten per product. Controleer of de montageklem het gewicht van het product kan dragen. Ga voor onze Chauvet-serie montageklemmen naar <http://trusst.com/products>.

## Montagediagram



## Beschrijving bedieningspaneel

Toet/Knop	Functie
<MENU>	Sluit het huidige menu of functie af
<ENTER>	Activeert het huidige getoonde menu of plaatst de huidige geselecteerde waarde in de geselecteerde functie
<UP>	Navigeert omhoog via het menu of verhoogt de numerieke waarde wanneer in een functie
<DOWN>	Navigeert omlaag via het menu of verlaagt de numerieke waarde wanneer in een functie
<KNOB1>	Eerst indrukken en daarna draaien om de selecteren de kleurtemperatuur
<KNOB2>	Eerst indrukken en daarna draaien om de dimmer te verhogen of te verlagen
<KNOB3>	Eerst indrukken en daarna draaien om de zoom te verhogen of te verlagen

**Virtueel kleurenwiel**

De Ovation F-915FC bevat een functie, genaamd het virtuele kleurenwiel (Virtual Color Wheel, VCW). Deze functie is beschikbaar als een losstaande bedieningsmodus voor handmatig gebruik en ook als een bedieningskanaal in de geselecteerde DMX-persoonlijkheden van de producten. Voor eenvoudiger programmering zijn er meer dan 30 voorgemengde kleuren beschikbaar die speciaal door onze technici zijn samengesteld.

De DMX-waarden die worden gebruikt voor het mengen van deze kleuren staan hieronder vermeld. U kunt de algehele intensiteit van het Ovation-armatuur aanpassen om de kleuren waarmee u bekend bent beter na te bootsen. Op onze website [www.chauvetprofessional.com](http://www.chauvetprofessional.com) is een tabel beschikbaar om onze voorgemengde kleuren te vergelijken met populaire gelkleuren. Deze grafiek is uitsluitend bedoeld voor vergelijkingsdoeleinden en vormt geen garantie dat onze voorgemengde kleuren overeenkomen met de vermelde gelkleuren.

**Kleurenkaart**

DMX-kanaalwaarde	Weergave op het display	Rode waarde	Groene waarde	Blauwe waarde	Gele waarde	Lime waarde
000 ⇔ 005	--	000	000	000	000	000
006 ⇔ 013	<b>C3050 - Md Yellow</b>	150	125	002	255	043
014 ⇔ 021	<b>C3040 - Lt Yellow</b>	235	108	005	255	076
022 ⇔ 028	<b>C3240 - Amb Yellow</b>	171	036	000	120	255
029 ⇔ 035	<b>C2340 - VLt Amber</b>	255	015	017	255	170
036 ⇔ 043	<b>C2040 - Lt Amber</b>	255	000	010	255	143
044 ⇔ 051	<b>C2050 - Md Amber</b>	255	000	003	255	075
052 ⇔ 059	<b>C2060 - Dk Amber</b>	188	000	002	255	044
060 ⇔ 067	<b>C1050 - Lt Red</b>	255	000	002	021	002
068 ⇔ 075	<b>C1080 - Md Red</b>	255	000	002	000	000
076 ⇔ 083	<b>C1020 - NC Pink</b>	255	130	025	255	027
084 ⇔ 091	<b>C1030 - Md Pink</b>	255	013	041	235	182
092 ⇔ 099	<b>C1630 - Dk Pink</b>	255	015	027	030	255
100 ⇔ 107	<b>C1250 - Md Red Amber</b>	255	000	004	115	009
108 ⇔ 115	<b>C1060 - Dk Red Amber</b>	255	000	004	011	008
116 ⇔ 121	<b>C1650 - Magenta</b>	255	000	022	081	039
122 ⇔ 130	<b>C6170 - Dk Magenta</b>	160	000	025	000	004
131 ⇔ 138	<b>C6020 - Lt Lavender</b>	255	162	043	255	140
139 ⇔ 146	<b>C5030 - Lt Blue</b>	012	255	070	076	115
147 ⇔ 154	<b>C5020 - VLt Blue</b>	030	187	085	215	255
155 ⇔ 162	<b>C5430 - Lt Blue 2</b>	004	255	062	093	049
163 ⇔ 170	<b>C5070 - Blue</b>	005	255	190	003	012
171 ⇔ 178	<b>C5050 - Md Blue</b>	008	250	145	005	088
179 ⇔ 186	<b>C5060 - Dk Blue</b>	005	209	255	015	074
187 ⇔ 194	<b>C5690 - Indigo</b>	005	000	200	013	003
195 ⇔ 202	<b>C5080 - VDk Blue</b>	007	112	255	005	007
203 ⇔ 210	<b>C5081 - VDk Blue2</b>	004	108	255	003	004
211 ⇔ 218	<b>C4370 - Yel Green</b>	004	255	000	005	003
219 ⇔ 226	<b>C4070 - Green</b>	027	255	006	000	020
227 ⇔ 234	<b>C4550 - Turquoise</b>	007	255	021	070	076
235 ⇔ 242	<b>C4560 - Aqua</b>	007	255	031	085	115
243 ⇔ 250	<b>C4570 - Blue Green</b>	002	255	017	002	020
251 ⇔ 255	--	000	000	000	000	000



**Let op:** De kleuren hierboven zijn gesimuleerde waargaven van de kleurenitvoer die zijn geproduceerd, in vergelijking met de andere gelijksoortige lichtproducten. Chauvet geeft geen garantie over de nauwkeurigheid van de kleuropbrengst.

## Kleurtemperatuur-kaart

DMX-kanaalwaarde	Weergave op het display	Rode waarde	Groene waarde	Blauwe waarde	Gele waarde	Lime waarde
000 ⇔ 005	--	000	000	000	000	000
006 ⇔ 025	<b>2800K</b>	255	51	18	255	255
026 ⇔ 050	<b>3200K</b>	179	82	25	185	220
051 ⇔ 075	<b>3500K</b>	255	130	33	255	240
076 ⇔ 100	<b>4000K</b>	255	219	45	198	255
101 ⇔ 125	<b>4500K</b>	140	255	55	255	255
126 ⇔ 150	<b>5000K</b>	107	255	63	200	255
151 ⇔ 175	<b>5600K</b>	82	255	72	190	230
176 ⇔ 200	<b>6000K</b>	74	255	78	167	255
201 ⇔ 225	<b>6500K</b>	65	255	84	140	255
226 ⇔ 255	--	000	000	000	000	000



Let op: De bovenstaande kleurtemperaturen zijn gesimuleerde weergaven van de geproduceerde kleuropbrengst, in vergelijking met een wolfram-lamp bij de opgegeven kleurtemperatuur. Chauvet geeft geen garantie over de nauwkeurigheid van de kleuropbrengst.

## Menu-map

Hoofdniveau	Programmeerniveaus	Beschrijving
DMX Address	001–510*	Selecteert het start-adres (hoogste kanaal beperkt tot de gekozen persoonlijkheid)
	3 Ch	3-kanaal: dimmer, VCW, kleurtemperatuur
DMX Channel	5 Ch	5-kanaal: RGBAL
	7 Ch	7-kanaal: dimmer, RGBAL, stroboscoop
	11 Ch	11-kanaal: 16-bit dimmer, RGBAL, stroboscoop, VCW, kleurtemperatuur, zoom
	13 Ch	13-kanaal: 16-bit dimmer, 16-bit RGBAL, stroboscoop
	14 Ch	14-kanaal: dimmer, RGBAL, stroboscoop, VCW, kleurtemperatuur, programma's, snelheid, dimmersnelheidsmodus, zoom, motorreset
	17 Ch	17-kanaal: 16-bit dimmer, 16-bit RGBAL, stroboscoop, VCW, kleurtemperatuur, zoom, motorreset
	HSV	3-kanaal: tint, verzadiging, waarde

Hoofdniveau	Programmeerniveaus		Beschrijving		
Virtual Color Wheel	Virtual Color Wheel	C3050-Md Yellow	Dimmer <000–255>	Het virtuele kleurenwiel simuleert de opbrengst van elke gelkleur. Raadpleeg de sectie <a href="#">Kleurenkaart</a> voor specifieke waarden	
		C3040-Lt Yellow			
		C3240-Amb Yellow			
		C2340-VLt Amber			
		C2040-Lt Amber			
		C2050-Md Amber			
		C2060-Dk Amber			
		C1050-Lt Red			
		C1080-Md Red			
		C1020-NC Pink			
		C1030-Md Pink			
		C1630-Dk Pink			
		C1250-Md Red Amber			
		C1060-Dk Red Amber			
		C1650-Magenta			
		C6170-Dk Magenta			
		C6020-Lt Lavender			
		C5030-Lt Blue			
		C5020-VLt Blue			
		C5430-Lt Blue2			
C5070-Blue					
C5050-Md Blue					
C5060-Dk Blue					
Virtual Color Wheel (vervolg)	Virtual Color Wheel (vervolg)	C5690- Indigo	Dimmer <000–255>	Het virtuele kleurenwiel simuleert de opbrengst van elke gelkleur. Raadpleeg de sectie <a href="#">Kleurenkaart</a> voor specifieke waarden	
		C5080-VDk Blue			
		C5081-VDk Blue2			
		C4370-Yel Green			
		C4070-Green			
		C4550-Turquoise			
		C4560-Aqua			
		C4570-Blue Green			
	Virtual Color Wheel (vervolg)	Color Temperature	2800K	Dimmer <000–255>	Vooringestelde witte kleurtemperaturen. Emuleert een wolfram-lamp bij de opgegeven kleurtemperatuur. Raadpleeg de sectie <a href="#">Kleurtemperatuur-kaart</a> voor specifieke waarden
			3200K		
			3500K		
			4000K		
			4500K		
			5000K		
			5600K		
6000K					
6500K					
Manual Color Mixer		Red	<000–255>	Combineert rood, groen, blauw, amber en lime om een aangepaste kleur te genereren (0–100%)	
		Green	<000–255>		
		Blue	<000–255>		
		Amber	<000–255>		
		Lime	<000–255>		
Auto Show	Auto 1–5	<001–100>	Selecteert automatische programma's en automatische programmasnelheid		
Zoom	0–255		Controleert de zoom		
Master/ Slave	Master		DMX-modus (Master)		
	Slave		Slave-modus		
Dimmer Mode	Off		Lineaire dimmer		
	Dimmer 1–3		Selecteert dimprofielen van snel ( <b>Dimmer 1</b> ) tot langzaam ( <b>Dimmer 3</b> )		

Hoofdniveau	Programmeerniveaus		Beschrijving	
White Balance	Off		Gebruikt standaard witte instelling	
	Manual	Red	<125-255>	Stelt de maximum waarde van de rode LED in
		Green	<125-255>	Stelt de maximum waarde van de groene LED in
		Blue	<125-255>	Stelt de maximum waarde van de blauwe LED in
		Amber	<125-255>	Stelt de maximum waarde van de amber LED in
		Lime	<125-255>	Stelt de maximum waarde van de lime LED in
LED Frequency	600Hz		Selecteert de PWM-uitgangsfrequentie	
	1200Hz			
	2000Hz			
	4000Hz			
	6000Hz			
	25KHz			
Fan Mode	Auto		Ingesteld de ventilator automatische modus	
	On		Ingesteld de ventilator altijd aan modus	
Back Light	On		De backlight van de display is altijd aan	
	10S		Schakelt de backlight van de display uit na 10s van inactiviteit	
	20S		Schakelt de backlight van de display uit na 20s van inactiviteit	
	30S		Schakelt de backlight van de display uit na 30s van inactiviteit	
Information	Fixture Hours	<_ _ _ _ H>	Toont het totale aantal producten	
	Version	<V _ . _>	Toont de geïnstalleerde softwareversie	
	UID	<_ _ _ _ _ _ _ _ _ _>	Geeft de huidige UID	
Reset Factory	No		Herstellen naar de fabrieksstandaard	
	Yes			



**DMX-waarden**
**17 Ch**

Kanaal	Functie	Waarde	Percentage/Instelling
1	Dimmer	000 ⇄ 255	0–100%
2	Fijnedimmer	000 ⇄ 255	0–100%
3	Rood	000 ⇄ 255	0–100%
4	Fijnerood	000 ⇄ 255	0–100%
5	Groen	000 ⇄ 255	0–100%
6	Fijnegroen	000 ⇄ 255	0–100%
7	Blauw	000 ⇄ 255	0–100%
8	Fijneblauw	000 ⇄ 255	0–100%
9	Amber	000 ⇄ 255	0–100%
10	Fijnamber	000 ⇄ 255	0–100%
11	Lime	000 ⇄ 255	0–100%
12	Fijnlime	000 ⇄ 255	0–100%
13	Stroboscoop	000 ⇄ 010	Geen functie
		011 ⇄ 255	Stroboscoop, langzaam tot snel
14	Virtueel kleurenwiel	000 ⇄ 255	Raadpleeg de sectie <a href="#">Kleurenkaart</a>
15	Kleurtemperatuur	000 ⇄ 255	Raadpleeg de sectie <a href="#">Kleurtemperatuur-kaart</a>
16	Zoom	000 ⇄ 255	Smal tot breed
17	Motorreset	000 ⇄ 200	Geen functie
		201 ⇄ 220	Motorreset
		221 ⇄ 255	Geen functie

**14 Ch**

Kanaal	Functie	Waarde	Percentage/Instelling
1	Dimmer	000 ⇄ 255	0–100%
2	Rood	000 ⇄ 255	0–100%
3	Groen	000 ⇄ 255	0–100%
4	Blauw	000 ⇄ 255	0–100%
5	Amber	000 ⇄ 255	0–100%
6	Lime	000 ⇄ 255	0–100%
7	Stroboscoop	000 ⇄ 010	Geen functie
		011 ⇄ 255	Stroboscoop, langzaam tot snel
8	Virtueel kleurenwiel	000 ⇄ 255	Raadpleeg de sectie <a href="#">Kleurenkaart</a>
9	Kleurtemperatuur	000 ⇄ 255	Raadpleeg de sectie <a href="#">Kleurtemperatuur-kaart</a>
10	Automatische programma's	000 ⇄ 010	Geen functie
		011 ⇄ 060	Automatische programma 1
		061 ⇄ 110	Automatische programma 2
		111 ⇄ 160	Automatische programma 3
		161 ⇄ 210	Automatische programma 4
211 ⇄ 255	Automatische programma 5		
11	Programmasnelheid	000 ⇄ 255	Programmasnelheid, langzaam tot snel
12	Dimmersnelheid	000 ⇄ 051	Geen functie
		052 ⇄ 101	Lineaire dimmer
		102 ⇄ 152	Dimcurve 1
		153 ⇄ 203	Dimcurve 2
204 ⇄ 255	Dimcurve 3	Houd 3 seconden ingedrukt: Overschrijft en wijzigt de menuselectie	
12	Zoom	000 ⇄ 255	Smal tot breed
13	Motorreset	000 ⇄ 200	Geen functie
		201 ⇄ 220	Motorreset
		221 ⇄ 255	Geen functie

NL

## 13 Ch

Kanaal	Functie	Waarde	Percentage/Instelling
1	Dimmer	000 ⇔ 255	0–100%
2	Fijnedimmer	000 ⇔ 255	0–100%
3	Rood	000 ⇔ 255	0–100%
4	Fijnerood	000 ⇔ 255	0–100%
5	Groen	000 ⇔ 255	0–100%
6	Fijnegroen	000 ⇔ 255	0–100%
7	Blauw	000 ⇔ 255	0–100%
8	Fijneblauw	000 ⇔ 255	0–100%
9	Amber	000 ⇔ 255	0–100%
10	Fijnamber	000 ⇔ 255	0–100%
11	Lime	000 ⇔ 255	0–100%
12	Fijnelime	000 ⇔ 255	0–100%
13	Stroboscoop	000 ⇔ 010 011 ⇔ 255	Geen functie Stroboscoop, langzaam tot snel

## 11 Ch

Kanaal	Functie	Waarde	Percentage/Instelling
1	Dimmer	000 ⇔ 255	0–100%
2	Fijnedimmer	000 ⇔ 255	0–100%
3	Rood	000 ⇔ 255	0–100%
4	Groen	000 ⇔ 255	0–100%
5	Blauw	000 ⇔ 255	0–100%
6	Amber	000 ⇔ 255	0–100%
7	Lime	000 ⇔ 255	0–100%
8	Stroboscoop	000 ⇔ 010 011 ⇔ 255	Geen functie Stroboscoop, langzaam tot snel
9	Virtueel kleurenwiel	000 ⇔ 255	Raadpleeg de sectie <a href="#">Kleurenkaart</a>
10	Kleurtemperatuur	000 ⇔ 255	Raadpleeg de sectie <a href="#">Kleurtemperatuur-kaart</a>
11	Zoom	000 ⇔ 255	Smal tot breed

## 7 Ch

Kanaal	Functie	Waarde	Percentage/Instelling
1	Dimmer	000 ⇔ 255	0–100%
2	Rood	000 ⇔ 255	0–100%
3	Groen	000 ⇔ 255	0–100%
4	Blauw	000 ⇔ 255	0–100%
5	Amber	000 ⇔ 255	0–100%
6	Lime	000 ⇔ 255	0–100%
7	Stroboscoop	000 ⇔ 010 011 ⇔ 255	Geen functie Stroboscoop, langzaam tot snel

**5 Ch**

Kanaal	Functie	Waarde	Percentage/Instelling
1	Rood	000 ⇔ 255	0–100%
2	Groen	000 ⇔ 255	0–100%
3	Blauw	000 ⇔ 255	0–100%
4	Amber	000 ⇔ 255	0–100%
5	Lime	000 ⇔ 255	0–100%

**3 Ch**

Kanaal	Functie	Waarde	Percentage/Instelling
1	Dimmer	000 ⇔ 255	0–100%
2	Virtueel kleurenwiel	000 ⇔ 255	Raadpleeg de sectie <a href="#">Kleurenkaart</a>
3	Kleurtemperatuur	000 ⇔ 255	Raadpleeg de sectie <a href="#">Kleurtemperatuur-kaart</a>

**HSV**

Kanaal	Functie	Waarde	Percentage/Instelling
1	Tint	000 ⇔ 255	0–100%
2	Verzadiging	000 ⇔ 255	0–100%
3	Waarde	000 ⇔ 255	0–100%

Contact Us

World Headquarters	
General Information	Technical Support
Address: 5200 NW 108th Ave. Sunrise, FL 33351 Voice: (954) 577-4455 Fax: (954) 929-5560 Toll Free: (800) 762-1084	Voice: (844) 393-7575 Fax: (954) 756-8015 Email: <a href="mailto:chauvetcs@chauvetlighting.com">chauvetcs@chauvetlighting.com</a>
	<b>Website</b> <a href="http://www.chauvetlighting.com">www.chauvetlighting.com</a>
EUROPE	
General Information	Technical Support
Address: Stokstraat 18 9770 Kruishoutem Belgium Voice: +32 9 388 93 97	Email: <a href="mailto:eutech@chauvetlighting.eu">eutech@chauvetlighting.eu</a>
	<b>Website</b> <a href="http://www.chauvetlighting.eu">www.chauvetlighting.eu</a>
General Information	Technical Support
Address: Unit 1C Brookhill Road Industrial Estate Pinxton, Nottingham, UK NG16 6NT Voice: +44 (0) 1773 511115 Fax: +44 (0) 1773 511110	Email: <a href="mailto:uktech@chauvetlighting.com">uktech@chauvetlighting.com</a>
	<b>Website</b> <a href="http://www.chauvetlighting.co.uk">www.chauvetlighting.co.uk</a>
MEXICO	
General Information	Technical Support
Address: Av. de las Partidas 34 - 3B (Entrance by Calle 2) Zona Industrial Lerma Lerma, Edo. de México, CP 52000 Voice: +52 (728) 690-2010	Email: <a href="mailto:servicio@chauvet.com.mx">servicio@chauvet.com.mx</a>
	<b>Website</b> <a href="http://www.chauvet.com.mx">www.chauvet.com.mx</a>

Outside the U.S., United Kingdom, Ireland, Mexico or Benelux, contact the dealer of record. Follow the instructions to request support or to return a product. Visit our website for contact details.



RoHS

