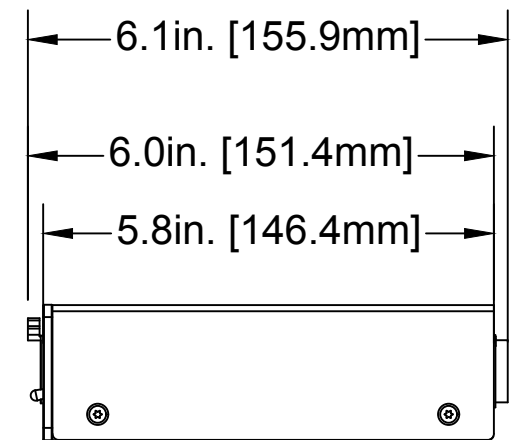
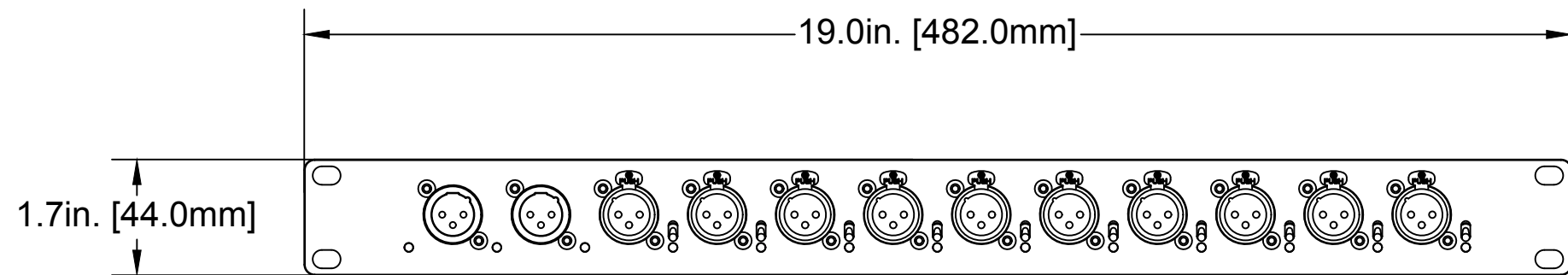
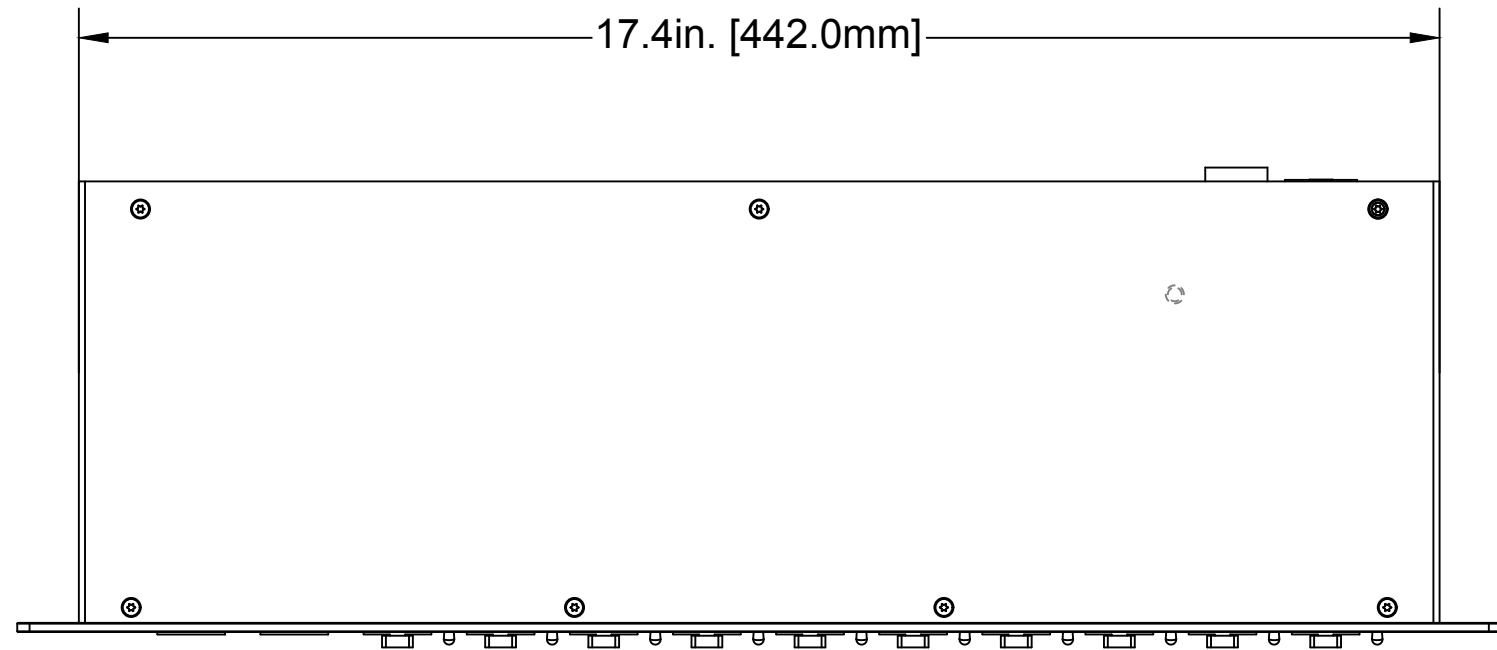


©OBSIDIAN CONTROL SYSTEMS all rights reserved. Information contained within this drawing is proprietary and confidential. Any reproduction and/or distribution of any part of this drawing without the written consent of OBSIDIAN CONTROL SYSTEMS is strictly prohibited. Diagrams and/or measurements herein subject to change without notice.



OBSIDIAN CONTROL SYSTEMS **NETRON**

TITLE: OBSIDIAN NETRON DMX10-3		DATE: 20-SEP-2021	
SCALE: NONE	TOL: ±	.XX(.X) -	.XXX(.XX) -
			ANGLE: -