

NEO Playback & Submaster Wings

Adding to our NEO family of products are the NEO Fader wings. NEO fader wings can be used to provide additional physical fader playback and submasters, depending upon model, to your NEO lighting control console.

The interconnection between each wing and the control console is via a USB connection and can be powered either directly from your NEO console or plugged directly into a common power outlet through an optional power supply.

We think you will find the NEO lighting control console and wings a worthy successor to a proud history of iconic consoles that have had the honor of bearing the Strand Lighting and now Philips Strand Lighting name.



Features - Playback Wing

- Fifteen (15) total Motorized faders (1 row of 10, 1 row of 5)
 - Ten (10) Motorized Submaster faders with backlit bump buttons (top row)
 - Five (5) Motorized Playback faders with GO, Stop/Back backlit buttons (bottom row)
- Page up and down backlit buttons for independent paging
- Five (5) color LCD displays for fader identification
- USB connectivity to a NEO Lighting Control Console
- USB communication daisy chain between each wing
- Power input and output connections on each wing (power daisy chain) - powered via the console or optional power supply (1.5 meter power cable supplied with unit for console connection)
- A maximum of three wings in total can be connected to each NEO Lighting Control Console
- Kensington lock slot at back of unit (lock / lock cable by others)
- One (1) XLR port for a Console Light (console light, sold separately)

Features - Submaster Wing

- Twenty (20) non-motorized submasters (2 rows of 10)
- Twenty (20) backlit bump buttons (one per fader)
- Page up and down backlit buttons for independent paging
- Five (5) color LCD displays for fader identification
- USB connectivity to a NEO Lighting Control Console
- USB communication daisy chain between each wing
- Power input and output connections on each wing (power daisy chain) - powered via the console or optional power supply (1.5 meter power cable supplied with unit for console connection)
- A maximum of three wings in total can be connected to each NEO Lighting Control Console
- Kensington lock slot at back of unit (lock / lock cable by others)
- One (1) XLR port for a Console Light (console light, sold separately)

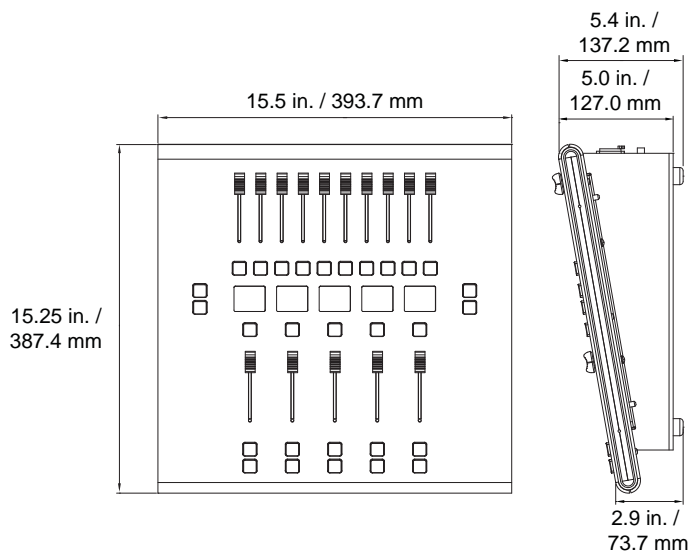
PHILIPS
Strand Lighting

NOTE: NEO Lighting Control Console, Playback Wing, Submaster Wing, and video monitors are all sold separately.

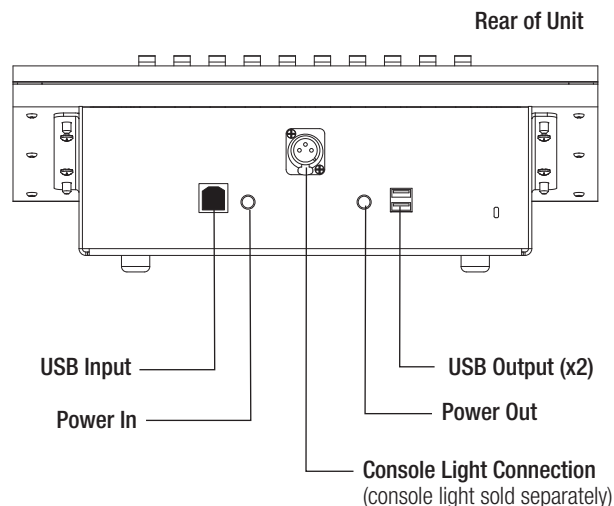
SPECIFICATION SUBMITTAL

CONSULTANT: <input type="text"/>	PROJECT NAME: <input type="text"/>	MODEL NUMBER QUANTITY: <input type="text"/> <input type="text"/> <input type="text"/> <input type="text"/> <input type="text"/> <input type="text"/>
DATE: <input type="text"/>	PROJECT NUMBER: <input type="text"/>	APPROVED BY: <input type="text"/>

Dimensions



Connections



NOTE: NEO Playback Wing shown. Dimensions and connections are same for all models.

Technical Specifications

Electrical

Supply Voltage: 12VDC, 3 Amps (from console connection)
Approvals: cETLus, CE, C-Tick

Mechanical

Construction: High Density and Impact Resistant Aluminum and Plastics
Operating Temperature: 0° to 40°C ambient (32° to 104°F)
Humidity: 0% - 95% non-condensing
Storage Temperature: 0° to 35°C (32° to 95°F)
Weight: 12.25 lbs (5.55 kgs) - Wing Only (no accessories)

Connections / Ports

- 1 Accessory Power Input
- 1 Accessory Power Output
- 1 USB 2.0 Input Connector (Type B)
- 2 USB 2.0 Output Connector (Type A)
- 1 3-pin XLR port (12 Volt) for Console Light (console light sold separately)



Ordering Information

Cat. No. Description

NEO Playback & Submaster Wings

- 91004** NEO Console Submaster Wing
- 91005** NEO Console Playback Wing

Accessories

- 66219** Console Light
- 91009** External Power Supply (only needed if not powering wing via the NEO console)
- 91010** Replacement 1.5 Meter Power Cable

Includes: Each NEO Fader Wing includes a Wing Dust Cover, USB Cable (1.5 meter), Power Cable (1.5 meter), and quick start guide.

Philips Strand Lighting

Dallas

10911 Petal Street
Dallas, TX 75238
Tel: +1 (214) 647-7880
Fax: +1 (214) 647-8031

Auckland

19-21 Kawana Street
Northcote, Auckland 0627
New Zealand
Tel: + 64 9 481 0100
Fax: + 64 9 481 0101

www.strandlighting.com

© Philips Group 2015
All rights reserved.
The Company reserves the right to make any variation in design or construction to the equipment described. E&OE

Asia

Unit C, 14/F,
Roxy Industrial Centre
No. 41-49 Kwai Cheong Road
Kwai Chung, N.T., Hong Kong
Tel: + 852-2796-9786
Fax: + 852-2798-6545

Europe

European Service & Distribution Centre
Rondweg zuid 85
Winterswijk 7102 JD
the Netherlands
Tel: +31 (0) 543-542516