

ETC Installation Guide

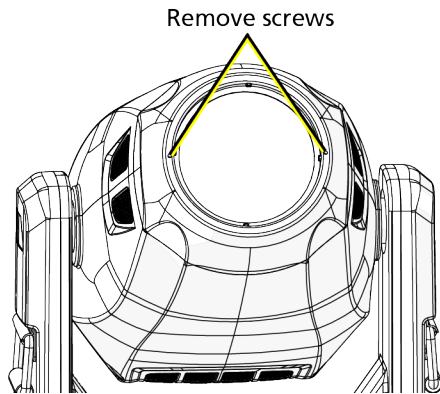
High End Systems Lonestar Snoot Accessory

Congratulations on your purchase of the Lonestar snoot accessory (ETC part number 2550A1020).

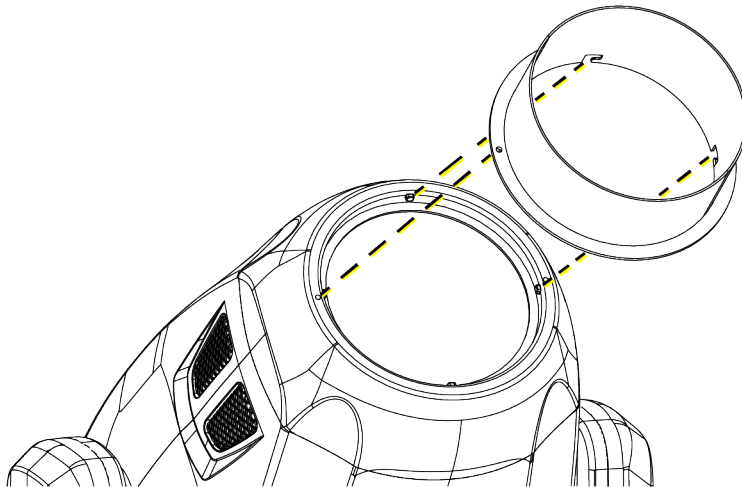
Review the *Lonestar User Manual* to familiarize yourself with the fixture before you install the snoot accessory. ETC High End Systems product documentation is available for download free of charge from the ETC website: etcconnect.com/Products/High-End-Systems.

Installation

1. Disconnect power to the fixture.
2. Place the fixture on its base and lock the pan and tilt locks.
3. Use a #1 Philips screwdriver to remove the two screws from the bezel. Set these screws aside for use later in this procedure.



4. Insert the snoot into the bezel.
 - a. Orient the snoot so that the two holes in the base of the snoot align with the two screw holes in the bezel.
 - b. Align the four slots in the base of the snoot with the four tabs on the bezel.



5. Twist the snoot counterclockwise to lock it onto the fixture.
6. Reattach the two screws to secure the snoot to the fixture.



Corporate Headquarters ■ Middleton, WI, USA | +1 608 831 4116
Global Offices ■ London, UK | Rome, IT | Holzkirchen, DE | Paris, FR | Hong Kong | Dubai, UAE | Singapore
New York, NY | Orlando, FL | Los Angeles, CA | Austin, TX

Web etcconnect.com | **Support** support.etcconnect.com | **Contact** etcconnect.com/contactETC

© 2021 Electronic Theatre Controls, Inc. | Trademark and patent info: etcconnect.com/ip
Product information and specifications subject to change. ETC intends this document to be provided in its entirety.
2550M2100 Rev A Released 2021-08