

**PHILIPS**

# Strand Lighting

## Light Pack

IGBT Dimming Module - 120v



750W & 1200W Models

## Strand Lighting Offices

### Strand Lighting - Dallas

10911 Petal Street  
Dallas, TX 75238  
Tel: 214-647-7880  
Fax: 214-647-8031

### Strand Lighting - New York

267 5th Ave, 4th Floor  
New York, NY 10016  
Tel: 212-213-8219  
Fax: 212-532-2593

### Strand Lighting - Asia Limited

Room 6-10, 20/F Delta House 3 On Yiu Street  
Shatin, N.T. Hong Kong  
Tel: + 852 2757 3033  
Fax: + 852 2757 1767

### Strand Selecon - Auckland

19-21 Kawana Street  
Northcote, Auckland 0627  
New Zealand  
Tel: +64 9 481 0100  
Fax: +64 9 481 0101

### Strand Lighting - Europe

Marssteden 152  
Enschede 7547 TD  
The Netherlands  
Tel: +31 53 4500424  
Fax: +31 53 4500425

### Website:

[www.strandlighting.com](http://www.strandlighting.com)

The material in this manual is for information purposes only and is subject to change without notice. Strand Lighting assumes no responsibility for any errors or omissions which may appear in this manual. For comments and suggestions regarding corrections and/or updates to this manual, please contact your nearest Strand Lighting office.

El contenido de este manual es solamente para información y está sujeto a cambios sin previo aviso. Strand Lighting no asume responsabilidad por errores o omisiones que puedan aparecer. Cualquier comentario, sugerencia o corrección con respecto a este manual, favor de dirigirlo a la oficina de Strand Lighting más cercana.

Der Inhalt dieses Handbuchs ist nur für Informationszwecke gedacht, Änderungen sind vorbehalten. Strand Lighting uebernimmt keine Verantwortung für Fehler oder Irrtuemer, die in diesem Handbuch auftreten. Für Bemerkungen und Verbesserungsvorschlaege oder Vorschlaege in Bezug auf Korrekturen und/oder Aktualisierungen in diesem Handbuch, moechten wir Sie bitten, Kontakt mit der naechsten Strand Lighting-Niederlassung aufzunehmen.

Le matériel décrit dans ce manuel est pour information seulement et est sujet à changements sans préavis. La compagnie Strand Lighting n'assume aucune responsabilité sur toute erreur ou omission inscrite dans ce manuel. Pour tous commentaires ou suggestions concernant des corrections et/ou les mises à jour de ce manuel, veuillez s'il vous plait contacter le bureau de Strand Lighting le plus proche.

Information contained in this document may not be duplicated in full or in part by any person without prior written approval of Strand Lighting. Its sole purpose is to provide the user with conceptual information on the equipment mentioned. The use of this document for all other purposes is specifically prohibited.

Document Number: 2-450331-010

Version as of: 15 July 2011

Light Pack 120v Dimming Module Installation & Operation Guide

©2011 Philips Group. All rights reserved.

## Important Safeguards

When using electrical equipment, basic safety precautions should always be followed including the following:



- a. **READ AND FOLLOW ALL SAFETY INSTRUCTIONS.**
- b. Do not use outdoors.
- c. Do not mount near gas or electric heaters.
- d. Equipment should be mounted in locations and at heights where it will not readily be subjected to tampering by unauthorized personnel.
- e. The use of accessory equipment not recommended by the manufacturer may cause an unsafe condition.
- f. Do not use this equipment for other than intended use.
- g. Refer service to qualified personnel.

**SAVE THESE INSTRUCTIONS.**



**WARNING:** You must have access to a main circuit breaker or other power disconnect device before installing any wiring. Be sure that power is disconnected by removing fuses or turning the main circuit breaker off before installation. Installing the device with power on may expose you to dangerous voltage and damage the device. A qualified electrician must perform this installation.

**WARNING:** Refer to National Electrical Code® and local codes for cable specifications. Failure to use proper cable can result in damage to equipment or danger to persons.

**WARNING:** To reduce the risk of fire or shock hazard, do not expose this equipment to rain or moisture.

## TABLE OF CONTENTS

---

Strand Lighting Offices.....	Inside Front Cover
Important Safeguards .....	1
Table of Contents .....	2
Preface .....	3
About this Guide .....	3
About the Light Pack Dimming Module .....	4
Installation .....	5
Yoke Mount .....	5
Wall Mount .....	5
Pipe Mount.....	5
Connecting Power .....	6
Connecting Data .....	6
Setting Mode and Address .....	7
Effects .....	8
Intelligent Effects Network.....	8
Operation .....	9
Specifications .....	10
Catalog Number Reference .....	11
Light Pack 120v Modules.....	11
Light Pack 120v Module Accessories.....	11

## PREFACE

---

### About this Guide

The document provides installation and operation instructions for the following products:

- Light Pack 120v Dimming Module - 750 watt
- Light Pack 120v Dimming Module - 1200 watt

Please read all instructions before installing or using this product. *Retain this guide for future reference.*



### **IMPORTANT INFORMATION. PLEASE READ!**

This unit is intended for installation in accordance with the National Electric Code® and local regulations. It is also intended for indoor applications only. Before any electrical work is performed, disconnect power at the circuit breaker or remove the fuse to avoid shock or damage to the control. It is recommended that a qualified electrician perform this installation.

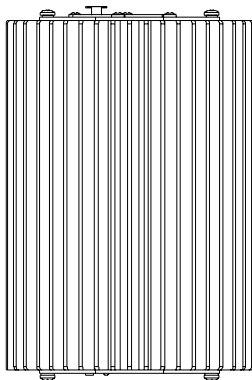
Observe the following precautions when installing, operating or servicing the product:

- Disconnect power before servicing.
- Install in dry locations only.
- DO NOT power module from a dimmed source. Connect to standard power or mechanical relay ONLY.
- Use the included safety cable for ALL installations.
- If installing any other type of mounting hardware or bracket, DO NOT use screws longer than 1/4" in length. Longer screws WILL damage interior electrical components.

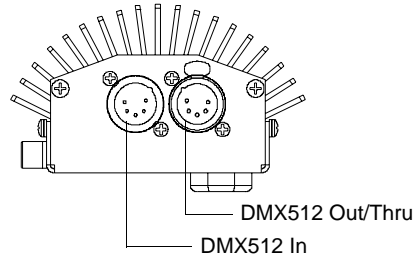
## ABOUT THE LIGHT PACK DIMMING MODULE

The Light Pack dimming module utilizes state-of-the-art Insulated Gate Bipolar Transistor (IGBT) technology, which provides significant performance enhancements over other conventional dimming equipment. The module is completely solid-state, enabling silent operation at 800 microseconds in either forward or reverse phase control, which minimizes lamp, ballast and transformer noise. The module supports LOW HARM mode, which controls harmonic neutral currents for extremely quiet operation and low neutral harmonics. As well, every Light Pack module has an on-board intelligent microprocessor, which adjusts and maintains proper voltage and current in response to changes detected in the load and electrical service. The microprocessor automatically suppresses surges, protects against dead shorts, and extends lamp life.

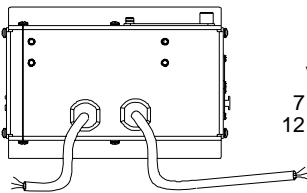
The 750 watt and 1200 watt versions of the Light Pack module can be easily identified by the label applied to the underside of the module *or* the label next to the Focus button.



TOP VIEW

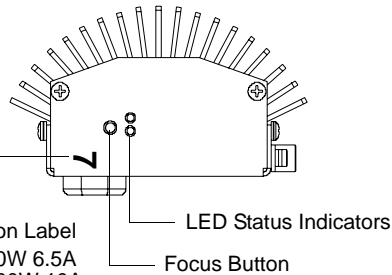


DMX512 Out/Thru  
DMX512 In



18" Pigtail \*  
Power Out (to fixture)

36" Pigtail \*  
Power In (to module)



Version Label  
7 = 750W 6.5A  
12 = 1200W 10A

LED Status Indicators  
Focus Button

\* Pre-installed connector is optional.

## INSTALLATION

The Light Pack module can be mounted in a variety of configurations. Depending on your requirements, choose one of the methods shown below. The Light Pack module can be mounted vertically (recommended) or horizontally as required, however, to allow for optimum convection cooling, the module cannot be mounted with the heatsink fins downward.

Incorrect

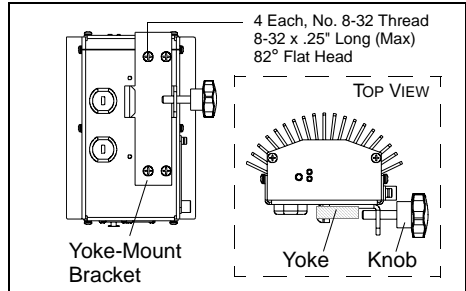


**WARNING:** A safety cable is supplied with the Yoke and Pipe mounts. The safety cable must be secured to the fixture or structure and may be required by local codes.

### Yoke Mount

(Strand #71340) \*\*

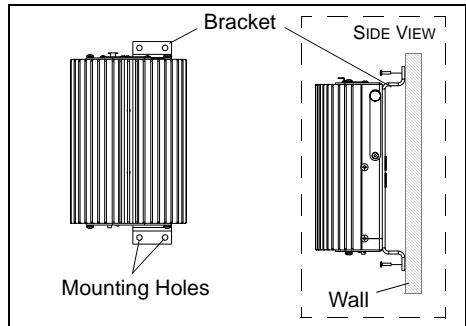
- Step 1. Attach yoke-mount bracket to Light Pack module (as required).
- Step 2. Fit bracket onto fixture yoke.
- Step 3. Tighten threaded attachment knob to secure in place.
- Step 4. Attach safety cable.



### Wall Mount

(Strand #71341) \*\*

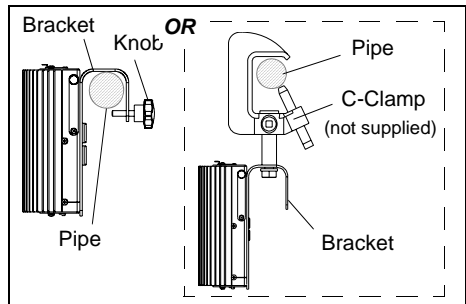
- Step 1. Attach wall-mount bracket to Light Pack module (as required).
- Step 2. At wall, locate suitable installation position.
- Step 3. Using Light Pack mounting bracket as template, mark holes for drilling.
- Step 4. Drill mounting holes and secure Light Pack module to wall.



### Pipe Mount

(Strand #71342) \*\*

- Step 1. Attach threaded knob or C-clamp (not supplied) to Light Pack mounting bracket (as required).
- Step 2. Fit bracket over pipe\*.
- Step 3. Tighten knob (or clamp) to secure in place.
- Step 4. Attach safety cable.

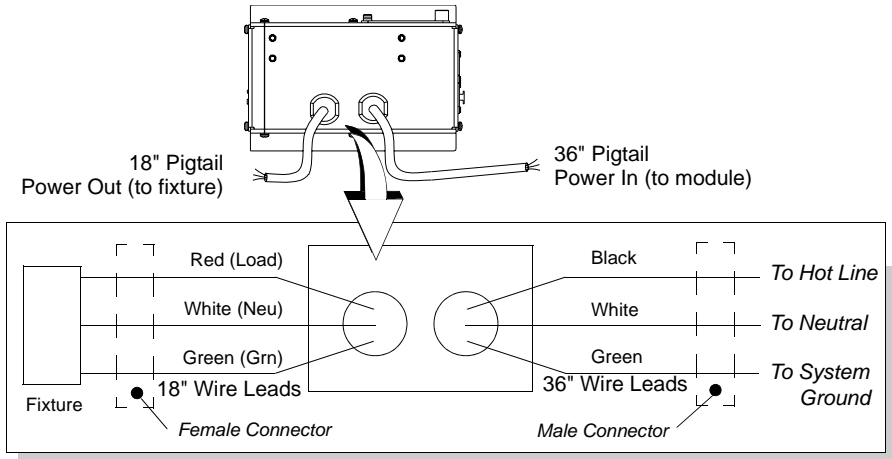


\* Mounts to 1.5" schedule 40 pipe or 2" aluminum tube truss.

\*\* Installation of mounting bracket must be done using the (4) supplied screws. Using other screws can result in damage to the unit. Supplied screws are 8-32 x .25" long (max) 82° flat head.

## CONNECTING POWER

The Light Pack module is supplied with two pigtail type cables. In the event your module did not come pre-configured with power connectors, install connectors meeting your requirements at end of each cable. Refer to the following color code diagram:



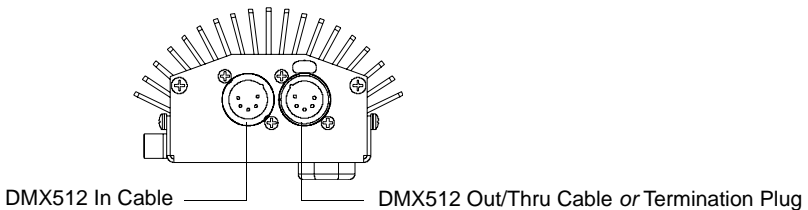
**WARNING:** DO NOT power module from a dimmed source. Connect to standard power or mechanical relay **ONLY**.

Connect the 18" pigtail to the fixture and the 36" pigtail to the system power source. (The Light Pack module will power up when the system power source is applied.)

Light Pack is rated to control any dimmable load - incandescent, fluorescent, or general inductive (Forward Phase Control [FPC] only).

## CONNECTING DATA

The Light Pack module supports standard USITT DMX512/1990 protocol. Connect data cabling as follows:



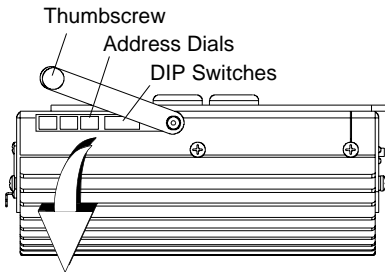
A termination plug (Strand # 71346) is required at the last module in the data link.



# SETTING MODE AND ADDRESS

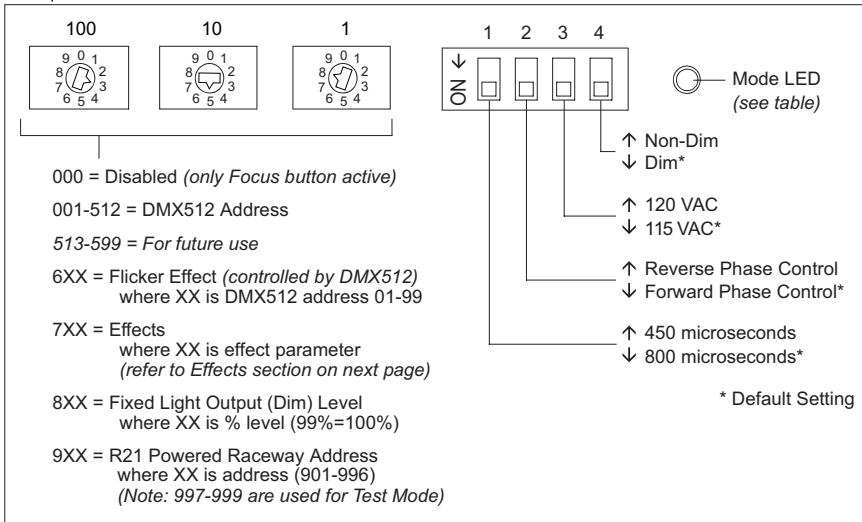
Light Pack operating parameters, such as input/output modes and DMX512 addresses, can be easily configured to meet your requirements using the switches located inside the recess panel. The standard DIP switches configure input/output modes, while three rotary switches configure address and effects settings by providing three numerical dials: 100's, 10's and 1's digits respectively.

For example, to set a DMX512 address (slot) of 355, you would set the 100's dial to "3", the 10's dial to "5", and the 1's dial to "5". To configure the input/output modes, set each of the four standard DIP switches to either the ON or OFF setting. This toggles between two presets such as Non-Dim or Dim.



### To access Dials and DIP Switches:

- Step 1. At side of module, locate recess panel.
- Step 2. Loosen thumbscrew and rotate cover.
- Step 3. Using #0 (small) flat head screwdriver, set dials as required. Refer to diagram below.



The **Mode LED**, located next to the DIP switch, indicates the following conditions:

LED Flashing Status	Condition
Rapid blink	Invalid address setting
One blink On - delay	Valid DMX512 address
Two blinks On - delay	Valid DMX512 address and receiving DMX512
Slow blink	Effects address setting
One blink Off - delay	Valid Powered Raceway address
Two blinks Off - delay	Valid R21 Raceway address and receiving R21 data

## EFFECTS

When set to 7XX, the rotary DIP switch settings can be used to create simple effects without DMX control. Effect parameters can be set as follows:

Dial Settings	Effect	Description
70X - where X is ramp time	Bounce Up	ramp up, instant off (100% intensity)
71X - where X is ramp time	Bounce Down	instant on, ramp down (100% intensity)
72X - where X is ramp time	Saw Tooth	ramps up, ramps down
73X - where X is toggle time	Bump	50% on/off toggle
74X - where X is time off	Blink On	12% on, 88% off
75X - where X is time on	Blink Off	12% off, 88% on
76X - where X is speed	Strobe	variable speed strobe
77X - where X is lamp intensity	Flame Flicker	random flicker and intensity
78X - where X is rate	Bell Curve	ramps up, holds, ramps down
79X	<i>for future use</i>	n/a

## Intelligent Effects Network

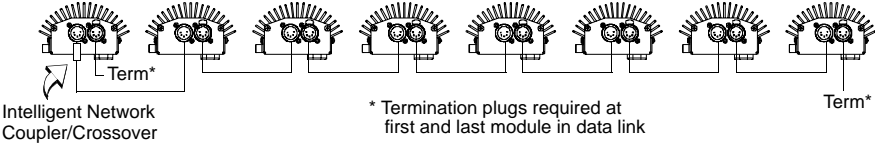
Effects can be synchronized across a network of Light Pack modules to create chase, runway and wave sequences. For this purpose, eight unique phase shifts are output from the first module in the data link, transmitting on DMX512 addresses 002-008. To utilize this feature, an Intelligent Effects Network Coupler (Strand Lighting Part Number 71347) will be required at the first module in the link.

**To create effects using the Intelligent Effects Network, do the following:**

- Step 1. Using data cables, connect Light Pack modules as shown below. At first module data input, install Intelligent Effects Network Coupler. At first and last module, install DMX512 termination plug (Strand Lighting Part Number 71346).
- Step 2. The first Light Pack module's address (slot) will automatically be considered as 001. Set subsequent module addresses to any number between 002 and 008. These can be in numerical order or out of sequence. The address setting will determine the delay and execution order of the effect at that particular module.
- Step 3. At first module, using rotary dials, set to desired effect (7XX).
- Step 4. Apply power. Effect will execute across network.
- Step 5. Adjust address settings to vary effect execution as required.

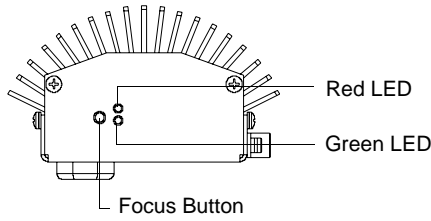
**Intelligent Effects Network - Up to 64 Light Pack Modules**

Example Address Settings	001	002	003	004	005	006	007	008
	001	008	002	007	003	006	004	005
	001	003	005	007	002	004	006	008



**OPERATION**

The Light Pack module provides two LED status indicators and a Focus button.



The **LED indicators** report operating conditions as follows:

Red LED	Green LED	Condition
Off	Off	Normal
Off	Flashing	No Load
Off	On	Focus Mode (controlled at dimmer)
Flashing (1.5 sec on, .5 off)	Off	Oversized Load or Overload
Flashing (.5 sec on, .5 off)	Off	Over Temperature
On	Off	No communications
Flashing	Flashing	Over Voltage
On	On	No Communications / In Focus Mode

The **Focus button** can be used to quickly set the output level or test the module.

- If the module is off, a tap on the button will take it to full on.
- If the module is on, a tap will turn it off.
- Whether on or off, pressing and holding the button will ramp up the intensity level. Releasing the button will hold the setting at an intermediate level.

Fixtures turned on in this fashion will remain on until a control console sets a non-zero level for the module. The module's level setting will be cancelled and it will now follow console control. If the module is already set to a non-zero level by the console, the button becomes a "Flash-to-Full" control, overriding the level only while the button is pressed.

## SPECIFICATIONS

Number of Dimmers:	1 IGBT Intelligent Dimmer	Ambient Temperature:	0° to 50° C
Max Output Voltage:	120 VAC	Relative Humidity:	5% to 95%, non condensing
Min./Max Dimmer Load:	Min. 1 Watt, Max. 750 or 1200 Watts*	Cooling Method:	Natural Convection
Transition Time:	450 or 800 microseconds (user selectable)	Height:	6.82"
Insertion Loss:	Max. 1.5 Volts (2%)	Width:	4.53"
Supply:	120 Volts AC, 6.5A or 10A per module*	Depth:	2.93" (750 Watt) 3.18" (1200 Watt)
Frequency:	50 / 60 Hz	Weight:	2.0 lbs.
Control Connections:	USITT DMX512/1990 In (D5M) / Out/Thru (D5F)	Power In Feed:	36" Pigtail provided from module is 3-#14 AWG
Circuit Protection:	Internal Short Circuit & Thermal Protection	Power Out Feed:	18" Pigtail provided from module is 3-#14 AWG
Load Control:	Any dimmable load - incandescent, fluores- cent, or general inductive ( <i>Forward Phase Control only</i> )	DMX512 Data Link Load	Represent 1/4 ETA 485 Unit Load

\* Depends on model



## CATALOG NUMBER REFERENCE

---

### Light Pack 120v Modules

Strand P/N	Description
71300	Light Pack 750 watt, Bare Leads
71301	Light Pack 750 watt, with GP connectors
71302	Light Pack 750 watt, with GTL connectors
71303	Light Pack 750 watt, with GR connectors
71310	Light Pack 1200 watt, Bare Leads
71311	Light Pack 1200 watt, with GP Connectors
71312	Light Pack 1200 watt, with GTL connectors
71313	Light Pack 1200 watt, with GR connectors

### Light Pack 120v Module Accessories

The following accessories are sold separately and available through your local Authorized Strand Lighting dealer. For the dealer in your area or for more information on Light Pack Modules and accessories, visit the Strand Lighting web site at [www.strandlighting.com](http://www.strandlighting.com).

Strand P/N	Description
71340	Yoke Mount Bracket
71341	Wall Mount Bracket
71342	Pipe Mount Bracket
71345	Network Coupler - 5 pin Female to Female Turnaround
71346	DMX512 Terminator

## NOTES

---

## NOTES

---

**PHILIPS**

# Strand Lighting

Strand Lighting  
Dallas  
10911 Petal Street  
Dallas, TX 75238  
Tel: 214-647-7880  
Fax: 214-647-8031

Strand Lighting  
New York  
267 5th Ave, 4th Floor  
New York, NY 10016  
Tel: 212-213-8219  
Fax: 212-532-2593

Strand Lighting Asia Limited  
Room 6-10,  
20/F Delta House 3 On Yiu Street  
Shatin, N.T. Hong Kong  
Tel: + 852 2757 3033  
Fax: + 852 2757 1767

Strand Selecon  
Auckland  
19-21 Kawana Street  
Northcote, Auckland 0627  
New Zealand  
Tel: +64 9 481 0100  
Fax: +64 9 481 0101

Strand Lighting  
Europe  
Marssteden 152  
Enschede 7547 TD  
The Netherlands  
Tel: +31 53 4500424  
Fax: +31 53 4500425

[www.strandlighting.com](http://www.strandlighting.com)

Part No. 2-450331-010