

Irideon Series



Irideon WLZ with OneTrack adapter not pictured

Type(s)
Project
Date
Notes

GENERAL INFORMATION

The Irideon WLZ is an LED wash light with zoom optics that provide the highest quality beam from spot to full flood, making it ideal for museums, lobbies, retail stores, and more. A range of color temperature options from 2700 K to 5000 K make the WLZ well suited for any application, while track, canopy, and portable mounting options provide the flexibility to meet any installation’s needs. The soft beam output supports an optional barn door and provides high-performance dimming utilizing an onboard dimmer or DMX control; canopy versions also support 0–10 V or DALI.

APPLICATIONS

- Museums
- Retail stores
- Restaurants
- Hospitality/Lobbies
- Theatres

POWER INPUT OPTIONS

MODEL	100–120 VAC	230–240 VAC	120–277 VAC	F-DRIVE CC150
Portable	X	X		X
OneTrack by ETC	X			
DataTrack**	X	X		
Canopy			X	X

FEATURES

- Rugged fixture body
- 9°–78° zoom optics
- Uniquely efficient optical system
- Integrated media holder
- F-Drive compatible versions available
- DMX control with built-in intensity trim feature
- DALI or 0–10 V control option for canopy version
- Dimming to less than 1% of maximum output

ORDERING INFORMATION

Irideon WLZ

MODEL	COLOR TEMP	CRI	VOLTAGE	MOUNTING	CONTROL	COLOR
IRWLZ - Irideon WLZ	27 - 2700 K 30 - 3000 K 40 - 4000 K 50 - 5000 K	80 - Standard 90 - Gallery -Gallery available with 2700 K and 3000 K options. -Standard available in 3000 K, 4000 K and 5000 K options	120 - 120 V 230 - 230 V FD - F-Drive Compatible	OT - OneTrack* T - DataTrack / EUTRAC** C - Canopy P - Portable PU - Portable (UK 13 A Plug) PE - Portable (EU Schuko Plug) -F-Drive compatible available in C and P only. -120-P comes with an Edison Plug.	DMX - DMX DALI - DALI 010 - 0–10 V (Blank) - F-Drive compatible -0–10 V only available with Canopy option -DALI only available in Canopy	BLANK - Black 1 - White 8 - Custom

To complete the form, simply select an option at the bottom of each column to populate the last row with your desired model number.

*OneTrack available in 120 V only.

**Please use our new and improved OneTrack for all new installations. DataTrack luminaires are intended for legacy installations only.



PRODUCT SPECIFICATIONS

Source

LED details	Lumileds 1204HD
Max field lumens	1,677
Lumens per watt	75.2
L70 rating (hours to 70% output)	46,000 hours

Color

Colors used	White
Color temperature options	2700 K / 3000 K / 4000 K / 5000 K
Calibrated array	No
Red shift	No

Optical

Beam angle range	9°–78°
Pattern projection	No
Front magnetic media holder	Accommodates 69 mm (2.72 in) diameter color media, diffusion or glass with a maximum thickness of 1.75 mm
Camera flicker control/Hz range	1.2 kHz (standard) 25 kHz (DMX version only-set via RDM)
Notes	Optional barn-door accessory available

Electrical

Voltage range	100–120 V 50/60 Hz (Portable/Track) 230–240 V 50/60 Hz (Portable/Track) 120–277 V 50/60 Hz (Canopy) 24 VDC 450 mA (F-Drive)
Power cord length (portable variant only)	190 cm (75 in)
Control input options	DMX - Portable, 120 V OneTrack, Canopy 0–10 V - Canopy only DALI - Canopy only F-Drive - Canopy and Portable only
Track adapter (Track variant only)	120 V - OneTrack or DataTrack 230 V - OneTrack or EUTRAC 3-circuit + Data bus
Wattage typical/standby	20 W typical, 24 W max
Inrush (first half-cycle) with DMX variant	120 V - 11 A 240 V - 24 A 277 V - 28 A
Inrush (first half-cycle) with 0–10V or DALI variant	120 V - 2 A 240 V - 5 A 277 V - 6 A
Fixtures per circuit with DMX variant	45 fixtures (R20 module or similar)
Fixtures per circuit with 0–10V or DALI variant	90 fixtures (R20 module or similar)
Fixtures per F-Drive output	4 fixtures, individually controlled

Control

Protocols	DMX - Portable, Track, Canopy 0–10 V - Canopy only DALI - Canopy only
RDM configuration	Yes (DMX version only)
UI type	Rotary Pots (DMX version only)
Local control	On Track and DMX Portable versions only

Thermal

Ambient operating temp	0°–40° C (32°–104° F)
Fan (controllable)	No fan
dB range	N/A
BTUs/hour	68.24 typical, 81.88 max

Physical

Materials	Die-cast aluminum (A380 grade)
Color options	Black, white, or custom color
Mounting options	OneTrack, DataTrack, Portable, Canopy
IP rating	IP20
Weight	Track Mount: 1.47 kg (3.25 lb) Portable: 1.93 kg (4.25 lb) Canopy: 1.47 kg (3.25 lb)
Included accessories (portable only)	Magnetic media holder
Included accessories (DMX canopy only)	DMX connector kit Magnetic media holder
Notes	Tool-free beam adjustment Thermally insulated knobs and shutter handles

Warranty

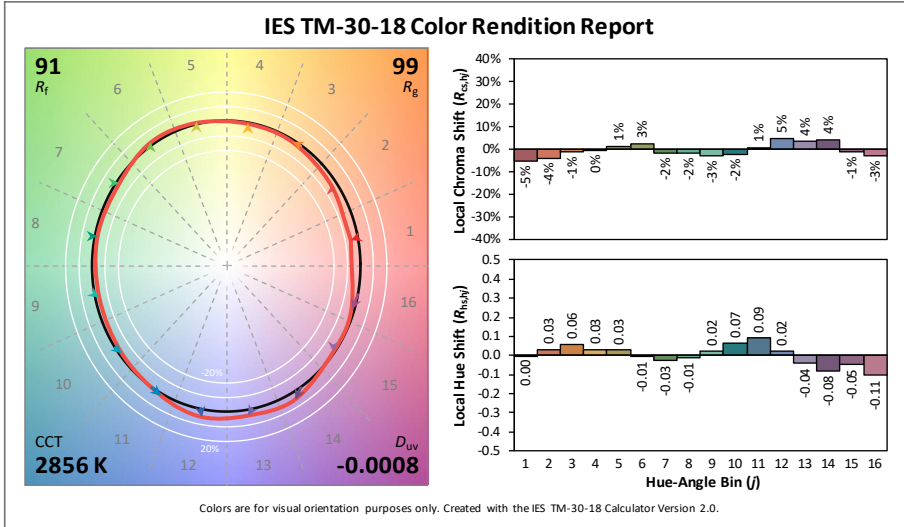
Fixture	5 years
LED array	10 years

Approved Regulatory Standards

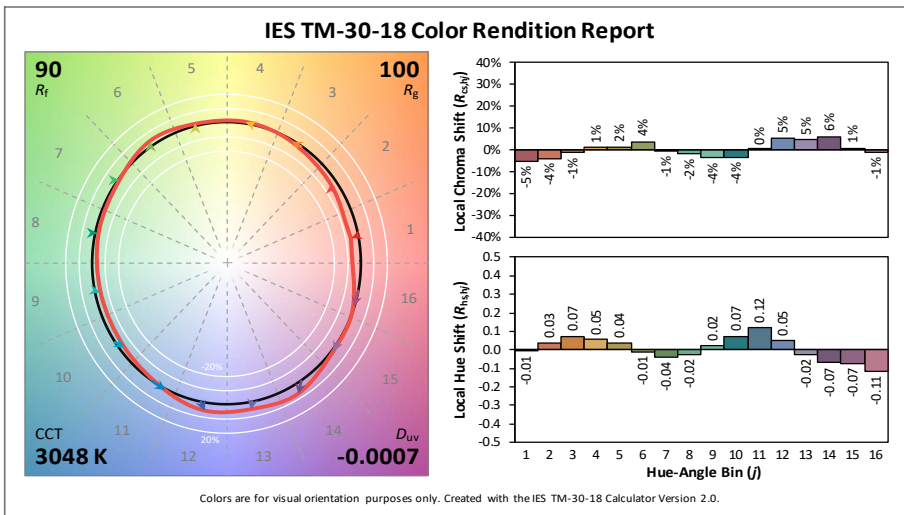
All versions	cETLus Listed CE Compliant UKCA Compliant
Portable version (including F-Drive and standard)	Conforms to ANSI/UL STD.153 Certified to CSA STD. C22.2 No: 250.4
Track version	Conforms to ANSI/UL STD.1574 Certified to CSA STD. C22.2 No: 9.0
Canopy version	Conforms to ANSI/UL STD.1598 Certified to CSA STD. C22.2 No: 250
F-Drive Canopy version	Conforms to ANSI/UL STD.2108 Certified to CSA STD. C22.2 No. 250.2

COLOR METRIC INFORMATION

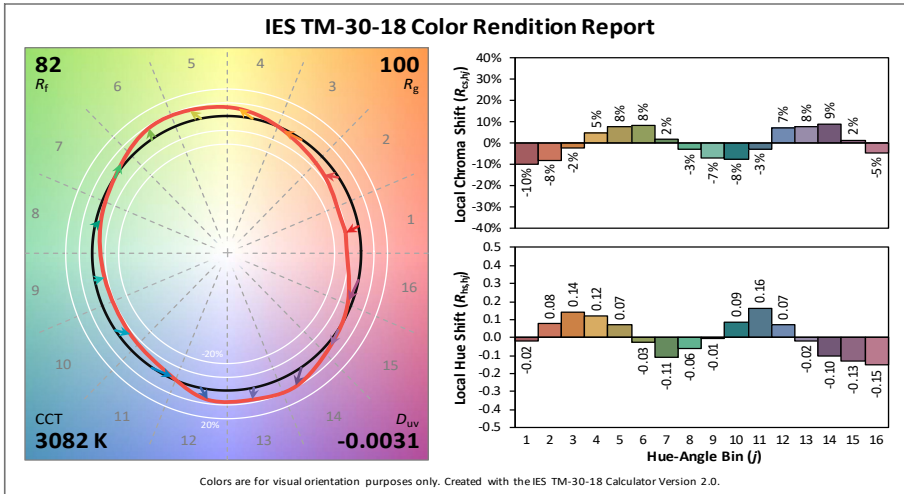
Irideon 2700 K Gallery (90 CRI) TM-30-18



Irideon 3000 K Gallery (90 CRI) TM-30-18

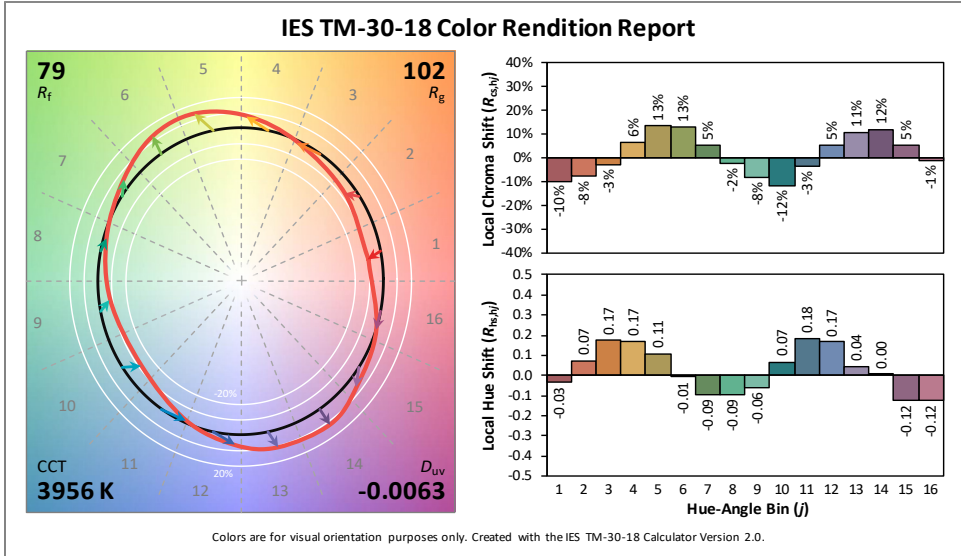


Irideon 3000 K (80 CRI) TM-30-18

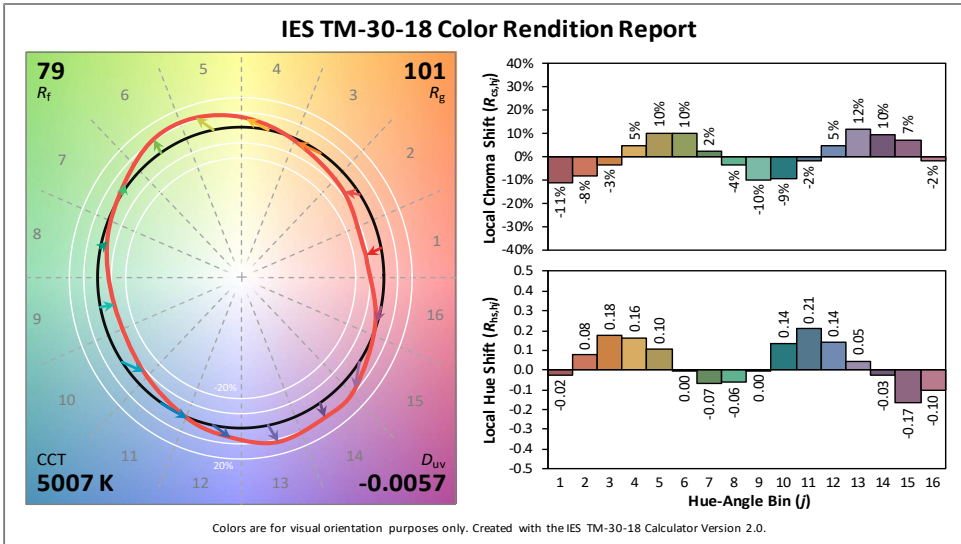


COLOR METRIC INFORMATION

Irideon 4000 K Gallery (80 CRI) TM-30-18



Irideon 5000 K Gallery (80 CRI) TM-30-18



PHOTOMETRY INFORMATION

Array	Focus	Candela	Delivered Lumens	Field Lumens	Beam Lumens	Power Consumption	Efficacy (lpw)
2700 K / 90 CRI	Narrow	11,918	456	404	228	22.3	20.4
2700 K / 90 CRI	Mid	3,488	887	818	614	22.3	39.7
2700 K / 90 CRI	Flood	1,000	1,251	1,187	1,048	22.3	56.1

3000 K / 90 CRI	Narrow	13,363	512	453	256	22.3	22.9
3000 K / 90 CRI	Mid	3,914	996	918	689	22.3	44.6
3000 K / 90 CRI	Flood	1,146	1,409	1,333	1,175	22.3	63.2

3000 K / 80 CRI	Narrow	15,223	583	516	292	22.3	26.1
3000 K / 80 CRI	Mid	4,460	1,135	1,046	785	22.3	50.9
3000 K / 80 CRI	Flood	1,305	1,605	1,518	1,338	22.3	72.0

4000 K / 80 CRI	Narrow	15,282	585	518	293	22.3	26.1
4000 K / 80 CRI	Mid	4,477	1,139	1,050	788	22.3	51.1
4000 K / 80 CRI	Flood	1,302	1,608	1,524	1,334	22.3	72.1

5000 K / 80 CRI	Narrow	16,019	614	543	307	22.3	27.5
5000 K / 80 CRI	Mid	4,691	1,193	1,100	826	22.3	53.5
5000 K / 80 CRI	Flood	1,312	1,677	1,597	1,415	22.3	75.2

ACCESSORIES

MODEL	ACCESSORY
HW7450	Irideon Clamp Black
HW7450-1	Irideon Clamp White
4MCC	C-Clamp, Black
IRWLZ-BD	Irideon WLZ Barn Door Black
IRWLZ-BD-1	Irideon WLZ Barn Door White

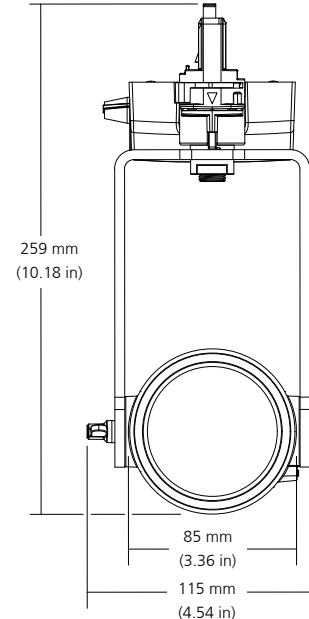
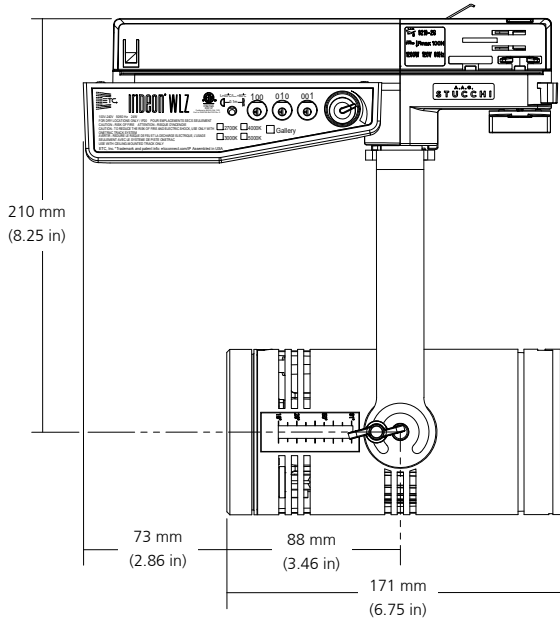
Irideon WLZ portable comes with no clamps included. Please choose from the above clamps if one is required.

PHYSICAL

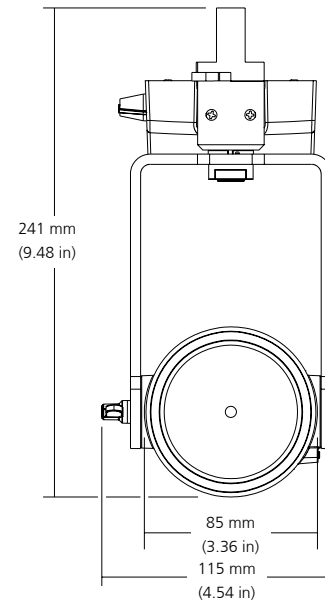
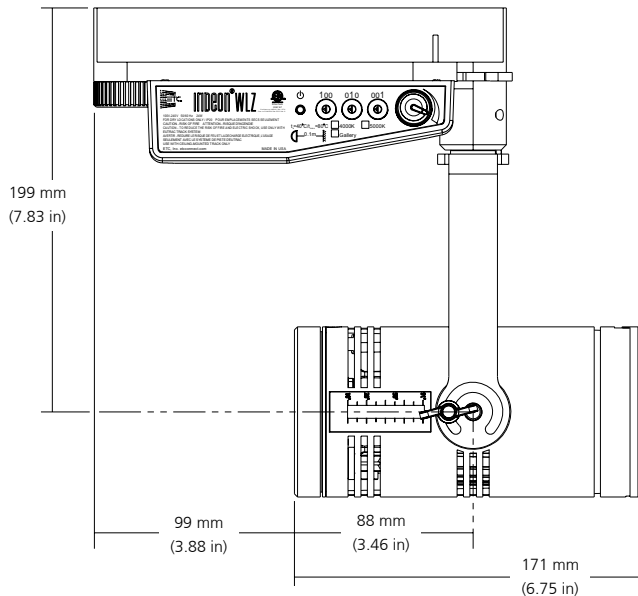
WLZ Dimensions

	HEIGHT		WIDTH		DEPTH		WEIGHT		SHIPPING WEIGHT	
	in	mm	in	mm	in	mm	lb	kg	lb	kg
OneTrack by ETC	11.77	299	5.18	132	14.11	358	3.25	1.47	4.25	1.93
DataTrack / EUTRAC Mount	11.08	281	5.18	132	14.11	358	3.25	1.47	4.25	1.93
Portable	13.62	346	5.18	132	11.14	283	4.25	1.93	5.25	2.38
Canopy	10.41	264	5.18	132	11.14	283	3.25	1.47	4.25	1.93
F-Drive Portable	13.62	346	5.18	132	11.14	283	3.14	1.43	5.13	2.33
F-Drive Canopy	7.28	185	5.18	132	11.14	283	3.80	1.72	6.29	2.85

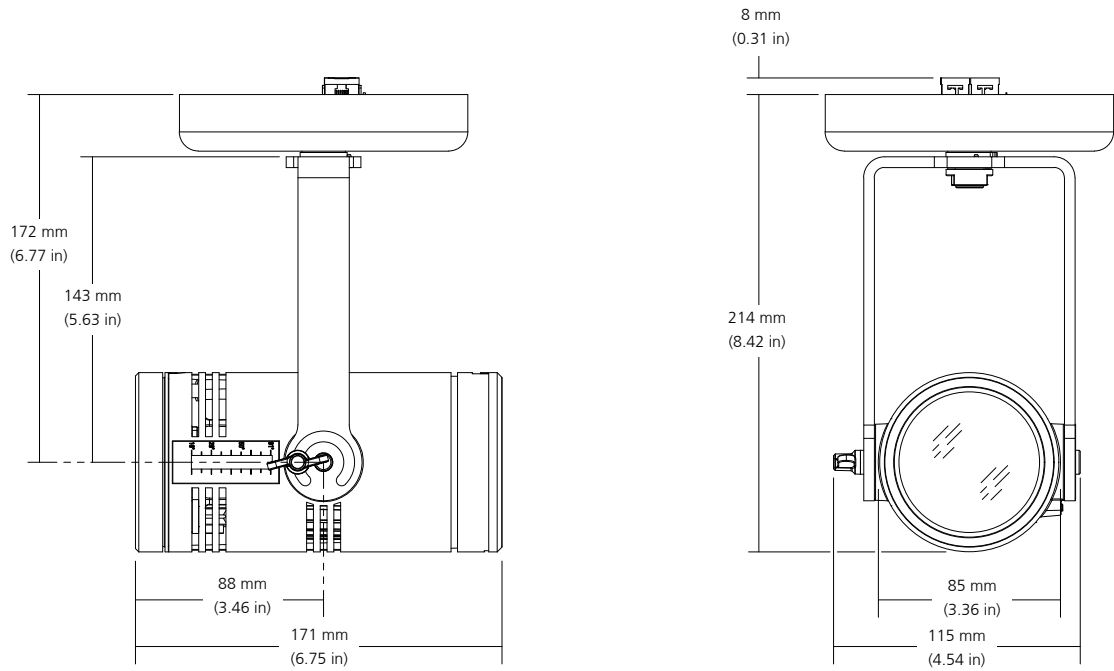
IRIDEON WLZ ONETRACK MOUNT



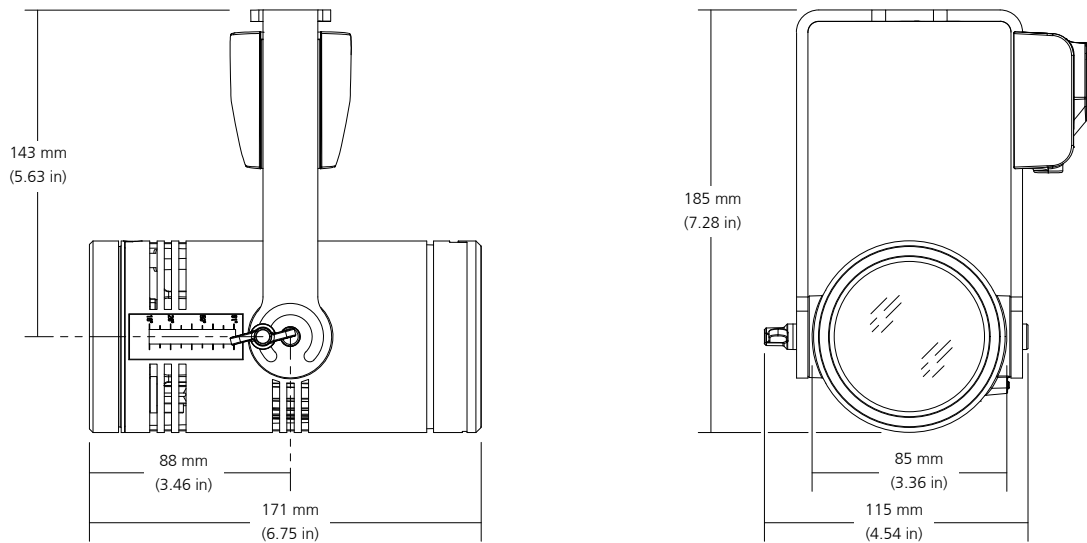
IRIDEON WLZ DATATRACK MOUNT



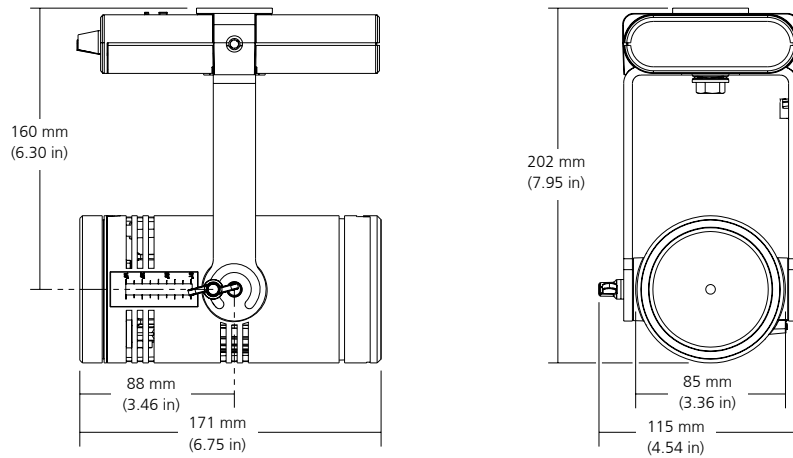
IRIDEON WLZ CANOPY- F-DRIVE



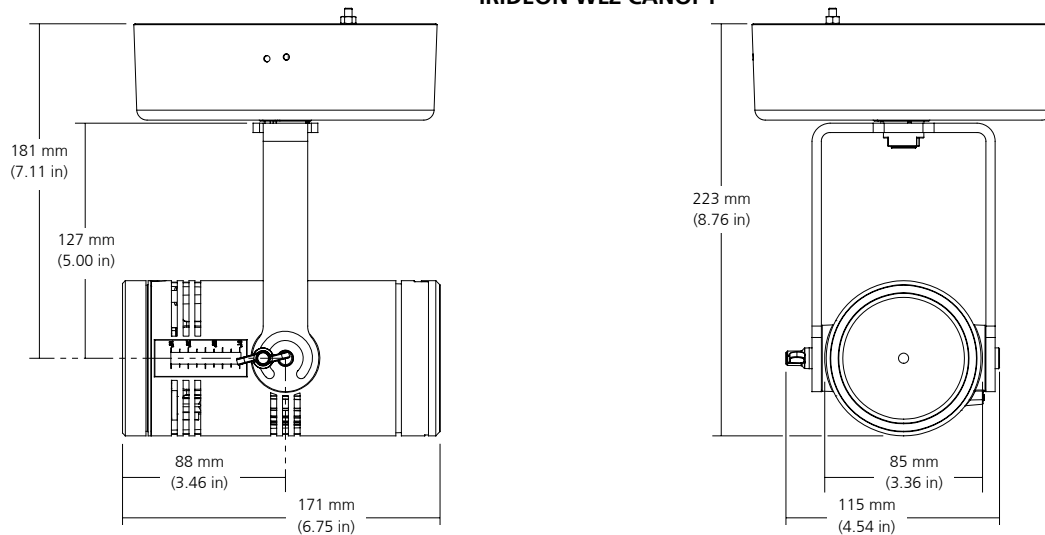
IRIDEON WLZ PORTABLE - F-DRIVE



IRIDEON WLZ PORTABLE



IRIDEON WLZ CANOPY



Corporate Headquarters • Middleton, WI USA

Global Offices • London, UK • Rome, IT • Holzkirchen, DE • Paris, FR • Hong Kong
Dubai, UAE • Singapore • New York, NY • Orlando, FL • Los Angeles, CA • Austin, TX

©2024 ETC. All Rights Reserved. All product information and specifications subject to change. Rev O 2024-03

*Trademark and patent info: etconnect.com/IP • Third-party license agreement info: etconnect.com/licenses

etconnect.com