

# The i-marc™ 200 Followspot



## DESCRIPTION

New to our line of quality followspots, the energy efficient i-marc™200 features an aluminum housing on a steel chassis, variable focal length lens system and mechanical dowser and iris. At the heart of the compact, lightweight i-marc™200 is the SMR-202D1 high intensity DC arc lamp. This exceptional 2000 hour lamp is rated at only 200 watts but delivers a lumen output superior to conventional 1000W followspots.

Weighing 60lbs (including base) and measuring only 28.5" in length, the i-marc™200 sets a new standard for keylighting the moving performer. At 75' the i-marc™200 can produce an impressive 260 foot candles of smooth field, daylight-bright illumination. The SMR DC lamp is axially mounted in a dichroic reflector and delivers flicker free operation throughout its 2000 hour life. Driven by a medical grade electronic ballast mounted within the unit, the lamp reaches full brightness in under 30 seconds and will restrike within 30 seconds.

Super quiet, energy efficient and cool to the touch, the i-marc™200 is a perfect fit for smaller applications where compact size is a must. The i-marc™200 fits easily into the trunk or back-seat of a car, making it ideal for rental shops, school, church or community groups.

With the special order SMR-200/UV lamp, the i-marc™ can be converted to a high output "blacklight" projector for special effects and parties. Affordable, durable and versatile, the new i-marc™200 is without a doubt the most cost efficient small followspot on the market today.

## FEATURES

- throws from 25-150 feet
- 3:1 zoom range
- draws less than 7 amps
- iris and dowser
- High intensity metal halide 2000hr DC reflector lamp
- six-color color changer
- steep 70° downward tilt and 60° upward tilt
- full 360° horizontal sweep
- superb flicker free lumen maintenance
- lightweight steel chassis, with aluminum housing and components
- cast-aluminum base w/rigid steel yoke
- small, rugged, and compact
- quiet, cool operation
- 3-position lamp & fan control switch
- easy to operate and maintain
- black powder coat finish
- ETL submitted

## APPLICATIONS

- nightclubs, schools, churches, small Theaters, rentals and touring

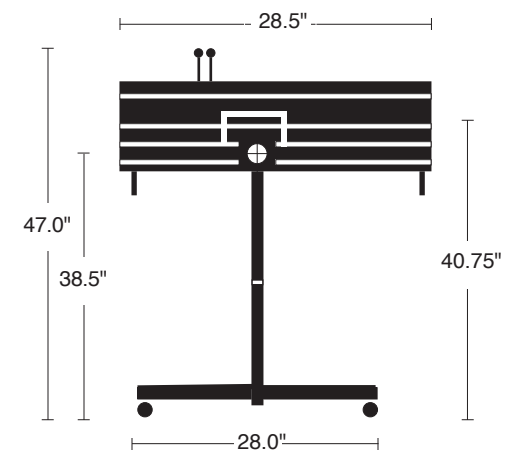
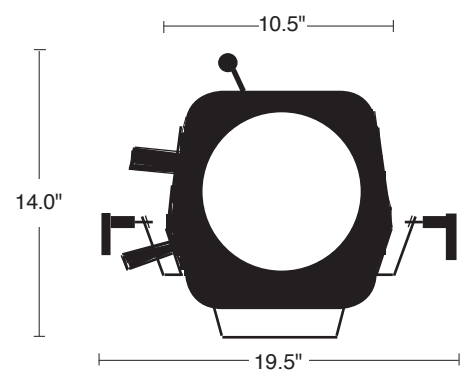
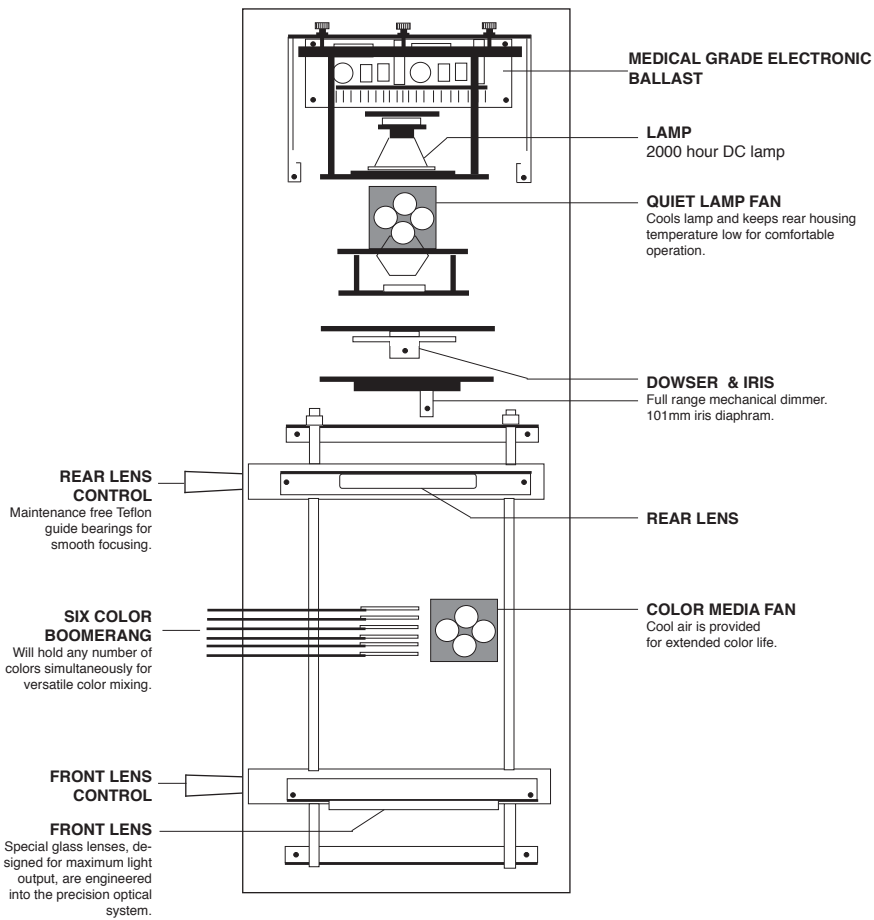
## OPTIONS

- available for 220/240 volt 50hz operation
- UV lamp available for blacklight operation.
- available in white and color powder coat finishes.
- spigot yoke



10533 Chandler Road, Suite 101  
La Vista, NE 68128  
Tel. 402-506-9096

[www.phoebusmanufacturing.com](http://www.phoebusmanufacturing.com)



**THE LAMP**  
The SMR-202/D1 and the SMR-200/UV1 200W DC UV enhanced metal halide projection lamp. With a proven record of dependability, the SMR-202 provides superb flicker free lumen maintenance over a rated life of 2000 hrs. Lamp envelope is axially mounted in its own reflector which makes relamping simple and easy.

**SPECIFICATIONS**

Overall Length	28.5"
Overall Width at Base	28.0"
Overall Height	47.0"
Height of Pivot Point	38.5"
Floor to Beam Center	41.5"
Front Clearance Radius for:	
Vertical Movement	16.5"
Horizontal Movement	15.5"
Rear Clearance Radius for:	
Vertical Movement	14.75"
Horizontal Movement	14.5"
Maximum Height at Rear with Downward Tilt	53.0"
Maximum Height at Front with Upward Tilt	53.0"
Maximum Downward Tilt From Horizontal	70°
Maximum Upward Tilt From Horizontal	60°
Horizontal Sweep	360°
Lamp	SMR-202/D1
Power Requirement	7 Amps 120 volt

**Imarc™ Optical System Performance At Various Distances**

Throw In Feet	Spot			Flood		
	Min Diam.	Max Diam.	Footcandles	Min Diam.	Max Diam.	Footcandles
25	6"	2'2"	2700	12"	4'7"	550
50	9"	4'4"	600	24"	9'2"	140
75	14"	6'4"	260	2'8"	11'3"	95
100	18"	7'6"	130	3'6"	14'7"	45
150	22"	9'7"	90	4'4"	30'6"	33