

G-Wash POI

RGB LED Wash Projector



Description

The G-Wash POI is a multi-environmental, maintenance-free RGB LED wash light with an IP66-rating. With one of the widest zoom ranges ever seen in a Fresnel-based wash luminaire, the G-Wash is able to create extremely bright colors from long distances with noiseless operation and accurate beam distribution. The integrated dehumidifier of the G-Wash POI ensures perfect inner cleanliness of the luminaire and no accumulation of dust or externally induced impact on internal optics,, or the light source unit.

Features and benefits

- ✓ 13500 lumen RGB Fresnel LED wash light
- ✓ Ultra-high-speed strobe effect and built-in rotating and indexable beam shaper
- ✓ Flicker-free / Programmable scenes / DMX, RDM, and wireless control
- ✓ IP66-rated and patented built-in dehumidifier for a practically maintenance-free luminaire
- ✓ 2000K - 10000K CTC control, no hotspots, and 9° to 73° zoom range
- ✓ Ideal application: permanent medium and large-scale architectural installations in non-accessible outdoor locations
- ✓ 5-year warranty
- ✓ Corrosion class C5-M (marine) makes it ideal for coastal and offshore installations

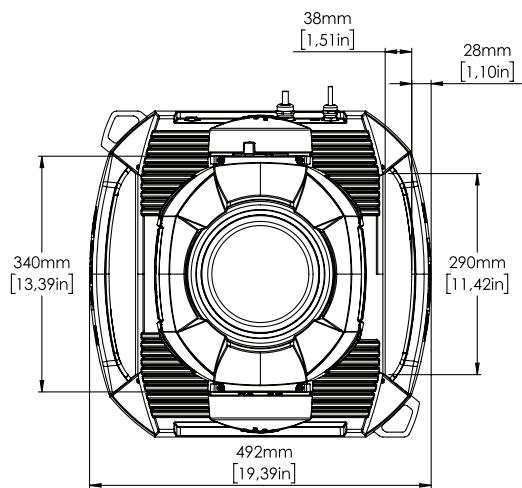
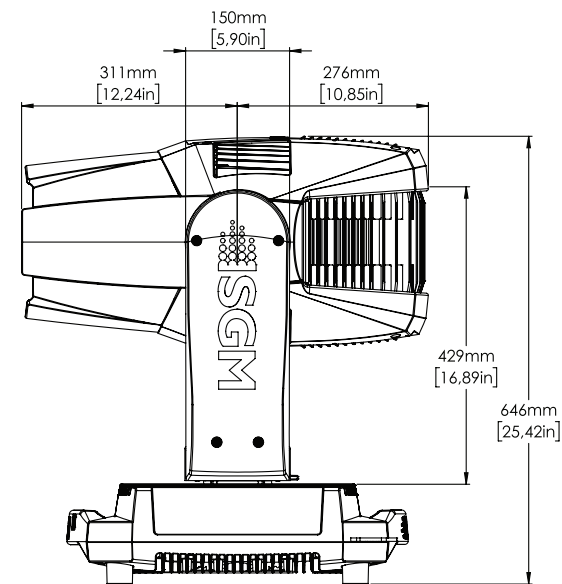
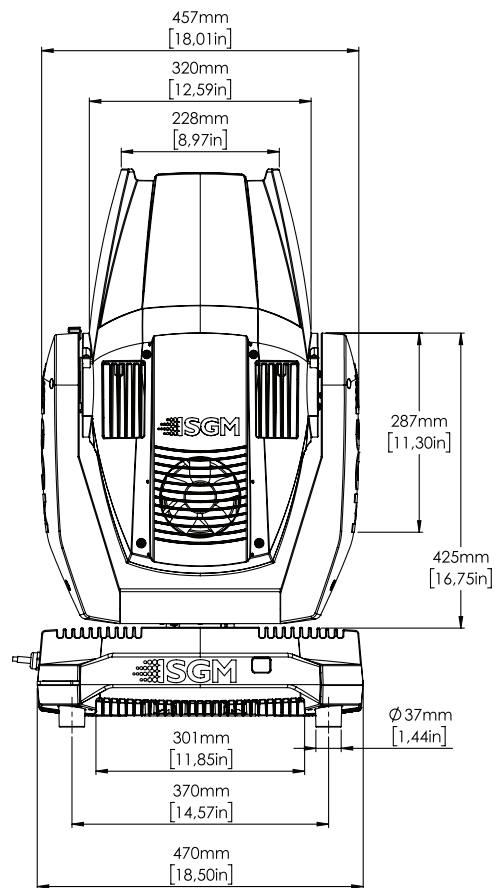
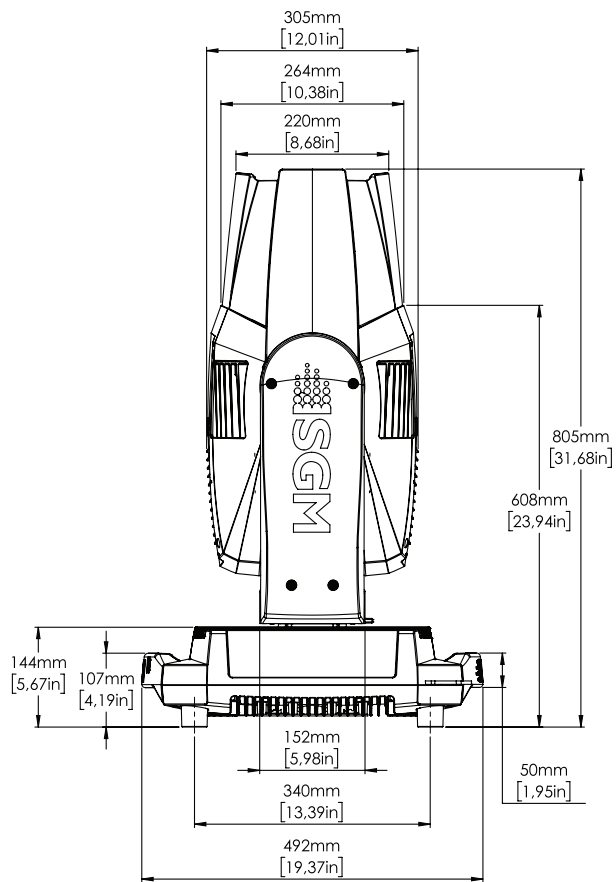
Certifications & classifications

IP66

RoHS

CE





Specification

Optical Data	Fresnel lens diameter	200 mm
	LED expected lifetime	50,000 hours
	Lightsource	High-power RGB LED
	Zoom	Motorized
	Zoom range	9° to 73°
Photometric	Color temperature range	2000K - 10000K
	Efficacy	14 lm/W
	Light output all LEDs on	13500 lm
	Light output blue	1400 lm
	Light output green	3800 lm
	Light output red	3800 lm
Physical	Color options	Black - RAL 9004 Custom color - Any RAL White - RAL 9010
	Corrosion class	C5-M (ISO 12944)
	IP class	IP66
	Lens material	Tempered glass front
	Material	Aluminium Plastic PA6.6 Steel
	Net dimensions	585 x 821 x 492 mm
	Net dimensions inches	23 x 32.3 x 19.4 inches
	Net weight	49 kg (108 lbs)
	Features	Beam shaper
Dehumidifier		Base / Head
Dimming		Electronic
Pan		540°
Power / DMX indicator		Base
Strobe		Ultra-high-speed strobe effects
Tilt		270°
Variable aperture		Intensity optimized / projection optimized
Electrical	AC power, max.	190 - 264V 50/60Hz
	AC Power, nominal	208 - 240V 50/60Hz
	Electrical Protection	Overload protection

	Max Inrush Current 230VAC	30 A
	Max power consumption	1050 W
	Power factor	0.99 PF (230 V) PF (230V)
	Power Supply Unit	Auto-ranging electronic switch-mode
	Standby power consumption	70 W
	Typical power consumption	750 W
Programming and Control	16-bit control	Dimmer, colors, pan/tilt, zoom, beam shaper
	DMX channels	16 or 19
	DMX modes	2
	Protocol	USITT DMX512A RDM ANSI E1.20
	Setting and addressing	RDM ANSI E1.20
Connections	DMX data in/out	5 meter cable for DMX in and out
	Power	Power cable 5 meter with bare ends
Installation	Mounting point	4 x 2 M-10 locking points (suitable for two or four POI Omega Brackets)
	Orientation	Any
	Rigging possibilities	Hanging / horizontal mounted
	Safety features	2 attachment points for safety wire Minimum distance to combustible materials: 0.3 meter (11 in).
Thermal	Cooling	Active, Forced Air, Temperature-regulated
	Humidity (max.)	98 %
	Temperature range, Operating	-40°C to 50°C
	Temperature range, Start-up	-20°C to 50°C
	Temperature range, Storage	-40°C to 80°C
	Thermal Protection	Automatic overtemperature protection
Included items	Included items	Safety instructions and installation quick guide 8 M-10 screws

NOTES:

Due to continuous improvements and innovations, specifications may change without notice.

LEDs' expected lifetime provided by manufacturer and obtained under manufacturer's test conditions.

Zoom range defined as a minimum beam angle to a maximum field angle.

Photometric measurements obtained with Goniometer Scan / SGM Illumination Lab 1.6.0.0.

Lumen output in pixel products is calculated.

Ordering information

Product name

G-Wash Moving Head, POI, WH
G-Wash Moving Head, POI, BL

Item number

80021155
80021150

Accessories

SGM USB uploader cable
Vacuum Test Kit
Omega Bracket POI
RDM Addressing Tool

Item number

83062011
83061136
83060623



SGM Light A/S

Sommervej 23, 8210 Aarhus V

Denmark

Telephone [+45 70 20 74 00](tel:+4570207400)

Mail info@sgmlight.com