


FreeSpeak II O2 2.4GHz Beltpack

FreeSpeak II Wireless Solutions



Linking
People
Together



FreeSpeak II O2 2.4GHz Beltpack

Key Features and Benefits

- Designed to work at atmospheric pressure up to 75 psi
- Typical indoor range 300ft (90m), outdoor range 800ft (240m)
- 1.9 and 2.4GHz beltpacks operate on a single system
- Up to 65 – 90 beltpacks on a single system
- “Listen Again” message replay
- Simple 2-channel partyline operation to 5-channel intercom on the same beltpack
- Over-the-air beltpack registration
- XLR-4M headset connector
- IP-65 rating for wet and dusty conditions
- Built-in flashlight
- Uses AA alkaline or rechargeable Nickel Metal Hydride batteries

FreeSpeak II is a high performance wireless solution operating in the 1.9 and 2.4GHz frequency bands designed for extensive communication in large-scale operations.

Description

The FSII O2 2.4GHz beltpack is specifically designed to work in Hyperbaric chambers safely, operating at atmospheric pressures of 5.1 atm, 517 kPa, or 75 psi with a change of +/- 26 psi per minute without damage.

Operation:

The FSII-BP24-X4-O2 can connect to the FreeSpeak II base station or to Eclipse HX card frame matrices using the E-QUE-HX interface card. FSII-BP24-X4-O2 users can roam seamlessly between FSII-TCVR-24 antennas over wide areas. The “Listen Again” feature allows users to replay earlier commands, eliminating the need to repeat communication or disturb productions.

Increase System Size

The FSII-BP24-X4-O2 can be mixed with any other FSII beltpack on the same system, increasing the quantity of beltpack users in a single radio space. In the US, up to 25 1.9 GHz and 40 2.4 GHz beltpack users can operate on a single system, while the rest of the world can have up to 50 1.9 GHz and 40 2.4 GHz beltpack users in the same radio space.

Durability

The FSII-BP24-X4-O2 is IP-65 rated for water and dust protection with special components to withstand depths of 125 ft (38 m). For better grip and protection, the beltpack has a rubberized over-mold to protect from the most rugged environments.

Battery

The FSII-BP24-X4-O2 beltpack does not support the AC60 battery like the FSII-BP19 and FSII-BP24 beltpacks. Because this beltpack is used in high-pressure environments, the FSII-BP24-X4-O2 will only support the use of three AA alkaline or rechargeable Nickel Metal Hydride batteries. Beltpack battery level settings will accommodate to the use of these batteries.

FreeSpeak II O2 2.4GHz Beltpack

FreeSpeak II Wireless Solutions

Technical Specifications

Audio

Audio Bandwidth: 200Hz-7.5KHz

No. of Full-Duplex Audio Paths: Up to 5 with individual level control

(2 dedicated rotaries, 3 with menu), 2 controls and a main volume

Mode of Operation: Full duplex on all routes

Level/Talk Controls: 4 pushbuttons, a reply button and 2 rotary controls

Enter/Answer-Back Button: 1

Radio

Frequency Spectrum: 2.400-2.483MHz for EU and US cellular auto roaming technology

Modulation: GFSK, TDMA frame 10ms full slot

Output power: (EU) 18dBm, (RoW) 22dBm

Range: Typical indoor range 300ft (90m), outdoor range 800ft (240m)

Battery: 3 AA alkaline or Nickel Metal Hydride

Battery Life: 9+ hours

Headset Connector: 4-pin male

Microphone Type: Electret and Dynamic, selectable in beltpack menu

Headset Limiter: Selectable from beltpack menu

Environmental

IP-65 water and dust resistance

Operating: 32°-125°F (0°-50°C)

Storage: 32°-150°F (0°-70°C)

Humidity: Between 20% and 90%, Non-Condensing

Atmospheric pressures of 5.1 atm or 75 psi

Dimensions

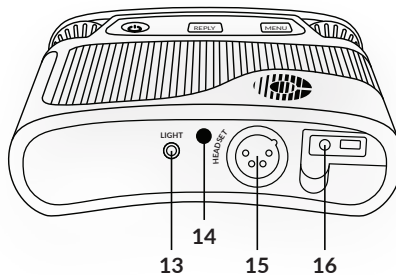
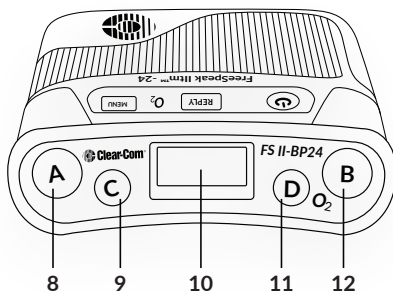
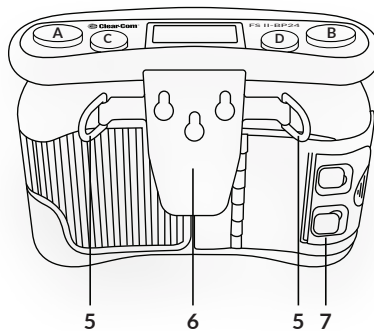
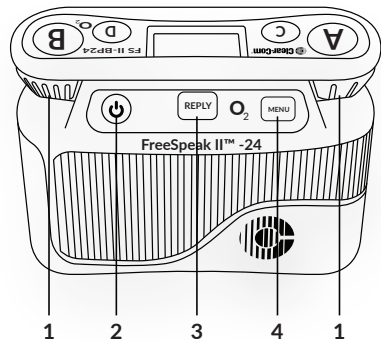
Tapered design at largest points

3.75 x 5 x 1.5 in (HxWxD)

(97 x 130 x 45 mm)

Weight

9.0 oz (0.25 kg) including batteries



Legend

1. Volume Control
2. Power Button
3. Reply Button
4. Menu Button
5. Shoulder Strap Hook
6. Belt Clip
7. Battery Door
8. Channel A
9. Channel C
10. LCD
11. Channel D
12. Channel B
13. Flashlight
14. Flashlight Switch
15. Headset Connector
16. USB and Audio Jack Connectors

Order Codes

FSII-BP24-X4-O2-US: Beltpack with XLR-4M headset connector, approved for use in USA, Canada and world wide sales except EU

FSII-BP24-X4-O2-EU: Beltpack with XLR-4M headset connector, approved for use in the EU only