

FL-7 Call Signal Flasher

Analog Partyline Intercom Systems

Linking
People
Together



FL-7

Key Features and Benefits

- Call signaling with bright red strobe light
- Adjustable audible tone
- Selector switch for ring tone, flasher, or both
- Connects to any channel with standard mic cable
- Low current draw, powered by the intercom line
- Rugged metal case, for either desktop or wall-mount use

Encore™ is a 2-wire analog partyline system with intuitive plug-and-play design and superior “Clear-Com Sound” audio clarity.

Description

The FL-7 Call Signal Flasher connects to any Clear-Com or compatible intercom system, providing both a visual and an audible indication of a call signal on the intercom channel. The flasher emits a bright red strobe light twice a second in response to a call.

The FL-7 also provides a ringing tone similar to a telephone. The level of this tone is adjustable. A front panel mode switch allows the user to choose among three operations: flasher only, ring only or both flasher and ring. The FL-7 is especially useful in higher noise environments or in situations where the operator must leave the vicinity of the intercom station to do other tasks.

Operation

Using a standard mic cable, connect the FL-7 to the intercom line near the operator who requires signaling. The FL-7 is powered by the intercom line, drawing only 80 mA during operation. The FL-7 has both male and female 3-pin XLR connectors allowing it to be connected anywhere on the intercom line.

Mounting Options

The FL-7 has rubber feet for placement on a table or flat surface. There are two keyhole slots on the bottom for wall-mounting.

FL-7 Call Signal Flasher

Analog Partyline Intercom Systems

Technical Specifications

dBu is an absolute measurement. 0 dBu is referenced to 0.775 volts RMS

Flash Rate

2 times/sec

Flasher Lens

2.5" diameter; red color lens

Connectors

(1) XLR-3F; (1) XLR-3M

Power Requirements

Input Voltage: 20-30 VDC

Input Current: (idle) \leq 10mA

Input Current: (max) \leq 90mA

Environmental

32° to 122°F (0° to 50°C)

Dimensions

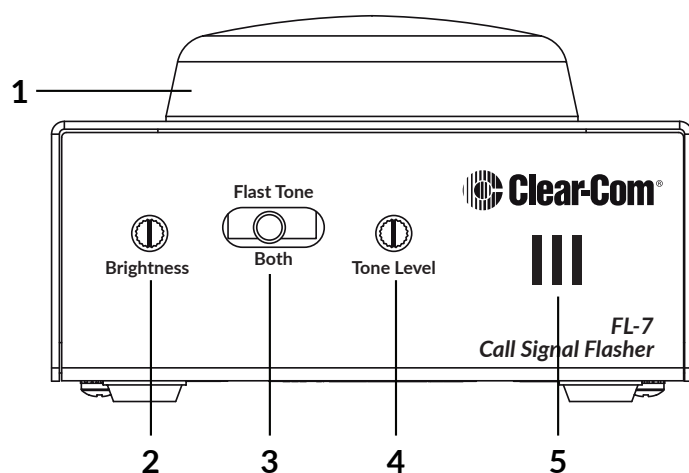
2.5 x 4 x 5.0 in (HxWxD)

(63 x 101 x 127 mm)

Weight

14.5 oz (0.42 kg)

FL-7 Front Panel



Legend

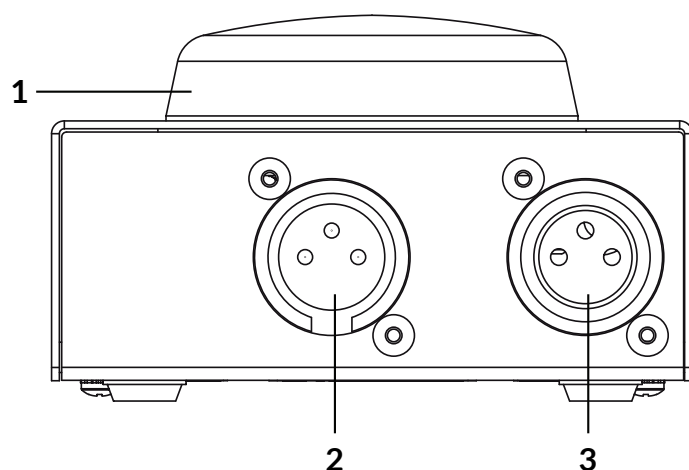
Front Panel

1. Flasher lens
2. Brightness control
3. Flash/Tone/Both selector
4. Tone level control
5. Speaker

Back Panel

1. Flasher lens
2. XLR-3F
3. XLR-3M

FL-7 Back Panel



Order Code

FL-7