



Type(s)
Project
Date
Notes

GENERAL INFORMATION

The Eos Apex 20 console is engineered for comfort and customization, with generous programming surfaces and the power to run complex lighting and media rigs. As the largest and most luxurious of ETC’s flagship lighting control line, the Eos Apex 20 is the ultimate hands-on, professional workspace – powered by the award-winning Eos control software.

Apex hardware is designed to remain state-of-the-art for years to come. Top-of-the-line features include customizable Target keys for Direct Selects, a built-in soft keypad, book lights for paperwork, drawers for accessories, dual-axis folding displays, and generous encoder tools for LEDs, moving lights, and media control. The Eos Apex 20 offers more playbacks than any other Eos Family console, providing tactile rig control for even the largest venues and productions.

Eos Family software includes:

- Approachable yet powerful syntax for programmers of every level
- Industry-leading color control tools
- Magic Sheets for custom programming and displays
- Augment3d 3D programming and visualization environment
- Virtual Media Server function for pixel-mapping
- Timecode and automation integration
- Multi-user and multi-programmer working environment

For drawings, photos, and more, visit the [Eos Apex 20](http://Eos.Apex.20) product webpage. To explore the latest software features, accessories, and other Eos Family products, visit etconnect.com/Eos.

ORDERING INFORMATION

EOS APEX 20

| MODEL | DESCRIPTION | PART NUMBER |
|---------------|------------------------------------|-------------|
| EOS APEX 20 | Eos Apex 20, 24,576 outputs | 4450A1001 * |
| EOS APEX PROC | Eos Apex Processor, 24,576 outputs | 4450A1021 * |

* Add -US for Edison, -EU for Schuko/UK13A, -AZ for Australasian Type I

All models are available without wireless radios (WiFi and Bluetooth). Please contact ETC for ordering information.

For projects requiring more than 24K of output, please contact ETC.

SHIPS WITH:

- One three-button scroll mouse and mousepad
- Cherry tenkeyless backlit alpha-numeric keyboard
- Locking regionalized IEC power cord
- Two 24-inch LED gooseneck Littlites
- Augment3d AR target kit
- Dust cover



EOS APEX 20 ACCESSORIES

| MODEL | DESCRIPTION | PART NUMBER |
|----------------------------|---|-------------|
| SFP+10GB-SM-LC | SFP+ 10GB-SM-LC SFP+ 10GB Sled, single-mode fiber, Duplex LC connector * | N1126 |
| SFP+10GB-MM-LC | SFP+10GB-MM-LC SFP+ 10GB Sled, multi-mode fiber, Duplex LC connector * | N1127 |
| SFP+10GB-CP-RJ | SFP+10GB-CP-RJ SFP+ 10GB Sled, copper, RJ45 connector * | N1128 |
| SFP+1GB-SM-LC | SFP+1GB-SM-LC SFP+ 1GB Sled, single-mode fiber, Duplex LC connector * | SGN1019 |
| SFP+1GB-MM-LC | SFP+1GB-MM-LC SFP+ 1GB Sled, multi-mode fiber, Duplex LC connector * | SGN1021 |
| SFP+1GB-CP-RJ | SFP+1GB-CP-RJ SFP+ 1GB Sled, copper, RJ45 connector * | TBD |
| EOS APEX IO KIT - DMX | I/O Garage DMX Kit to include: 4 DMX Gadget II units (8 ports DMX-OUT total) | 4450K1020 |
| EOS APEX IO KIT - SHWCNTRL | I/O Garage Show Control Kit to include: 2 DMX Gadget II units (4 ports DMX-OUT total), 1 MIDI Response Gateway (In/Thru/Out), 1 SMPTE Response Gateway (3-pin XLR In) | 4450K1030 |
| GADGET2 | Gadget II, 2 ports DMX-OUT, for use in I/O Garage | 4267A1004 |
| RSN-SMPTE-P | Response SMPTE Gateway, for use in I/O Garage | 4267A1007 |
| RSN-MIDI-P | Response MIDI Gateway, for use in I/O Garage | 4267A1009 |
| RSN-SERIAL-P | Response Serial Gateway, for use in I/O Garage | 4267A1011 |
| EOS MFW 10 | Eos Motorized Fader Wing 10 | 4240A1021 † |
| EOS MFW 20 | Eos Motorized Fader Wing 20 | 4240A1022 † |
| EOS REM INT | Eos Remote Interface | 4450A1041 † |
| ETCNOMAD BASE | Client Software Key Kit | 4380A1011 |
| EOS APEX 20 FC | Eos Apex 20 Flight Case | PSR1108 |

* For a complete list of ETC-qualified transceivers, visit etcconnect.com/Products/Consoles/Eos-Consoles/Apex/I/O-Garage.aspx

† Add -US for Edison, -EU for Schuko/UK13A, -AZ for Australasian Type I

HARDWARE AND INTERFACES

- Two 27-inch 4K multi-touch LCD touchscreens, in an articulating dual-axis display panel
- Supports three external display port monitors (1920x1080 minimum, 3840x2160 maximum), with optional single-touch or multi-touch screen control and DDC/CI support
- 20 60 mm motorized faders, 100 10-fader pages for configurable faders, for channel, submaster and palette/preset, timing and effect rate/speed playback control
- Twenty backlit scroll wheel faders with button, 100 10-fader pages for configurable faders, for channel, submaster and palette/preset, timing and effect rate/speed playback control
- Four 5-inch high-resolution fader displays, with multi-touch and haptic touch feedback
- Main Playback with two 60 mm motorized faders, and display load buttons
- Five banks of 10-button user-definable Target Keys
- Six force-feedback encoders for non-intensity parameter control
- Eight backlit mini encoders for non-intensity parameter control, plus one mini encoder for navigation
- Dedicated 10.1-inch high-resolution encoder display
- Dedicated high-resolution intensity level wheel
- Backlit expanded Eos keypad
- 6.3-inch keypad touchscreen, with haptic touch feedback, servicing softkeys and custom user layouts
- Built-in keyboard tray, with USB A & C ports
- Built-in accessory tray, with USB A & C ports and dedicated 5-volt/2-amp USB-A charging port
- One front-facing 5-volt/2-amp USB-A dedicated charging port
- Two independently dimmable warm-white LED booklights to illuminate adjacent surfaces
- Solid-state hard drive
- Dedicated graphics processing
- IEC power input (100–240 VAC at 50/60 Hz), inset power switch with integrated breaker, locking regionalized power cable included
- Four individually configurable Gigabit Ethernet ports, etherCON connectors, PoE++ (802.3bt compliant PSE)
- Two individually configurable 10-Gigabit SFP+ ports, which accept modules for copper, single-mode fiber, or multi-mode fiber connections
- One 802.11ac WiFi Ethernet adapter (to be enabled with future software)
- Bluetooth 5.1 for connecting input accessories (to be enabled with future software)
- sACN and Art-Net network output protocols
- USB 3.1 ports, for flash drives, pointing devices, keyboards (12 USB-A ports, 8 USB-C ports)
- Two Littlite XLR ports
- Two Kensington lock ports
- I/O Garage with four bays, which accept Response backpack-style show control gateways, or Gadget II DMX output modules
- Multiple MIDI and/or SMPTE timecode inputs, MIDI In and Out, Analog/Serial Inputs, OSC transmit/receive, UDP transmit/receive through network interface or Response Gateways

EOS APEX 20 DIMENSIONS AND WEIGHTS *

| MODEL | HEIGHT | | WIDTH | | DEPTH | | WEIGHT | |
|-----------------------------------|--------|-------|-------|-------|-------|-------|--------|-----|
| | mm | in | mm | in | mm | in | kg | lb |
| Eos Apex 20 | 499 | 19.64 | 1422 | 56.00 | 648 | 25.53 | 66.68 | 147 |
| Eos Apex 20 in shipping container | 324 | 12.75 | 1524 | 60.00 | 794 | 31.25 | TBD | TBD |
| Eos Apex 20 in flight case | 926 | 36.45 | 388 | 15.25 | 1582 | 62.25 | TBD | TBD |

* Dimensions and weights typical

ELECTRICAL AND THERMAL

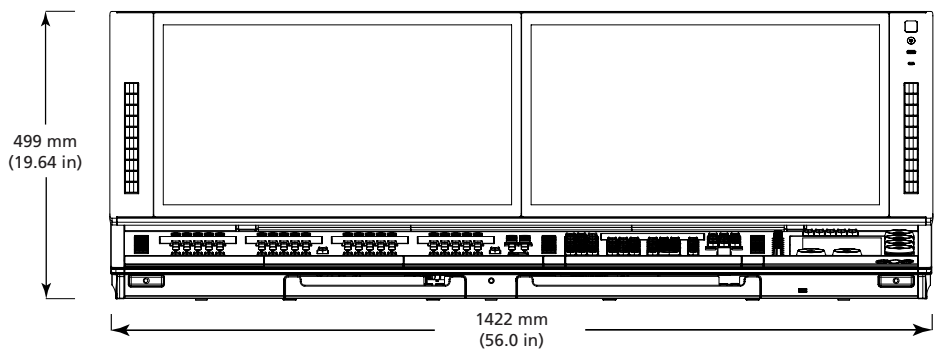
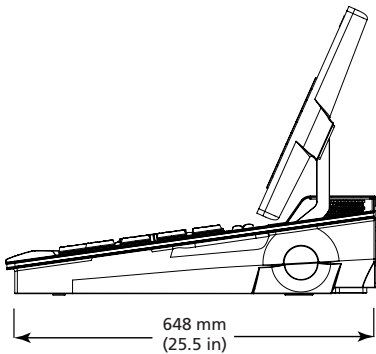
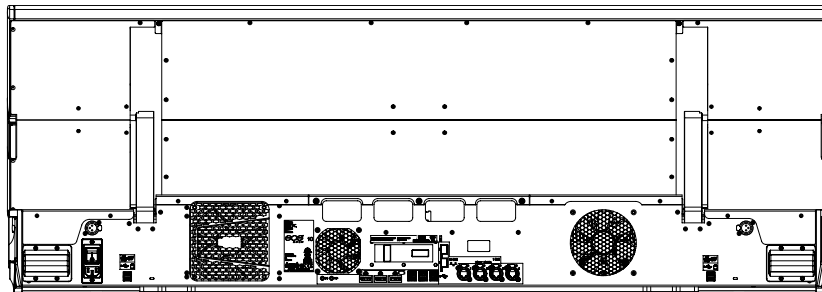
- Power consumption approximately 6 A at 120 V or 230/240 V
- Ambient room temperature 0°–35°C (32°–95°F)
- Ambient humidity up to 90% non-condensing



Immersion technology licensed from Immersion Corporation. Protected under one or more of the U.S. Patents found at the following address <https://www.immersion.com/trademarks-and-patent-markings/> and other patents pending.

REGULATORY AND COMPLIANCE

- CE compliant
- cETLus listed
- UKCA marked
- FCC compliant
- RoHS compliant
- WEEE



Corporate Headquarters • Middleton, WI USA
 Global Offices • London, UK • Rome, IT • Holzkirchen, DE • Paris, FR • Hong Kong
 Dubai, UAE • Singapore • New York, NY • Orlando, FL • Los Angeles, CA • Austin, TX
 Copyright©2022 ETC. All Rights Reserved. All product information and specifications subject to change. Rev A 2022-02
 Trademark and patent info: etconnect.com/IP

etconnect.com