

CITY

THEATRICAL

I N C

DMX Snow Machine Owner's Manual

Rev 0.1 © 2008 City Theatrical Inc



475 Barell Avenue, Carlstadt, NJ 07072
201/549/1160 FAX: 201/549/1161
www.citytheatrical.com

CONTENTS

The City Theatrical DMX Snow Machine 3
Cautions..... 3
COMPLIANCE INFORMATION 4
Machine Basics..... 5
Front Panel Controls 6
Status..... 6
Connection Panel Detail 7
Mains Power Requirements..... 7
Specifications..... 8

FIGURES

Figure 1, DMX SNOW MACHINE, Overall Dimensions..... 5
Figure 2, DMX SNOW MACHINE, Back Panel..... 7

The City Theatrical DMX Snow Machine

Thank you for using the City Theatrical DMX Snow Machine™. Every effort has been made to anticipate your questions in this manual, but if you have any questions that we don't answer here, or you want to discuss a special application, please feel free to contact use directly at City Theatrical.

The CTI DMX Snow Machine™ is a versatile special effects device designed to provide a falling snow effect when used with artificial plastic snowflakes. It incorporates a universal 120/240 VAC power supply, a belt and pulley drive system, stepper motor control, and classic City Theatrical sturdy construction for guaranteed and repeatable performance.

Cautions

The DMX Snow Machine is intended for use only by qualified professionals. Connection, installation and hanging of this equipment must be performed in accordance with all pertinent local, regional and national safety codes and regulations.

The DMX Snow Machine is intended for indoor use only.

Keep the unit dry! Do not operate the unit if it gets wet!

Maximum ambient operating temperature of 40°C.

Be sure installation provides adequate space for operation. Both the front and the back side of the unit must be clear of obstruction and allow for the drum to rotate.

The socket-outlet shall be installed near the equipment and shall be easily accessible.

There are no user-serviceable parts inside! Refer to qualified service personnel!

COMPLIANCE INFORMATION



The City Theatrical 1600 DMX Snow Machine is CE Certified

Standards Applied:

EN 61000-3-2/-3, EN 61000-6-1 and EN 61000-6-3
IEC/EN 60950-1:2001 and EN 60598-2-17

Products Conform to CE Marking Directive 93/68/EEC

The City Theatrical 1600 DMX Snow Machine is RoHS compliant

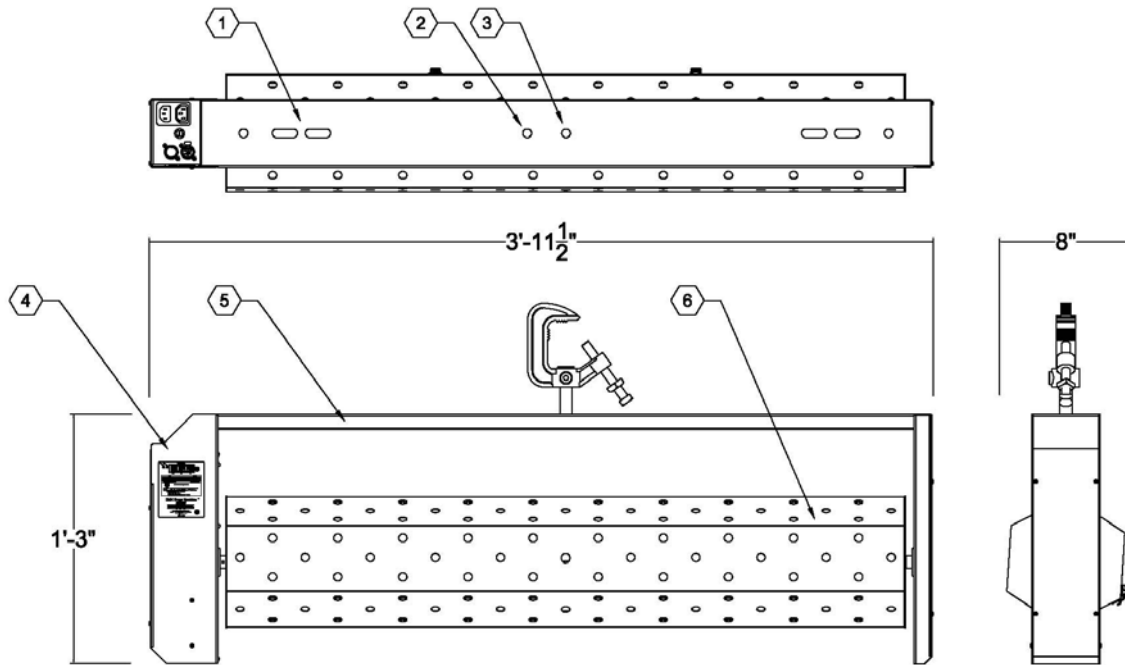
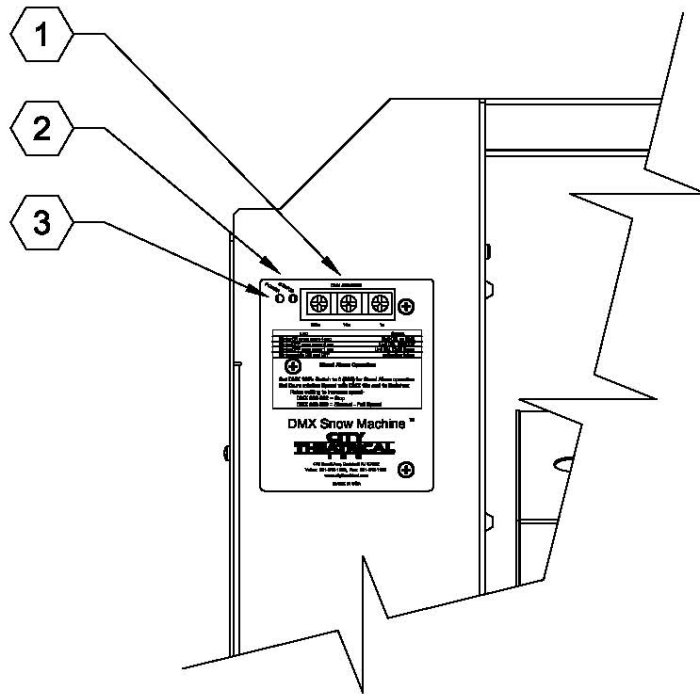


Figure 1, DMX SNOW MACHINE, Overall Dimensions

Machine Basics

The DMX SNOW MACHINE is just under 4' long, stands 15" tall without a clamp (C-clamp is not included with product), and occupies a maximum depth of 8". The control mechanics are packed into the control box on the left, maximizing the drum length and the spread of artificial snow. The sturdy yoke is designed to be supported at different points or one point in the center of its span.

1. Safety Cable attachment point:
Allows for easy attachment of safety cables or chains by looping through the obround slots in the yoke, 2 are provided
2. Center-of-Unit Mounting Hole:
Mounting hole placed at dimensional center of unit for ease of installation
3. Center-of-Balance Mounting Hole:
Mounting hole placed at center of balance of unit for alternate installation
4. Control Box:
Housing for power supply, motor drive system, and control circuit board
5. Yoke:
Sturdy welded steel yoke with various mounting points and safety cable attachments
6. Drum:
8" Diameter drum with 1/2" perforations evenly spaced along its length. Drum lid is latched with 2 sturdy clasps



Front Panel Controls

The DMX SNOW MACHINE front panel controls will generally look familiar to most professional users, with a Power Light, Status Light, and 3 BCD DMX Address Switch array. All the control functions are described below:

1. DMX & Stand Alone Address Switches: Left to right = 100's, 10's, 1's
 Set address to any valid address 001 – 512 for DMX control
 Set 100's switch to 6 for stand alone operation:
 - 603 – Drum will rotate at slowest speed
 - 699 – Drum will rotate at fastest speed (approximately 25 RPM's)
 - Any setting between will be a speed variation.

2. Status LED: Indicates the following:

LED Activity	Status
Mostly OFF w/ short blinks ON ~ 1 per 4 sec	Unit on and running, no DMX
Mostly ON w/ short blinks OFF ~ 1 per 4 sec	Unit on and running, DMX present
Mostly ON w/ short blinks OFF ~ 1 per sec	Unit on and running, DMX present with errors
Rapid blinking, even ON and OFF	Calibration Failure

3. Power LED: Indicates unit is powered up and 24VDC power supply is functioning.

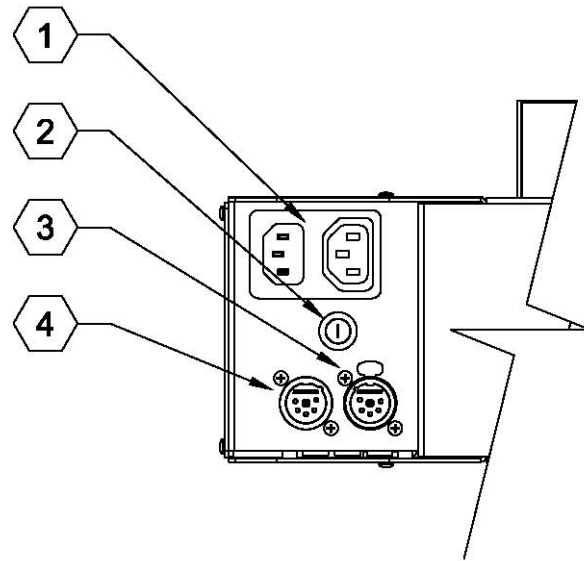


Figure 2, DMX SNOW MACHINE, Back Panel

Connection Panel Detail

1. IEC Power Inlet and Power Pass-Thru: Connect Mains Power Cord here as well as Main Power pass-thru.
2. User replaceable fuse: Unit is rated at 10 amps. This fuse protects the IEC C-14 pass-thru and internal circuitry. *Note: Unit circuitry is also internally fused at 2A. No user-serviceable parts inside. Refer to qualified service personnel.*
3. DMX OUTPUT: 5P XLR Female Panel Mount connector.
4. DMX INPUT: 5P XLR Male Panel Mount connector, auto-terminated

Mains Power Requirements

The DMX SNOW MACHINE operates on 100-240 VAC, 50/60 Hz Mains Power, 2A max. The unit is provided with a panel mount IEC Input connector for use with standard 100V – 240V cord sets.

Specifications

Dimensions: 47.5" L, 15" T, 8" D

Weight: 30.75 Lbs.

Electrical Specifications:

- Input Power 100-240VAC 50/60 Hz 600 Watts

Features:

- 120/240 VAC 50/60Hz Mains Power (auto-ranging)
- Stepper motor drive for repeatable & consistent speed control
- Belt & Pulley drivetrain for reduced noise
- Sturdy welded sheet metal construction
- Self aligning bearings
- Mains power pass-thru
- DMX pass-thru
- User replaceable fuse
- Stand-Alone operation
- DMX controlled variable speed
- Heavy Duty NEMA 1 Steel enclosure
- Mounting points for C-Clamp & Safety Cable

DMX 512 Interface:

- DMX Input via 5P XLR Male
- Isolated and repeated DMX Pass-Thru via 5P XLR Female
- DMX Address interface utilizing 3 Rotary BCD Switches for DMX Address configuration

Compliance

- CE Certified