

ETC Installation Guide

Selador Desire® Series D40/D60 XTI Secondary Lens

The D40/D60 XTI accessory trim ring accommodates a Secondary Lens and an optional clear glass lens.



WARNING: Do not use the fixture with a damaged power lead. If the power lead (cord set) is damaged, it must be replaced.

Do not expose the interior of the fixture to moisture. Do not stand in water while installing or servicing the fixture.

Failure to follow these warnings can result in serious injury or death.

Installation



CAUTION: Do not use the fixture if glass lens is deeply scratched or cracked. Damaged lenses must be replaced.

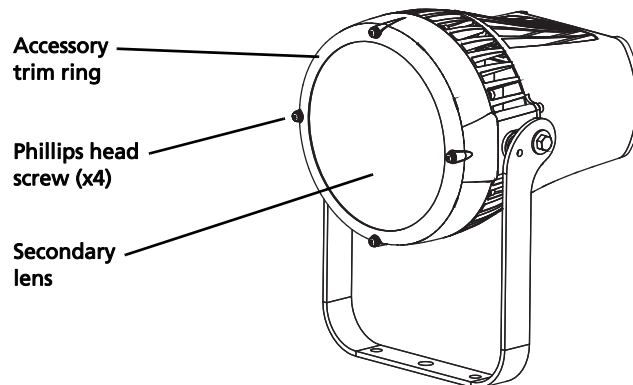
Do not mount the fixture on or near combustible surfaces.

The Secondary Lens kit consists of a clear lens diffusion. A clear lens (not included) is recommended to protect the secondary lens and spacers. To order a clear lens from ETC, contact your customer service representative and reference the following ETC part number:

- D40 XTI: part number 7410A4001
- D60 XTI: part number 7410A4003

The clear lens diffusion can remain on the fixture without media. One solid spacer may be removed to allow an additional lens or a clear glass lens to be installed. Acceptable lens size is 7-3/8 inch (187 mm) diameter.

See the *Desire Series D40/D60 XTI Installation Instructions* for more information about electrical requirements and installing the fixture. The instructions include a full-sized yoke template and are available for download at etconnect.com.



To install diffusion media:

- 1: Using a #2 Phillips screwdriver, remove the four trim ring screws and washers, the trim ring, and the rubber washers.



Note: Be careful not to lose the rubber washers that are placed between the trim ring and the fixture housing. You can order replacement washers from ETC (part number HW6398).



Corporate Headquarters ■ Middleton, WI, USA ■ Tel +608 831 4116 ■ Service: (Americas) service@etconnect.com

London, UK ■ Tel +44 (0)20 8896 1000 ■ Service: (UK) service@etceurope.com

Rome, IT ■ Tel +39 (06) 32 111 683 ■ Service: (UK) service@etceurope.com

Holzkirchen, DE ■ Tel +49 (80 24) 47 00-0 ■ Service: (DE) techserv-hoki@etconnect.com

Hong Kong ■ Tel +852 2799 1220 ■ Service: (Asia) service@etcasia.com

Web: etconnect.com ■ © 2017 Electronic Theatre Controls, Inc.

Product information and specifications subject to change. ETC intends this document to be provided in its entirety.

7410M2110 ■ Rev E ■ Released 2017-02

ETC Installation Guide

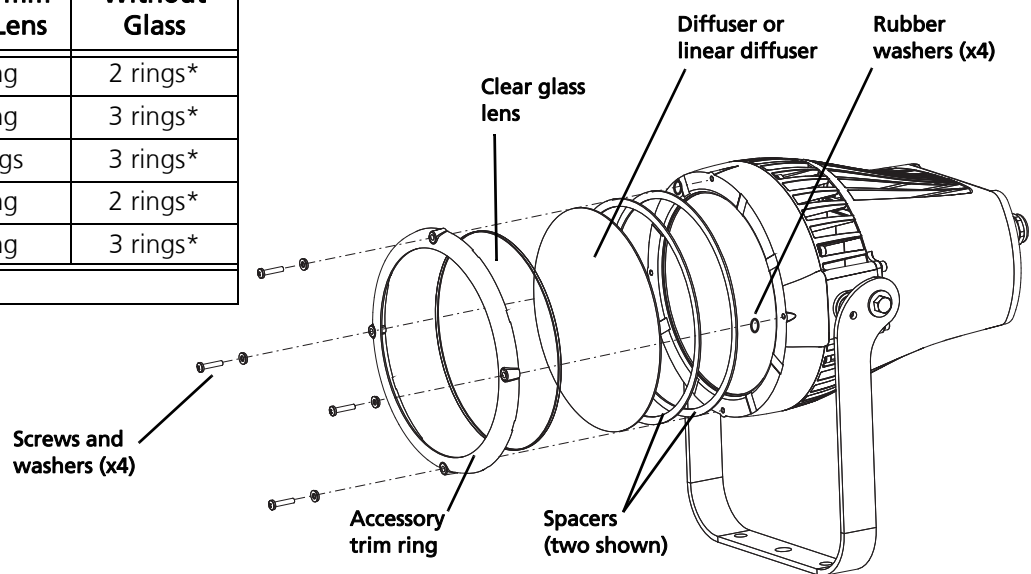
D40/D60 XTI Secondary Lens

- 2: Lay the trim ring face down.
- 3: Optional: Insert a clear tempered glass lens (not included) into the accessory trim ring.
- 4: Follow the appropriate steps below. Please note that you may want to bend one spacer to act as a spring to add extra rotation resistance during the following.
 - **Standard diffuser**
 - If a 3 mm thick tempered glass lens is used, then install the diffuser and two or more spacers to fill the pocket.
 - If no tempered glass lens is used, then install the diffuser and three spacers.
 - **Linear diffuser (For internal installations only)**
 - If a 3 mm thick tempered glass lens is used, then install the linear diffuser and one or more spacers to fill the pocket, depending on the thickness of the linear lens.
 - If no tempered glass lens is used, then install the linear diffuser and two or more spacers, depending on the thickness of the linear lens.
- 5: While holding the assembly together, reinstall the four screws and washers through the front of the trim ring.
- 6: Reinstall the four rubber washers to the back side of the screws between the trim ring and the enclosure housing.
- 7: With lenses and spacers in place, align the trim ring to the fixture and secure. You may have to leave the four screws slightly loose to allow rotation of the glass or lens with your hand.
- 8: Once the orientation of the lens is determined, tighten the four screws.

Linear Diffuser Spacer Recommendations (for internal installations only)

Linear Lens	With 3 mm Glass Lens	Without Glass
VN	1 ring	2 rings*
N	1 ring	3 rings*
M	2 rings	3 rings*
W	1 ring	2 rings*
XW	1 ring	3 rings*

*Bend one ring if needed



Note: The spacers, lenses, and media can be stacked in any order. However, if using a tempered glass lens, it should be the outermost element to protect the diffuser.



Note: The Half Shield can be installed on top of the trim ring using the same set of screws. See the Desire Series D40/D60 XTI Half Shield Installation Guide for more information.