

ETC Installation Guide

Selador Desire® Series D40/D60 XTI Grid Louver

The Desire Series D40/D60 XTI Grid Louver provides visual cut off and glare reduction from any angle while minimizing light loss. The Grid Louver installs securely under the trim ring of both the D40XTI and the D60XTI.



WARNING: Do not use the fixture with a damaged power lead. If the power lead (cord set) is damaged it must be replaced.

Do not expose the interior of the fixture to moisture. Do not stand in water while installing or servicing the fixture.

Failure to follow these warnings can result in serious injury or death.

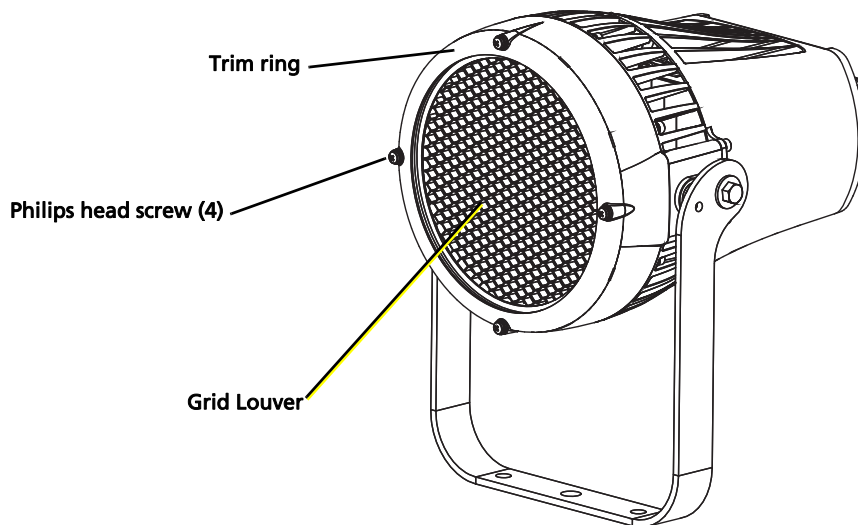


CAUTION: Do not use the fixture if glass lens is deeply scratched or cracked. Damaged lenses must be replaced.

Do not mount the fixture on or near combustible surfaces.

Installation

The Grid Louver is installed behind the front ring of the DXTI fixture with four stainless steel screws. An optional glass lens (not included) can be placed on top of the Grid Louver to keep the Grid Louver free of debris. See the *Selador Desire Series D40/D60 XTI Installation Guide* for information on electrical requirements and installing the fixture. The installation instructions are available for download at etcconnect.com.



Corporate Headquarters ■ Middleton, WI, USA ■ Tel +608 831 4116 ■ Service: (Americas) service@etcconnect.com

London, UK ■ Tel +44 (0)20 8896 1000 ■ Service: (UK) service@etceurope.com

Rome, IT ■ Tel +39 (06) 32 111 683 ■ Service: (UK) service@etceurope.com

Holzkirchen, DE ■ Tel +49 (80 24) 47 00-0 ■ Service: (DE) techserv-hoki@etcconnect.com

Hong Kong ■ Tel +852 2799 1220 ■ Service: (Asia) service@etcasia.com

Web: etcconnect.com ■ © 2017 Electronic Theatre Controls, Inc.

Product information and specifications subject to change. ETC intends this document to be provided in its entirety.

7410M2130 ■ Rev C ■ Released 2017-02

ETC Installation Guide

D40/D60 XTI Grid Louver

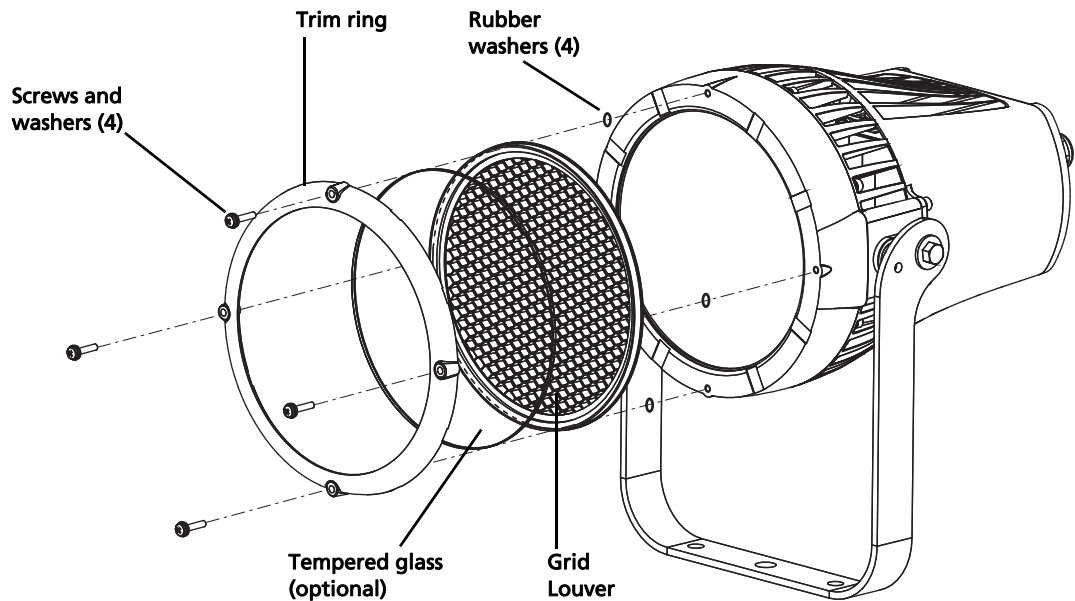
To install the Grid Louver:

- 1: Using a #2 Philips screwdriver, remove the four trim ring screws and washers, the trim ring, and the rubber washers.



Note: *Be careful not to lose the rubber washers that are placed between the trim ring and the fixture housing. Replacement washers can be purchased from ETC (part number HW6398)*

- 2: Place the Grid Louver on top of the enclosure glass.



- 3: Optional: Place a clear tempered glass lens (not included) on top of the Grid Louver.
- 4: Reinstall the four screws and washers through the front of the trim ring, and then reinstall the four rubber washers to the back side of the screws between the trim ring and the enclosure housing.
- 5: Align the trim ring with the Grid Louver (and optional glass lens) to the fixture, and secure screws.