

**D5000-B1**

# D5000-B

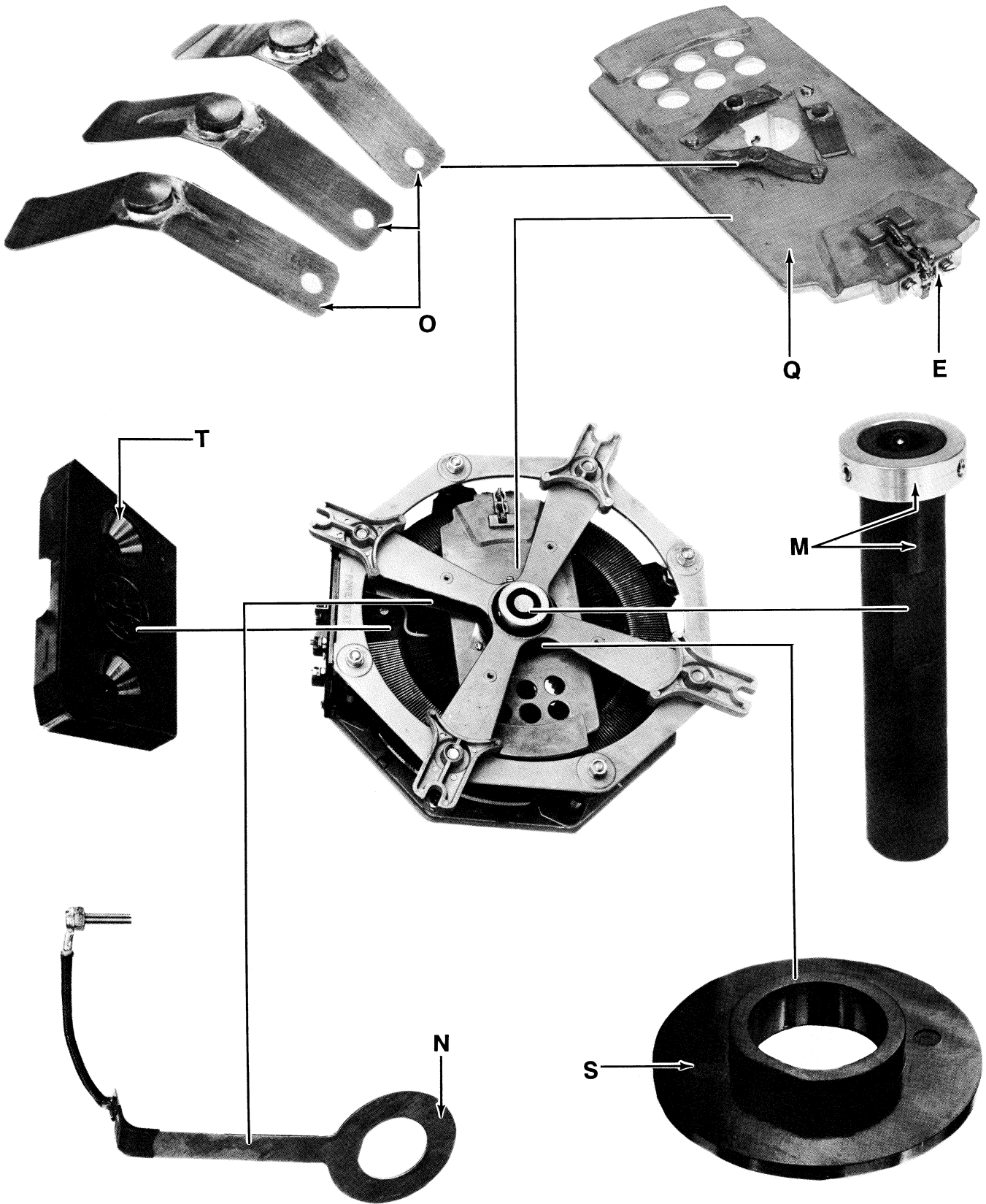
ITEM	PART NUMBER	DESCRIPTION
A	017502-002	HANDWHEEL & POINTER
B	000653-000	DIAL
C*	017560-007	D5000-B COIL KIT
D**	150458-004	D5000-B-VT SECTION
E†	017702-003	RB5000-B BRUSH ASSEMBLY
F	151078-002	SCREEN (LARGE SECTION)
G	151078-003	SCREEN (SMALL SECTION)
H	126661-001-PA	TERMINAL BOX
I	126662-001-PA	TERMINAL BOX COVER
J	151151-002	MOUNTING FOOT
K	018377-000	ILSCO COMMON LUG
L	018376-001	ILSCO TERMINAL LUG
M†	000909-003	SHAFT & COLLAR ASSEMBLY
N†	000938-001	TANG ASSEMBLY
O†	000939-000-BO	SPRING & CONTACT (3-REQUIRED)
P	151035-001	TERMINAL PANEL (EMPTY)
Q†	151205-001	RADIATOR (EMPTY)
R	208893-001	COIL SUPPORT (8-REQUIRED)
S†	000848-001	SLIP RING INSULATOR
T†	000807-001	STOP

\* D5000-B Coil Kit includes coil, stop, wire leads, brush assembly, and miscellaneous hardware.

\*\* D5000-B-VT is similar to a D5000-B unit except minus the following: Handwheel, Dial, Shaft, Screens, Feet and miscellaneous hardware.

† Refer to page 12.

*Continued next page...*



D5000-B2

# D5000-B

ITEM	PART NUMBER	DESCRIPTION
A†	017502-002	HANDWHEEL & POINTER
B†	000653-000	DIAL
C††	017560-007	D5000-B COIL KIT
D**†	150458-004	D5000-B-VT SECTION
E	017702-003	RB5000-B BRUSH ASSEMBLY
F†	151078-002	SCREEN (LARGE SECTION)
G†	151078-003	SCREEN (SMALL SECTION)
H†	126661-001-PA	TERMINAL BOX
I†	126662-001-PA	TERMINAL BOX COVER
J†	151151-002	MOUNTING FOOT
K†	018377-000	ILSCO COMMON LUG
L†	018376-001	ILSCO TERMINAL LUG
M	000909-003	SHAFT & COLLAR ASSEMBLY
N	000938-001	TANG ASSEMBLY
O	000939-000-BO	SPRING & CONTACT (3-REQUIRED)
P†	151035-001	TERMINAL PANEL (EMPTY)
Q	151205-001	RADIATOR (EMPTY)
R†	208893-001	COIL SUPPORT (8-REQUIRED)
S	000848-001	SLIP RING INSULATOR
T	000807-001	STOP

\* D5000-B Coil Kit includes coil, stop, wire leads, brush assembly, and miscellaneous hardware.

\*\* D5000-B-VT is similar to a D5000-B unit except minus the following: Handwheel, Dial, Shaft, Screens, Feet and miscellaneous hardware.

† Refer to page 10.