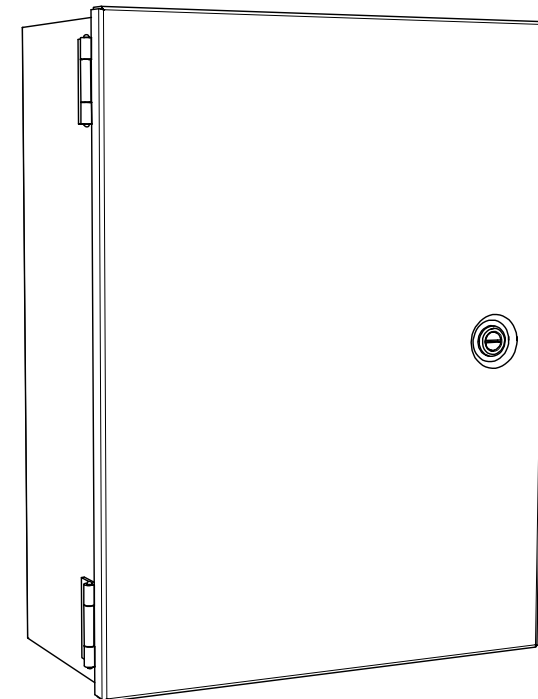
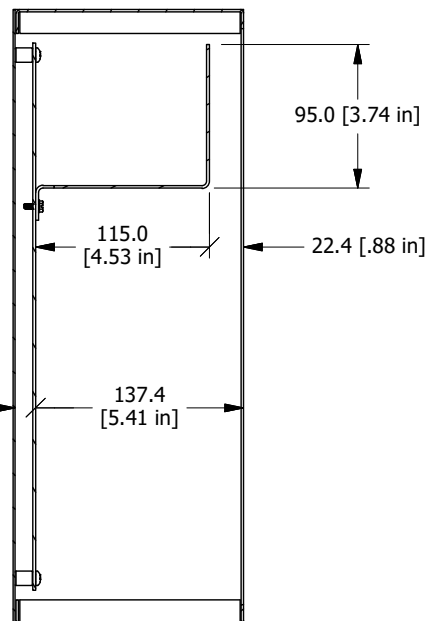
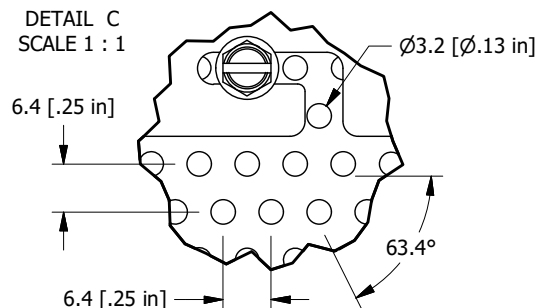


SECTION A-A
SCALE 1 / 5



DETAIL C
SCALE 1 : 1



SPECIFICATIONS

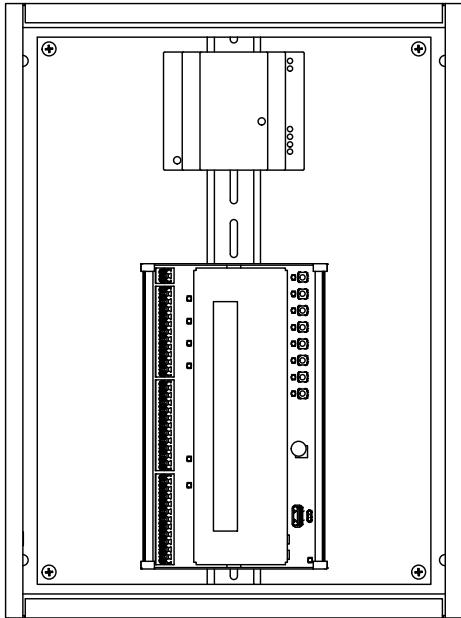
- NEMA Type 1 Surface Mount Enclosure
- Material: 16 Ga. steel, formed and spot welded
- Formed steel cover closes using slotted quarter turn latch
- Finish: Grey powder coating, ANSI 61
- DIN Rail Capacity:
Vertical: 1 x 360mm (14.25"), Horizontal: 3 x 260mm (10.25")
- DIN Rails and mounting screws included
- Weight: 8.2 kgs (18 lbs)

TITLE NEMA Type 1 Enclosure, 16x12"		SCALE 1 / 5	PROJECTION First Angle	UNITS MM	DATE 6/2/2017
DOC NO. D1002	PART NO. DE-1612	REV A	SIZE A	SHEET 1 OF 2	CREATED BY George Dejmal

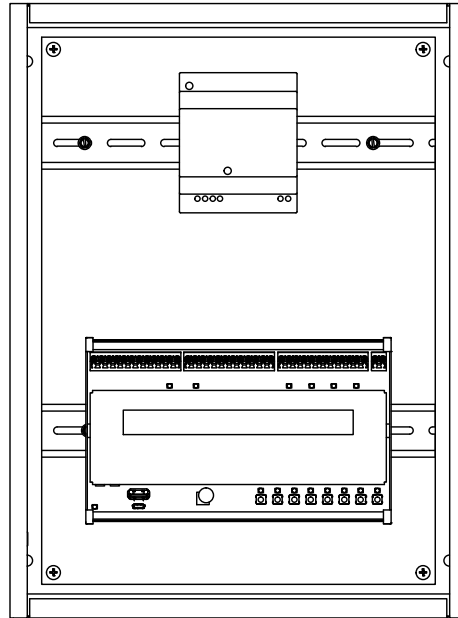
Interactive
TECHNOLOGIES

Interactive Technologies, Inc.
5295 Lake Pointe Center Drive, Suite 100
Cumming, GA 30041
Phone: 678-455-9019
www.interactive-online.com

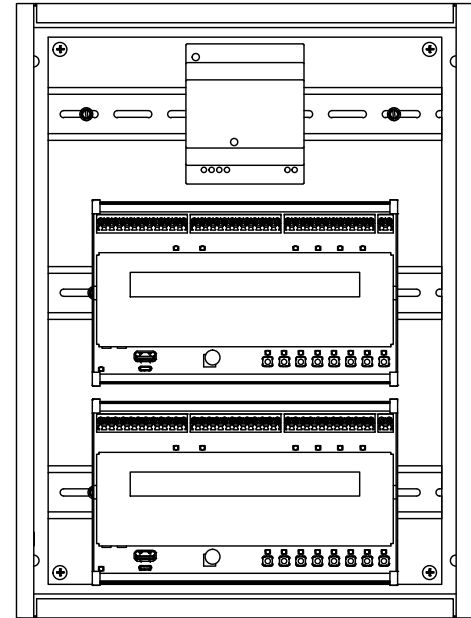
DIN Rail Configuration Examples



Example 1:
 - 1 x 14.25" vertical DIN Rail
 - pictured with DIN Power Supply
 and CueServer CS-940



Example 2:
 - 2 x 10.25" horizontal DIN Rails
 - pictured with DIN Power Supply
 and CueServer CS-940



Example 3:
 - 3 x 10.25" vertical DIN Rails
 - pictured with DIN Power Supply
 and (2x)CueServer CS-940

TITLE NEMA Type 1 Enclosure, 16x12"		SCALE 1 / 5	PROJECTION First Angle	UNITS MM	DATE 6/2/2017	Interactive Technologies, Inc. 5295 Lake Pointe Center Drive, Suite 100 Cumming, GA 30041 Phone: 678-455-9019 www.interactive-online.com
DOC NO. D1002	PART NO. DE-1612	REV A	SIZE A	SHEET 2 OF 2	CREATED BY George Dejmal	
