

Overview

Smart modules add additional functionality and connectivity to select CueServer 3 models by plugging them into an available module slot.

Use the **SM-108** module to interface devices that provide a contact-closure type of signal or require a short-to-ground style of input, such as switches, buttons, sensors, external relays, indicators, annunciators, projection screens, window coverings, security systems, fire prevention systems, and more to CueServer.

Each **SM-108** module adds 8 channels of Input/Output. Each channel can be software configured to be either a contact closure or voltage sensitive input or a digital short-to-ground output.

The **SM-108** is provided with a 12-position pluggable spring cage terminal block for easy field wiring. The terminals include the eight I/O channels, ground reference, convenience regulated +5VDC, and VIN.

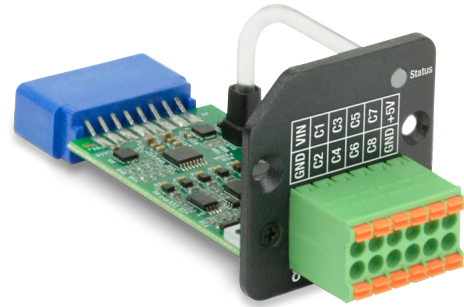
Additionally, an LED indicator on the module provides at-a-glance operational status.

Features

- Provides 8 channels of input/output
- Each channel software selectable between input or output
- Outputs can drive up to 500mA in a short-to-ground configuration
- Inputs can be configured in contact-closure mode or in analog voltage mode
- Built-in status indicator LED

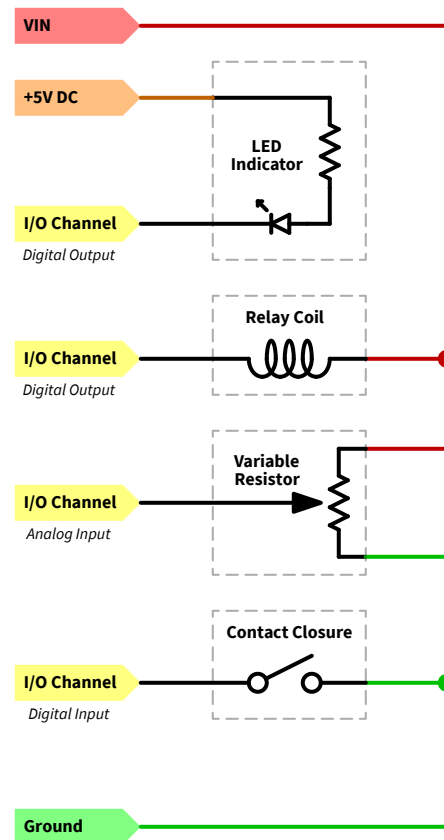
Ordering

SM-108 **8 Channel I/O Smart Module**
Includes 12-position pluggable terminal block



SM-108
8 Channel I/O Smart Module

Typical Customer Wiring



* VIN is electrically connected to the CueServer's low voltage DC Input voltage connector ("Voltage In").

Specifications subject to change without notice. Interactive Technologies is not responsible for errors or omissions. All trademarks are the property of their respective owners. Copyright © 2022-23, Interactive Technologies, Inc. All rights reserved worldwide. D0534B 2/7/2023

Interactive Technologies, Inc.

5295 Lake Pointe Center Drive
Cumming, GA 30041 USA
1-678-455-9019
interactive-online.com

Catalog #:

Project:

Prepared by:

Date: