

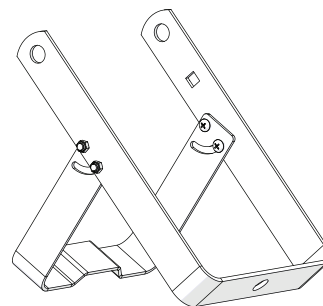
ETC Installation Guide

ColorSource PAR jr Floor Stand Yoke

Overview

The Floor Stand Yoke is an optional accessory for the ColorSource PAR jr that replaces the standard yoke with an expandable yoke for placing the fixture on the floor.

The expandable yoke can still be used for mounting the fixture on a pipe using a C-clamp or truss clamp.



WARNING: Disconnect the fixture from power and DMX and allow it to cool before installing accessories or performing any cleaning and maintenance.

AVERTISSEMENT : Débranchez le projecteur de son alimentation et du DMX et laissez-le refroidir avant d'installer des accessoires ou d'effectuer un nettoyage ou un entretien.



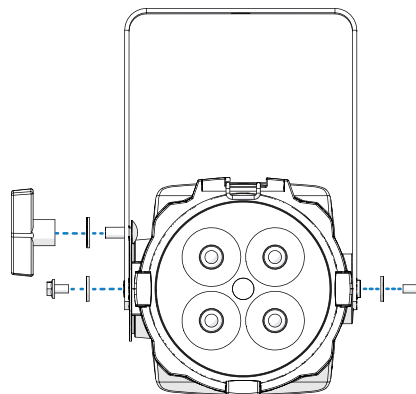
CAUTION: *When using the yoke as a floor stand, ensure that the yoke kickstand is open to the widest possible position for stability (see image above). The kickstand should be oriented toward the front of the fixture for maximum stability.*

Installation

Tools required: 10 mm wrench, 5 mm wrench, and Phillips screwdriver

Remove Standard Yoke

1. Remove the bolts, washers, and yoke locking knob that secure the yoke to the fixture.
2. Remove the yoke, but retain the yoke hardware for installing the Floor Stand Yoke.



ETC Installation Guide

ColorSource PAR jr Floor Stand Yoke

Install Floor Stand Yoke

1. Align the Floor Stand Yoke to the fixture.
2. Secure the yoke using the yoke locking knob, washers, and bolts from the original yoke. Make sure that the head of the bolt for the yoke locking knob captures the clutch plate (see image detail at right).
3. Loosen the screws on the yoke kickstand, extend the kickstand to its widest possible position, and then tighten the screws to secure it in place.
4. Use the yoke locking knob to adjust the tilt of the fixture in the yoke as needed.

