

ETC Installation Guide

ColorSource Relay Wall Mount Bracket Kit

The wall mount bracket provides a secure method for mounting a ColorSource Relay or Transmitter to a wall.

The wall mount kit ships with:

- The wall mount bracket
- Four M5 screws for mounting the bracket to the relay or transmitter
- This installation guide



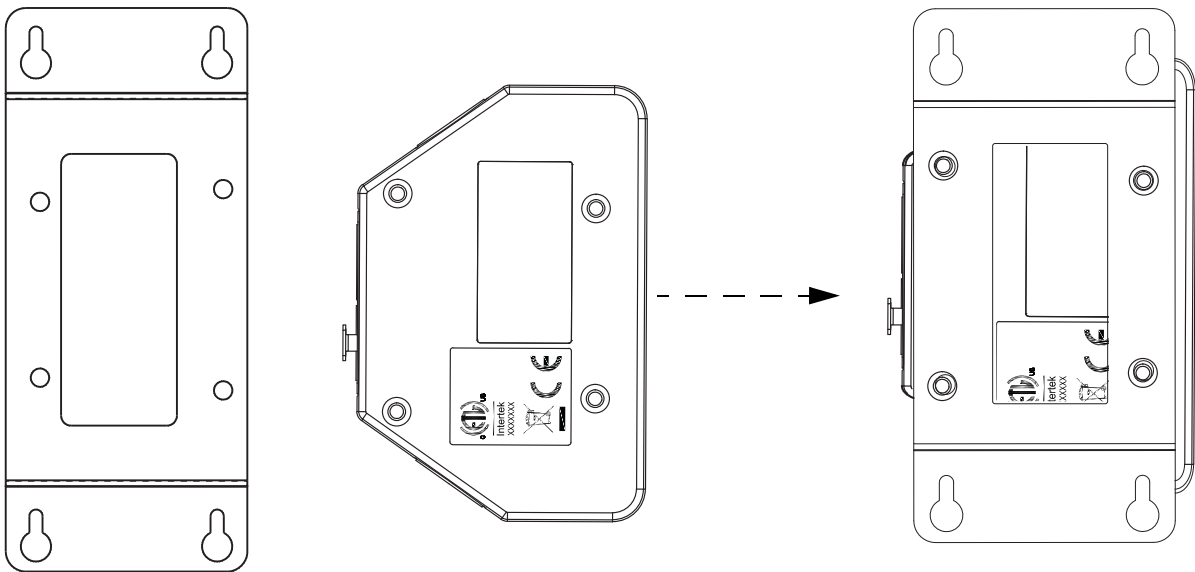
Note: *Four #8 pan head screws are required for mounting the bracket to a wall. These screws are **not** included in the kit.*

Installation

Step 1: Position the bracket on the relay or transmitter, making sure that the screw holes line up.



Note: *The screw holes are not symmetrical.*



Step 2: Using a Philips head screwdriver, attach the bracket to the relay with the included M5 screws.

Step 3: Mount the bracket in your desired location using four #8 pan head screws (not included).



Note: *See page 2 for a mounting template.*

ETC Installation Guide

ColorSource Relay Wall Mount Bracket

