

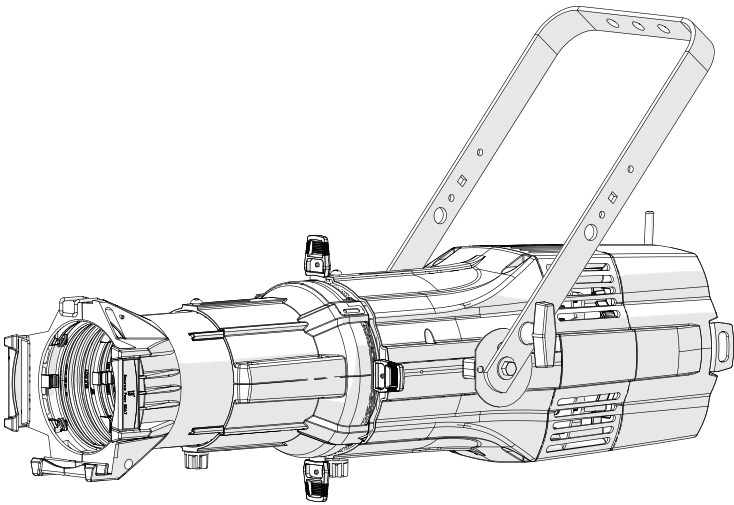
ETC Installation Guide

ColorSource Spot VXT

Overview

The ColorSource Spot VXT is an affordable LED fixture that uses the RGBIL (red, green, blue, indigo, and lime) color system to provide a rich, bright light. The fixture is IP65-rated for outdoor use, and features wireless DMX/RDM via Multiverse® for configuration and control, and NFC for configuration via the Set Light app.

This light engine can be used with standard ETC shutter barrels, lens tubes, CYC adapters, and accessories. Please note that the light engine **cannot** be used with standard ETC Fresnel adapters.



Note: Features described in this document require the latest version of software. For information on updating fixture software, see [Update the Fixture Software on page 11](#).



Corporate Headquarters ■ Middleton, WI, USA | +1 608 831 4116
Global Offices ■ London | Rome | Holzkirchen | Paris | Hong Kong | Dubai | Singapore
New York | Orlando | Los Angeles | Austin | © 2023 Electronic Theatre Controls, Inc.
Web etcconnect.com | Support support.etcconnect.com
Contact etcconnect.com/contactETC | Trademark and patent info: etcconnect.com/ip
Third-party license agreement info: etcconnect.com/licenses | Product information and specifications subject to change. ETC intends this document to be provided in its entirety.
7418M2100 Rev C Released 2023-11

ETC Installation Guide

ColorSource Spot VXT

Safety

For professional use only. Read the entire manual before using this equipment.



WARNING:

- Risk of eye injury. Do not stare directly into the light.
- Do not mount the fixture on or near a flammable surface.
- Do not install the fixture in an outdoor marine environment (within five kilometers [three miles] of a saltwater body of water).
- When the fixture is mounted, the axis between the yoke attachment points must be parallel to the ground. Mounting the fixture in a non-parallel orientation risks property damage or bodily injury.
- Disconnect the fixture from power and DMX and allow it to cool before installing accessories or performing any cleaning and maintenance.
- Do not use this fixture with a damaged power lead. If the power lead (cord set) is damaged, it must be replaced.
- To reduce the risk of strangulation, secure any fixture cords to the mounting structure if the cords are within arm's reach.

AVERTISSEMENT :

- Risque de lésion oculaire. Ne fixez pas directement la lumière.
 - Ne pas installer le projecteur sur ou à côté d'une surface inflammable.
 - Lorsque le luminaire est accroché, l'axe entre les points de fixation de la lyre doit être parallèle au sol. Le montage du luminaire dans une orientation non parallèle risque de causer des dommages matériels ou corporels.
 - Débranchez le projecteur de son alimentation et du DMX et laissez-le refroidir avant d'installer des accessoires ou d'effectuer un nettoyage ou un entretien.
 - Ne pas utiliser ce projecteur avec un cordon d'alimentation endommagé. Si le cordon d'alimentation (câble) est abîmé, il doit être remplacé.
 - Pour réduire le risque d'étranglement, fixez tous les câbles du luminaire à la structure de montage si les cordons sont à portée de main.
-

ETC Installation Guide

ColorSource Spot VXT



WARNING: RISK OF ELECTRIC SHOCK! The light source in this luminaire is not user-replaceable, and must be replaced only by a qualified technician. Contact ETC Customer Support for assistance.

AVERTISSEMENT : RISQUE DE DÉCHARGE ÉLECTRIQUE! La source lumineuse de ce projecteur n'est pas remplaçable par l'utilisateur et ne doit être remplacée seulement par un technicien qualifié. Contactez le service client ETC pour obtenir de l'assistance.



WARNING: RISK OF ELECTRIC SHOCK! The device must be earthed (grounded).

AVERTISSEMENT : RISQUE DE CHOC ÉLECTRIQUE!
L'appareil doit être mis à la terre.

RISK GROUP 2

CAUTION: Possibly hazardous optical radiation emitted from this product. Do not stare at operating lamp. May be harmful to the eyes.



CAUTION: *When using the ColorSource Spot VXT outdoors, use only Neutrik® TOP XLR and powerCON® TRUE1 TOP connectors. Outdoor use of the ColorSource Spot VXT with other connectors that are **not** IP65-rated will void the ETC warranty.*








Note:

- *DMX 512 connections must be Class 2.*
 - *To ensure that cumulative leakage current on control wiring does not exceed 3.5 mA, connect no more than 32 fixtures on a single DMX run.*
-

ETC Installation Guide

ColorSource Spot VXT

The following symbols may appear on product labeling.

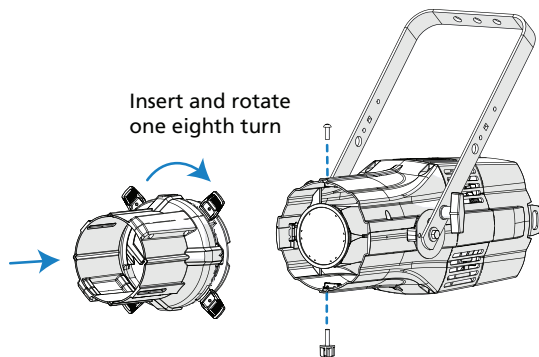
	The luminaire must be installed at least 0.22 m (8.7 in) away from all lighted objects.	Le luminaire doit être installé à au moins 0,22 m (8,7 po) de tout objet éclairé.
	Risk of electric shock	Risque de décharge électrique
	Do not stare at the operating light source.	Ne pas regarder la source de lumière lorsqu'elle fonctionne.
	This product should not be discarded as unsorted waste but must be sent to separate collection facilities for recovery and recycling.	Ce produit ne doit pas être jeté avec les déchets ménagers mais doit être déposé dans une collecte de déchets électroniques ou dans un point de collecte.
	Protective earth (ground)	Protection Classe I Mise à la terre

Installation

Install a Shutter Barrel

The ColorSource Spot VXT can be purchased with or without a shutter barrel. To install a shutter barrel you will need a #2 Phillips screwdriver (not provided).

The ColorSource light engine includes a barrel screw. The small screw used to secure the top of the shutter barrel is included with the shutter barrel.



1. Align the barrel to the front of the ColorSource Spot VXT and rotate it one eighth turn (45°) counter-clockwise before inserting.
2. Insert the shutter barrel into the front of the light engine and rotate clockwise until it is fully threaded onto the light engine.
3. Insert the barrel screw at the bottom of the light engine and tighten.
4. Insert the small screw into the top of the light engine and tighten using the Phillips screwdriver.

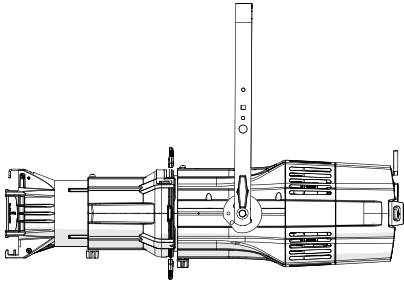
ETC Installation Guide

ColorSource Spot VXT

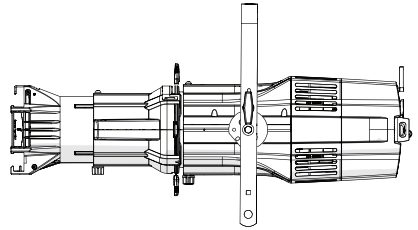
Mounting

The ColorSource Spot VXT ships with a standard yoke for mounting with a clamp. You can adjust the position of the yoke when necessary for low-clearance mounting.

Standard yoke position



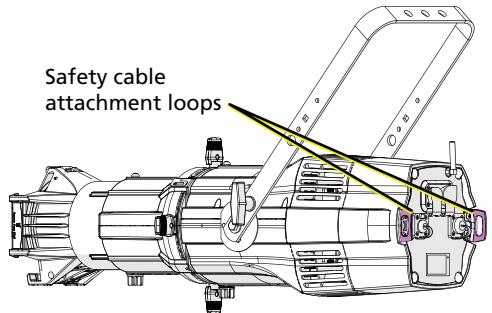
Low-clearance yoke position



Safety Cable

A safety cable (or other approved safety device) must be attached to the fixture. Attachment loops are on the rear of the fixture. Leave as little slack as possible in the safety cable to avoid catching the yoke of the fixture.

Safety cable attachment loops



Connectors

- **Power:** Two powerCON® TRUE1® connectors for power in and thru
- **Data (DMX512/RDM):** Two five-pin XLR connectors for data in and thru



Note: *The ColorSource Spot VXT is not self terminating. You must terminate the last fixture in line with a 120 Ohm resistor. To purchase a terminator, please contact ETC customer service and request part number 7418K1006 (XLR terminator).*



CAUTION: *When using the ColorSource Spot VXT outdoors, use only Neutrik® TOP XLR and powerCON® TRUE1 TOP connectors. Outdoor use of the ColorSource Spot VXT with other connectors that are **not** IP65-rated will void the ETC warranty.*

ETC Installation Guide

ColorSource Spot VXT

Set Up the Fixture

1. Plug the power cord into the powerCON TRUE1 In connector on the rear of the fixture.
2. Make any power-thru cable connections prior to applying a power source.
3. Make any DMX connections, and if the fixture is the last in a DMX line, terminate the fixture. See [Connectors on the previous page](#).
4. Plug the power cord into the power source.

Adjust the Tilt

The fixture can be tilted up and down and rotated (panned) as needed.

1. Loosen, but do not remove the yoke locking knobs.
2. Tilt the fixture to the desired angle.
3. Tighten the yoke locking knobs.

Configure Fixtures Using the Set Light App

Download the Set Light app to a smartphone with NFC functionality, use the app to set fixture parameters, and then tap the smartphone to the NFC tag on the fixture to configure it wirelessly—even when the fixture is not powered on. Or, after you configure the Multiverse settings on the fixture, use the Set Light app to configure one fixture or multiple fixtures wirelessly from a smartphone or tablet.



Set Light

Visit etconnect.com/Apps or scan the code for more information about the Set Light app.

After you tap the NFC tag with a new configuration, the indicator light next to the NFC tag flashes three times to indicate that the fixture has received the configuration data.

Set Up Multiverse Wireless Communication

You can use a City Theatrical Multiverse® transmitting device to wirelessly configure and control the fixture. For information on using Multiverse products, see the documentation provided with the products.



Note: For additional guidance and troubleshooting resources when setting up your wireless system, download the Multiverse Wireless Setup Information Guide at etconnect.com.

Use the Set Light app to configure the following settings. See [Configure Fixtures Using the Set Light App above](#).

ETC Installation Guide

ColorSource Spot VXT

Multiverse Settings

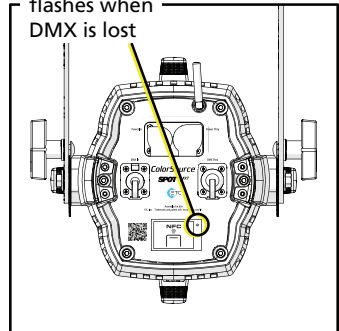
Setting	Values	Description
Universe	001–999 (Default = 001)	Set the Universe value.
Multiverse	<ul style="list-style-type: none">Off (Default)On	Turns on or turns off power to the Multiverse radio.
Multiverse SHoW ID	<ul style="list-style-type: none">24100–24359 (Default = 24100)101–204 (NEO SHoW IDs)	Set the value of the SHoW ID. This value must match the SHoW ID value on the Multiverse transmitting device.
Multiverse SHoW Key	000–500 (Default = 000)	Set the SHoW Key value. This value must match the SHoW Key value on the Multiverse transmitting device.

Connection Status

The indicator light next to the NFC tag shows the current status of DMX data:

- **On solid:** Connected to a transmitter and receiving data. The solid light turns off after 30 seconds.
- **Flashing steadily:** Not receiving DMX data.

Indicator light flashes when DMX is lost



Set the DMX Address and DMX Control Mode

Set the DMX address and DMX control mode using RDM or the Set Light app. You can set the DMX control mode for the fixture to one of five available mode options.

- **Standard:** Intensity, red, green, blue, strobe, and fan. This is the default mode.
- **Direct:** Direct emitter control of intensity, red, green, blue, indigo, lime, strobe, and fan.
- **1-channel:** Controls the intensity of preset 1 (defaults to 3200 K White).
- **RGB:** Red, green, and blue.
- **5-channel:** 5-channel mode (intensity, red, green, blue, and strobe). This mode uses the legacy white point (5400 K) and strobe function from the original ColorSource family.

ETC Installation Guide

ColorSource Spot VXT

DMX Control Channels

DMX Channel	Standard	Direct	1 Channel	RGB	5 Channel
1	Intensity	Intensity	Intensity	Red	Intensity
2	Red	Red		Green	Red
3	Green	Green		Blue	Green
4	Blue	Blue			Blue
5	Strobe*	Indigo			Strobe*
6	Fan*	Lime			
7		Strobe*			
8		Fan*			

* See [DMX Parameter Values on the facing page](#) for the DMX values that set these parameters.

ETC Installation Guide

ColorSource Spot VXT

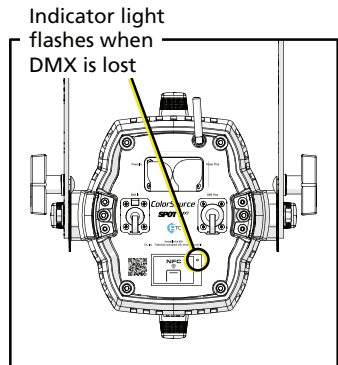
DMX Parameter Values

Parameter	DMX Value	Description	Comments
Fan	0–9	Auto	As fixture temperature increases, the fan speed increases to accommodate it.
	10–19	Off	When the fixture gets too hot, the fixture reduces the intensity instead of turning on the fan.
	20	Slow	Minimum fan speed
	21–248	Linear Increase in Speed	Fan speed remains constant, and intensity is reduced as needed when the fixture gets too hot.
	249	Fast	Maximum fan speed (100%)
	250–255	Auto	
Strobe	0	No Strobe	Shutter open
	1–40	Dark Strobe	Range is 1–40 Hz.
	41–80	Bright Strobe	Range is 1–40 Hz.
	81–120	Pulse Strobe	Strobe includes a fade up and fade down on each pulse.
	121–160	Random Strobe	Strobe pulses at random intervals.
	161–200	Flicker Effect	Strobe pulses at random intervals and at random intensity levels.
	201–240	No Strobe	Shutter open
	241–254	LEDs Off	Shutter closed
	255	No Strobe	Shutter open

Data Loss Behavior

When DMX data is lost, the fixture does one of the following actions:

- If you selected a preset or sequence, that preset or sequence automatically plays.
- If no preset or sequence is active in the background, the fixture goes dark and the indicator light flashes on the fixture.



ETC Installation Guide

ColorSource Spot VXT

Play Presets and Sequences

The fixture has twelve factory-configured presets and five factory-configured sequences. When you play a preset or sequence on a fixture:

- The same preset number or sequence number plays on any connected fixtures that are not receiving DMX.
- If you power down the fixture, the preset or sequence resumes when you power it on again.

You can modify presets and sequences using RDM.

Pre-configured Presets

Preset	Name
1	3200 K White
2	5600 K White
3	Red
4	Green
5	Blue
6	Cyan

Preset	Name
7	Magenta
8	Yellow
9	Orange
10	Light Yellow
11	Light Blue
12	Light Pink

Pre-configured Sequences

Sequence	Name
1	Rainbow Fast
2	Rainbow Slow
3	Warm Colors Fast
4	Cool Colors Fast
5	Random

ETC Installation Guide

ColorSource Spot VXT

Troubleshooting

Update the Fixture Software

ETC recommends using UpdaterAtor software to manage software updates. For information on UpdaterAtor, see the *UpdaterAtor Software Quick Guide* and the *UpdaterAtor Software Release Note*, which you can download from etconnect.com.

When the fixture is receiving or copying fixture software, the indicator LED flashes rapidly. Please note that it may require up to five minutes after UpdaterAtor successfully sends the software update for the fixture to complete the update and for the indicator LED to stop flashing.

Restore Factory Defaults

Use the Set Light app to restore the factory defaults. See [Configure Fixtures Using the Set Light App on page 6](#).

Error Conditions

The indicator light next to the NFC tag flashes to alert you to the following error conditions.

Repeating Flash Pattern (Flashes Followed by a Pause)	Error Condition
One flash	Data loss. See Data Loss Behavior on page 9 .
Two short flashes	The upgraded fixture has a software issue. Reload software to clear the error. If the error persists, contact ETC Technical Support (visit etconnect.com/contactETC).
Three short flashes	Download error. Reload software to clear the error. If the error persists, contact ETC Technical Support (visit etconnect.com/contactETC).
Four short flashes	The fixture has gone into over-temperature protection mode to avoid damaging the fixture. Once the fixture has self-cooled, the error will automatically clear. If the error does not clear, contact ETC Technical Support (visit etconnect.com/contactETC).
Five short flashes	Fixture has a problem with the color calibration. The fixture will need to be returned to the ETC factory; contact your local dealer to set up a repair.

ETC Installation Guide

ColorSource Spot VXT

Specifications and Reference

For current and complete compliance and specifications, see the ColorSource Spot VXT datasheet at etconnect.com.

Environment

The ColorSource Spot VXT operates in ambient temperatures of -20°C–40°C and comes with a variable-speed fan.

- Maximum recommended ambient operating temperature:
Ta = 40°C (104°F)
- Maximum anticipated external surface temperature at 40°C ambient: Tmax = 62°C (143°F)
- External temperatures after 5 minutes of full-brightness operation at 25°C (77°F) ambient: 35°C (96°F)
- External Temperature (steady state achieved) at 25°C (77°F): 47°C (116°F)

Electrical

- Operates between 100 V and 240 VAC at a frequency of 50/60 Hz.
- Maximum power consumption is 241 W.
- Up to 5 luminaires (15 A max) may be linked via power thru connector (6 luminaires total per circuit) when used with an R20 Relay Module or Unison Echo Relay Panel. Consult breaker trip curves when used with other equipment. Requires power from a non-dimmable source.
- Inrush:
 - 120 V: 7 A (first half-cycle)
 - 240 V: 20 A (first half-cycle)

Typical Power Consumption

	100 V		120 V		230 V	
	Power	Current	Power	Current	Power	Current
Idle	3.6 W	0.1 A	3.6 W	0.11 A	2.9 W	0.17 A
Direct at Full	240.8 W	2.45 A	238.5 W	2.02 A	236 W	1.06 A

ETC Installation Guide

ColorSource Spot VXT

RDM Values

Parameter	Value	Description
Manufacturer ID	0x6574	Electronic Theatre Controls
Model ID	0x0288	ColorSource Spot VXT (MV)
	0x0289	ColorSource Spot VXT
DMX Start Address	0x00F0	Range = 1–512
DMX Personality	0x00E0	1 = Standard 2 = Direct 3 = 1 Channel 4 = RGB 5 = 5 Channel
Output Frequency	0x8123	0 = Standard (5 kHz) 1 = High (25 kHz)
Multiverse Universe*	0x8C05	Set the Universe value.
Multiverse SHoW ID*	0x8C00	Set the SHoW ID value. This value must match the SHoW ID value on the Multiverse transmitting device.
Multiverse SHoW Key*	0x8C03	Set the SHoW Key value. This value must match the SHoW Key value on the Multiverse transmitting device.
Multiverse Radio Strength (Enable)*	0x8C04	0 = Off 1 = Low 2 = Medium 3 = High 4 = Maximum

*Multiverse parameters are applicable only to the ColorSource Spot VXT fixture with the optional Multiverse wireless DMX.

ETC Installation Guide

ColorSource Spot VXT

FCC Compliance

ColorSource Spot VXT

(For any FCC matters):

Electronic Theatre Controls, Inc.
3031 Pleasant View Road
Middleton, WI 53562
+1 (608) 831-4116
etconnect.com

This device complies with Part 15 of the FCC Rules. Operation is subject to the following two conditions: (1) this device may not cause harmful interference, and (2) this device must accept any interference received; including interference that may cause undesired operation. Visit etconnect.com/products for current and complete compliance information including FCC compliance.



Note: *This equipment has been tested and found to comply with the limits for a Class A digital device, pursuant to Part 15 of the FCC rules. These limits are designed to provide reasonable protection against harmful interference when the equipment is operated in a commercial environment. This equipment generates, uses, and can radiate radio frequency energy and, if not installed and used in accordance with the instructions, may cause harmful interference to radio communications. Any modifications or changes to this product not expressly approved by Electronic Theatre Controls, Inc. could void the user's authority to operate the product. Operation of this equipment in a residential area is likely to cause harmful interference, in which case the user will be required to correct the interference at their own expense.*

This device contains a wireless module with the following identification numbers:

FCC ID: VU65995

ETC Installation Guide

ColorSource Spot VXT

ISED Compliance

This device contains a license-exempt transmitter/receiver that complies with Innovation, Science, and Economic Development Canada's license-exempt RSSs. Operation is subject to the following two conditions:

1. This device may not cause interference.
2. This device must accept any interference, including interference that may cause undesired operation of the device.

Contains IC ID: 7480A-5995

CAN ICES-005 (A)

Conformité ISDE

Cet appareil contient un émetteur/récepteur conforme aux CNR d'Innovation, Sciences et Développement économique Canada (ISDE) applicables aux appareils radio exempt de licence. Son fonctionnement est soumis aux deux conditions suivantes:

1. L'appareil ne doit pas produire d'interférences.
2. L'utilisateur de l'appareil doit accepter toute interférence, même si l'interférence est susceptible d'en compromettre le fonctionnement.

Contient ID IC: 7480A-5995

CAN NMB-005 (A)

Licensed Software

This product uses licensed software provided by third parties. Please visit etcconnect.com/licenses for licensing information.

ETC Installation Guide

ColorSource Spot VXT
