

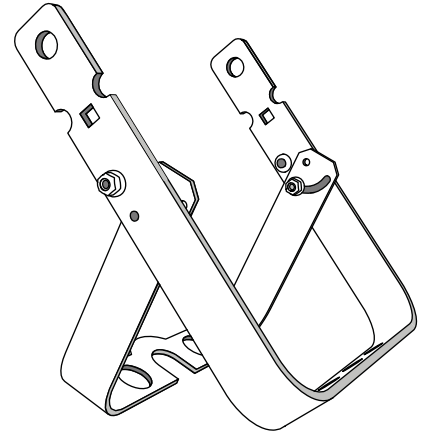
ETC Installation Guide

ColorSource® PAR Floor Stand Kit

Overview

The Floor Stand Kit is an optional accessory for the ColorSource PAR that replaces the standard yoke with an expandable yoke for placing the fixture on the floor.

The expandable yoke allows for mounting flexibility without having to remove it when mounting on a pipe using a C-clamp or truss clamp.



WARNING: Disconnect the fixture from power and DMX and allow it to cool before performing any modifications such as yoke installation.

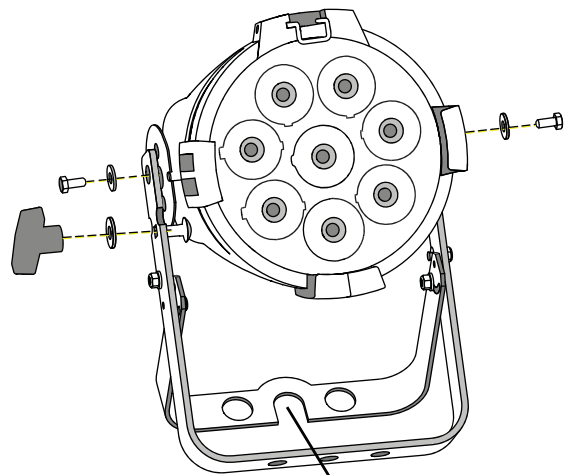
Installation

Remove existing yoke

- 1: Remove the two bolts and the T-handle that secure the yoke to the fixture.
- 2: Once the yoke is free, remove the yoke from the fixture.

Install floor stand

- 1: Align the floor-stand yoke to the fixture.
- 2: Install the original bolts and T-handle as shown in the image at right.
- 3: Tighten bolts to secure the yoke to the fixture.



Notch accommodates C-clamp bolt when pipe-mounted



Corporate Headquarters ■ Middleton, WI, USA ■ Tel +608 831 4116 ■ Service: (Americas) service@etcconnect.com

London, UK ■ Tel +44 (0)20 8896 1000 ■ Service: (UK) service@etcceurope.com

Rome, IT ■ Tel +39 (06) 32 111 683 ■ Service: (UK) service@etcceurope.com

Holzkirchen, DE ■ Tel +49 (80 24) 47 00-0 ■ Service: (DE) techserv-hoki@etcconnect.com

Hong Kong ■ Tel +852 2799 1220 ■ Service: (Asia) service@etcasia.com

Web: etcconnect.com ■ © 2017 Electronic Theatre Controls, Inc.

Product information and specifications subject to change. ETC intends this document to be provided in its entirety.

7412M2110 ■ Rev C ■ Released 2017-02