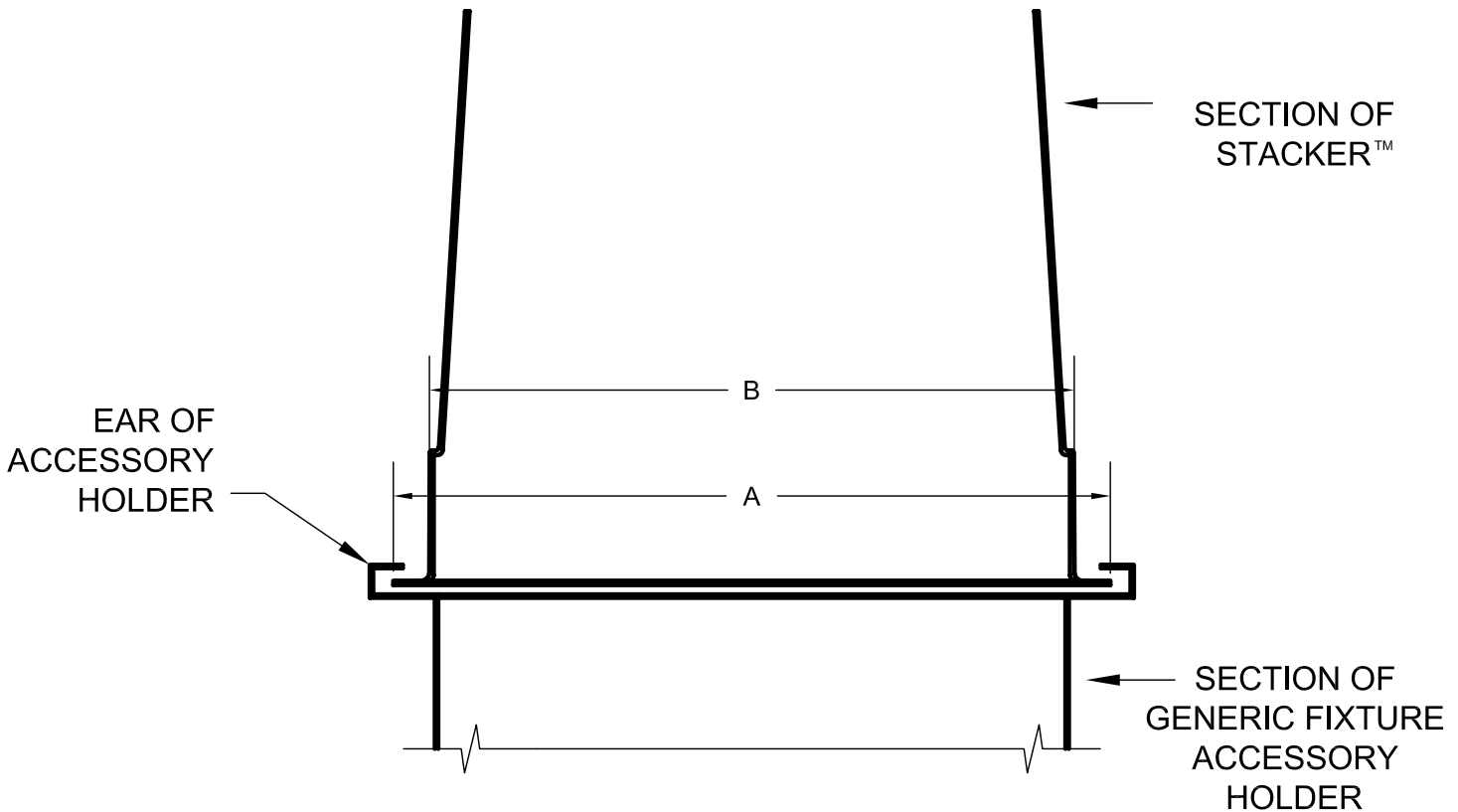


# HOW DO I KNOW IF A STACKER™ WILL FIT MY LIGHTING FIXTURE?

To make sure City Theatrical's Stackers™ will fit your lighting fixture, measure your fixture's accessory holder and compare with the dimensions shown below. You will need the inner dimension of the accessory slot and the shortest distance between the accessory slot ears on your fixture. Dimension A of the Stacker™ is the outer dimension of the flange, and dimension B is the clear distance required between the ears on the accessory holder of your instrument.



STACKER™ #	A	B
2840	6 <sup>5</sup> / <sub>16</sub> "	5 <sup>1</sup> / <sub>2</sub> "
2850	7 <sup>1</sup> / <sub>2</sub> "	6 <sup>3</sup> / <sub>4</sub> "
2860	10"	9"
2870	12"	10 <sup>13</sup> / <sub>16</sub> "
2880	14"	12 <sup>7</sup> / <sub>8</sub> "

NOTE: CTI's 2850 SERIES STACKERS™ CURRENTLY DO NOT FIT THE ETC 14°, 70°, OR 90° DUE TO THE ROUNDED CUT ON THE ACCESSORY HOLDER.