



Chroma-Q™
BRILLIANT SOLUTIONS

Specification Sheet - Version: 1.0
Chroma-Q™ Studio Force V 12™
Variable White LED Fixture
Part No: CHSFV12NF

DESCRIPTION

The fixture shall provide a very powerful 5,300 hot lumens output for washing large areas.
The fixture shall be suitable for creating a wide range of lighting applications, including key-lighting, uplighting, backlighting and wash applications.
The fixture shall be suitable for floor, wall or truss mounting.
The fixture shall provide 3,000K - 6,100K CCT variable white light output.
The fixture shall provide a CRI of 80.
The fixture shall provide a smooth, linear dimming curve.
The fixture shall feature a built-in stand-alone mode.
The fixture shall feature a built-in power supply.
The fixture shall be manufactured from extruded material.

FEATURES

- 3,000K - 6,100K CCT variable white
- Extreme output - 5,300 lumens
- Extremely smooth, uniform wash
- Theatrical grade dimming
- Ideal for TV, film, touring, exhibitions, corporate events and theatre
- 300mm / 1ft length ideal for floor, wall or truss mounting
- Camera friendly
- Laboratory calibrated 3200oK and 5600oK presets
- PowerCon input and output for easy daisy chaining of fixtures
- "Broad range of accessories available, including lightbank kit and barn door"
- Flat end plates for seamless wall-washing
- Built-in power supply
- Hidden quick release fixings
- Rugged extruded aluminium body

ORDERING INFORMATION

CHSFV12NF: Chroma-Q Studio Force V 12, body finished in black:

ACCESSORIES

- CHCFCL12: Chroma-Q Cyc Lens For Force 12
- CHCFBL12: Border Light Lens For Force 12
- CHCFSA12: Chroma-Q Spigot Adaptor For Force 12
- CHCFECL12: Chroma-Q Egg Crate Louver For Force 12
- CHCFTH12: Chroma-Q Top Hat For Force 12
- CHCFHTH12: Chroma-Q Half Top Hat For Force 12
- CHCFBD12: Chroma-Q Barn Door For Force 12
- CHCFDBX: Chroma-Q Diffuser Box For Force 12
- CHCFLBA12: Chroma-Q Lightbank Adaptor For Force 12

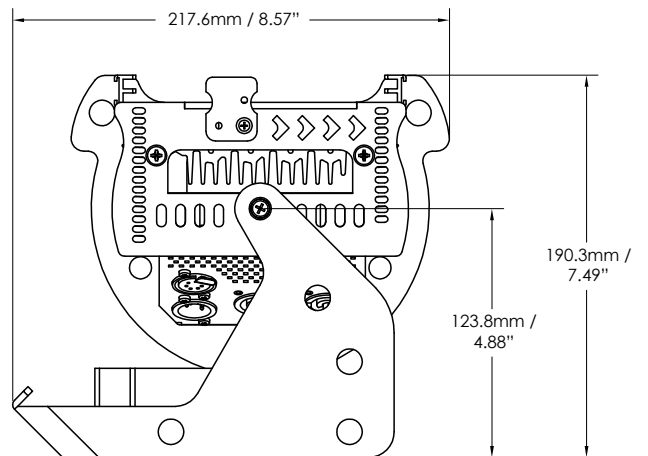
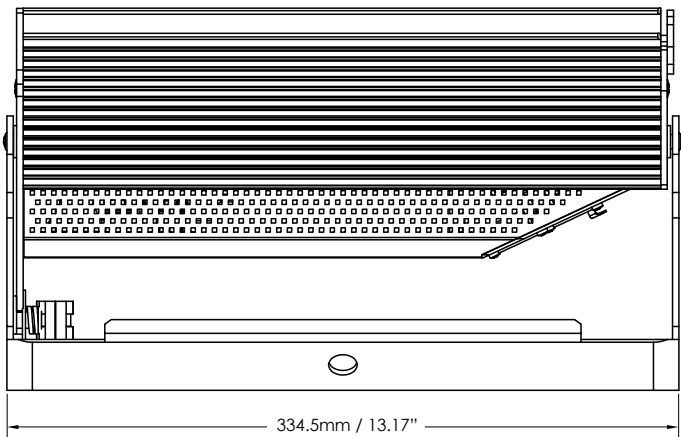
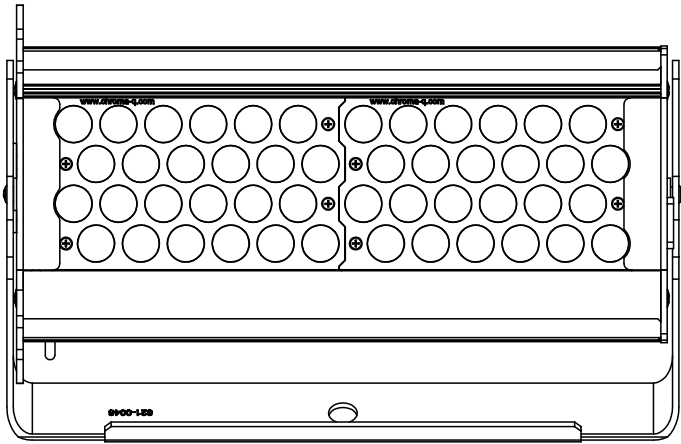
OVERALL SPECIFICATIONS

Net dimensions (without fixings):	Width: 335mm / 13.2" Height: 190mm / 7.5" Depth: 218mm / 8.6"
Net weight:	4kgs / 9lbs
Shipping dimensions:	Width: 432mm / 17" Height: 343mm / 13.5" Depth: 279mm / 11"
Shipping weight:	6kgs / 13lbs
Power supply:	Built-in
Power input rating:	100-240V AC, 50-60 Hz, 160VA
Power factor:	0.997
Power consumption:	150W
Typical power & current:	Measurements done with all LEDs at max. intensity. Measurements made at nominal voltage. Allow for a deviation of +/- 10%
Power connector in/out:	PowerCon
Data connector in/out:	XLR 5-pin
Control protocol:	ANSI E1.11 DMX-512A, XLR5 in / through
Cooling system:	Forced - 1 fan
Operating temperature:	0°C to 40°C
Construction:	Black anodised aluminium extrusion
Colour:	Black
Built in hardware:	Quick release lever for tilt adjustment
IP Rating:	IP20
Approvals:	CISPR 22 :2006/EN55022 :2006 & CISPR 24 :1997/ EN55024 :1998, ICES-003 :2004 & FCC Part 15 Subpart B: 2007, CSA C22. No. 166-M1983:R2008 UL 1573:2003; UL 8750
LED engines:	2
LEDs per engine:	12 Cold White / 12 Warm White
Total LEDs:	48
Control modes:	8 channels WWWW, 3 channels sWWCW, 2 channels WW/CW, 2 channels CTI, 1 channel Look Select, Master Standalone, Slave Standalone, Manual
Diming Curve:	Theatrical
Variable effects engine:	Yes
Effects parameters:	Intensity Effects
Hot Lumen output:	White 5,300 hot lumens @ 4,200K
CRI:	≥80
Optics:	Specialised close focus lens
Beam angle:	~23°
Beam Angle With Optional Cyc Optic:	80 x 30° (approx.)
Beam Angle With Optional Border Optic:	60° (approx.)
Beam distribution:	Asymmetrical direct illumination
CCT:	3,000K - 6,100K
Lamp life:	L70 at 50,000 hours
Colour Gamut:	Performance enhanced



Chroma-Q™
BRILLIANT SOLUTIONS

Specification Sheet - Version: 1.0
Chroma-Q™ Studio Force V 12™
Variable White LED Fixture
Part No: CHSFV12NF



Chroma-Q and all associated product names are recognised trademarks, for more information visit www.chroma-q.com/trademarks. The rights and ownership of all trademarks are recognised. The information contained herein is correct at the time of printing, however as we are constantly refining our product range we reserve the right to change the specification without notice. E&OE.