



**Chroma-Q**<sup>®</sup>  
BRILLIANT SOLUTIONS

**Specification Sheet - Version: 1.1**  
**Chroma-Q<sup>®</sup> Studio Force T 12<sup>TM</sup>**  
**Extreme Output Tungsten White LED Fixture**  
**Part No: CHSFT12NF**

**DESCRIPTION**

The fixture shall provide a very powerful 5,000 hot lumens output for washing large areas.  
The fixture shall be suitable for creating a wide range of lighting applications, including key-lighting, uplighting, backlighting and wash applications.  
The fixture shall be suitable for floor, wall, stand or truss mounting.  
The fixture shall provide 3,000K CCT tungsten white light output.  
The fixture shall provide a CRI of  $\geq 80$ .  
The fixture shall provide a smooth, linear dimming curve.  
The fixture shall feature a built-in stand-alone mode.  
The fixture shall feature a built-in power supply.  
The fixture shall be manufactured from extruded material.

**FEATURES**

- 3,000K CCT tungsten white
- Extreme output – 5,000 lumens
- Extremely smooth, uniform wash
- Theatrical grade dimming
- Ideal for TV, film, touring, exhibitions, corporate events and theatre
- 335mm / 1ft\* length ideal for floor, wall, stand or truss mounting
- Camera friendly
- PowerCon input and output for easy daisy chaining of fixtures
- Broad range of accessories available, including lightbank kit and barn door
- Flat end plates for seamless wall-washing
- Built-in power supply
- Hidden quick release fixings
- Rugged extruded aluminium body

**ORDERING INFORMATION**

CHSFT12NF: Chroma-Q Studio Force T 12, body finished in black

**ACCESSORIES**

- CHCFCL12: Chroma-Q Cyc Lens For Force 12
- CHCFBL12: Chroma-Q Border Light Lens For Force 12
- CHCFSA12: Chroma-Q Spigot Adaptor For force 12
- CHCFECL12: Chroma-Q Egg Crate Louver For Force 12
- CHCFTH12: Chroma-Q Top Hat For Force 12
- CHCFHTH12: Chroma-Q Half Top Hat For Force 12
- CHCFBD12: Chroma-Q Barn Door For Force 12
- CHCFDBX: Chroma-Q Diffuser Box For Force 12
- CHCFLBA12: Chroma-Q Lightbank Adaptor (Speedring) For Force 12
- CHCFLB12: Chroma-Q Lightbank For Force 12
- CHCFLBK-K: Chroma-Q Lightbank Kit+ For Force 12 (consists of Lightbank Adaptor (Speedring) & Lightbank)

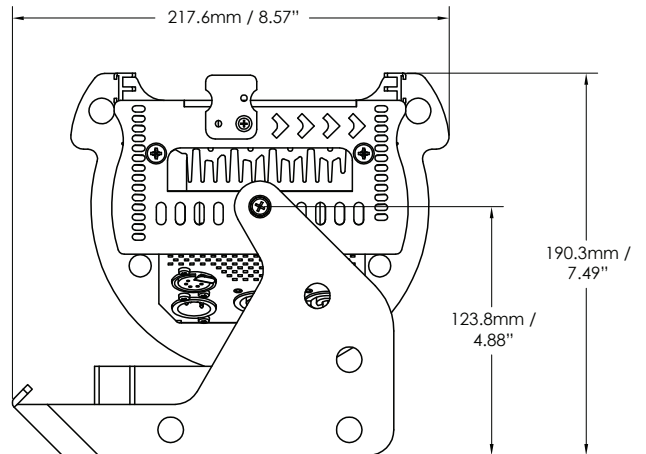
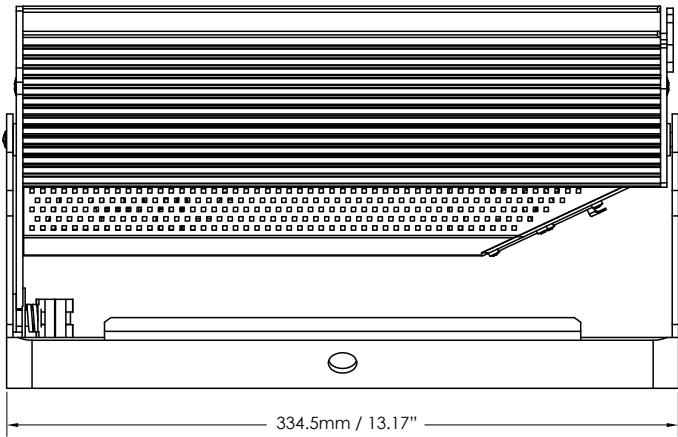
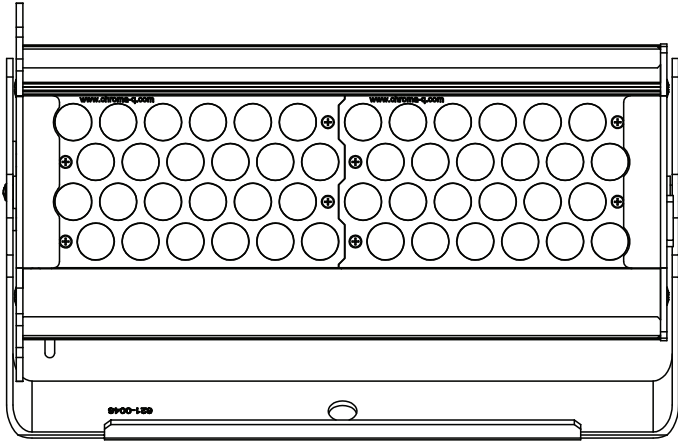
**OVERALL SPECIFICATIONS**

Net dimensions (without fixings):	Width: 335mm / 13.2" Height: 190mm / 7.5" Depth: 218mm / 8.6"
Net weight:	4kgs / 9lbs
Shipping dimensions:	Width: 432mm / 17" Height: 343mm / 13.5" Depth: 279mm / 11"
Shipping weight:	6kgs / 13lbs
Power input rating:	100-240V AC, 50-60 Hz, 160VA
Power factor:	0.997
Control protocol:	ANSI E1.11 USITT DMX 512-A
Power consumption:	150W
Typical power & current:	Measurements done with all LEDs at max. intensity. Measurements made at nominal voltage. Allow for deviation of +/- 10%
Power connectors in/out:	PowerCon
Data connector in/out:	XLR 5-pin
Cooling system:	Forced - 1 fan
Operating temperature:	0°C - 40°C
Construction:	Black anodised aluminium extrusion
Colour:	Black
Built in hardware:	Quick release lever for tilt adjustment
IP Rating:	IP20
Approvals:	CISPR 22 :2006/EN55022 :2006 & CISPR 24 :1997/EN55024 :1998, ICES-003 :2004 & FCC Part 15 Subpart B: 2007, CSA C22. No. 166-M1983:R2008 UL 1573:2003; UL 8750
LED engines:	2
LEDs per engine:	24 Warm White
Total LEDs:	48
Control modes:	8 channels Dim8x, 2 channels FxDim, 2 channels Dim2x, 1 channel Dim1x, 1 channel Look Select, Master Standalone, Slave Standalone, Manual
Diming Curve:	Theatrical
Variable effects engine:	Yes
Effects parameters:	Intensity Effects
Hot Lumen output:	5,000 hot lumens
CRI:	$\geq 80$
Optics:	Specialised close focus lens
Beam angle:	~23°
Beam Angle With Optional Cyc Optic:	80 x 30° (approx.)
Beam Angle With Optional Border Optic:	60° (approx.)
Beam distribution:	Asymmetrical direct illumination
CCT:	3,000K
Lamp life:	L70 at 50,000 hours
Colour Gamut:	Performance enhanced



**Chroma-Q**<sup>®</sup>  
BRILLIANT SOLUTIONS

**Specification Sheet - Version: 1.1**  
**Chroma-Q<sup>®</sup> Studio Force T 12<sup>™</sup>**  
**Extreme Output Tungsten White LED Fixture**  
**Part No: CHSFT12NF**



Chroma-Q and all associated product names are recognised trademarks, for more information visit [www.chroma-q.com/trademarks](http://www.chroma-q.com/trademarks). The rights and ownership of all trademarks are recognised. The information contained herein is correct at the time of printing, however as we are constantly refining our product range we reserve the right to change the specification without notice. E&OE.