

Job Name:	Catalog #:
Date:	Notes:

ARCHITAINMENT LIGHTING CONTROLLER

CHOREO™ eDIN



PRODUCT OVERVIEW

Choreo™ eDIN is a headless playback controller for DMX512 lighting systems compatible with all Pathway eDIN system enclosures, Pathport gateways and Via switches. Using a laptop or tablet you have full, live control of Choreo's natural language interface making the selection of lights, adjustment of their attributes, and the recording of reference libraries, memories and cues fast and simple. Once programmed, use Pathway NSB wallstations to trigger Memories or Cues. Other events can be triggered from the astronomical clock.

FEATURES

- Up to 2048 outputs - 1024 directly from Choreo eDIN
- Power-over-Ethernet operation simplifies installation and remote control using any VNC client
- No hard limits on number of memories, cues, chases or play-backs
- Pathport Protocol, ANSI E1.31 sACN, Art-Net, KiNET
- Natural language control uses "real-world" terms and labels instead of channel numbers and data-level values
- Edit all show attributes including color, intensity, position and timing from the touchscreen without a computer or console
- Continually updated fixture library, currently with over 2500 commonly available, multiple-attribute lights
- On-Line manual context-sensitive Help Overlays provide assistance without interrupting workflow
- Timecode-based playback and astronomical or time clock event triggering
- USB port for updates and showfile backup
- Seamless file transfer with Cognito² lighting consoles
- Free downloadable off-line editor (OLE) for Windows and Mac

SPECIFICATIONS

- PoE or regulated 24VDC power supply
- 15 watts maximum power consumption
- Operating Conditions: 32°F-105°F (0°C to 40°C); 10-90% relative humidity, non-condensing
- VNC viewer with network access to Choreo eDIN needed. Suggested viewer for iOS, Android and Windows Phone devices is Mocha. For MacOS, use Chicken; and for Windows, use Tiger.

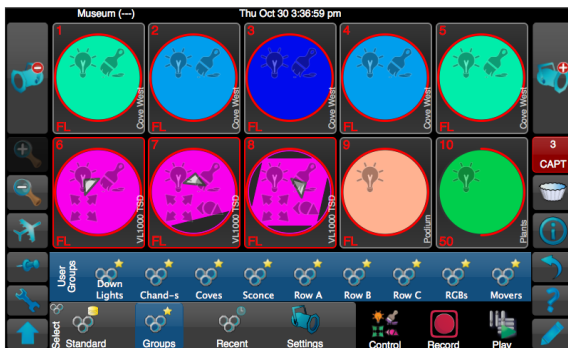
STANDARDS COMPLIANCE

- ANSI E1.11 DMX512-A
- ANSI E1.31 sACN
- IEEE 802.3af Power-over-Ethernet
- RS-232/485
- RoHS 2002/95/EC

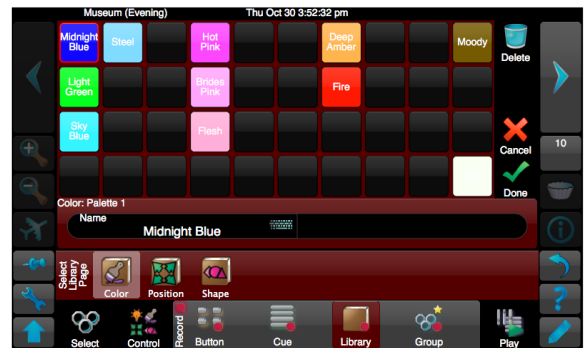
WEIGHTS AND DIMENSIONS

- 0.8 lbs (0.363 kg)
- 6.25"W x 1.5"D x 3.6"H (160mm x 38mm x 91mm)

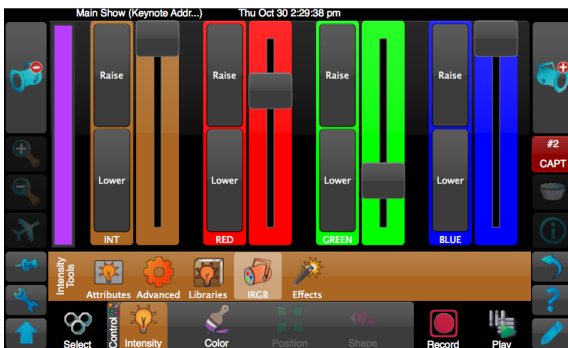
SAMPLE FUNCTIONAL SCREEN SHOTS (programming over VNC)



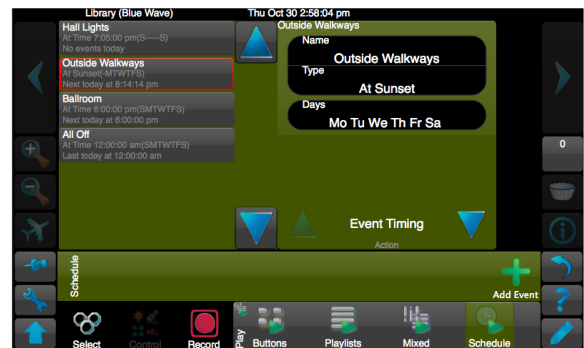
SELECT



RECORD



CONTROL



PLAY

MODEL/FEATURE COMPARISON

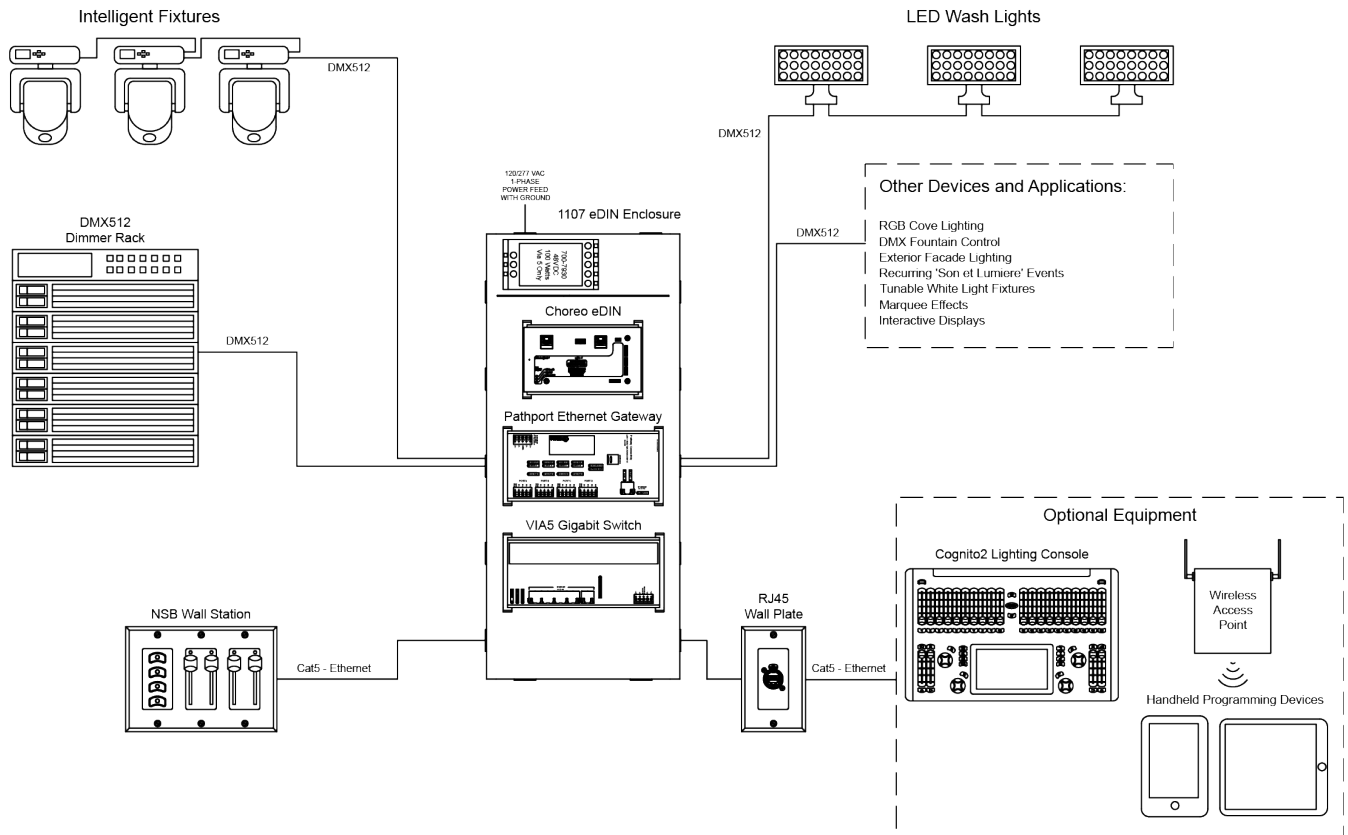
FEATURES	CHOREO eDIN 512	CHOREO eDIN 1024	CHOREO eDIN 1536	CHOREO eDIN 2048
DMX Output Addresses	512	1024	1536	2048
Pathport Protocol	Yes	Yes	Yes	Yes
ANSI E1.31 sACN	Yes	Yes	Yes	Yes
Art-Net	Yes	Yes	Yes	Yes
KINET	Yes	Yes	Yes	Yes
DMX512 Output Ports	2*	2	3†	4†
DMX512 Input Trigger	Yes	Yes	Yes	Yes
Internal Timecode clocks	3	3	3	3
RS232 Serial/Telnet Support	Yes	Yes	Yes	Yes
Contact Closure	3	3	3	3
Time/Astronomical Schedule	Yes	Yes	Yes	Yes
24VDC DIN-mountable Power Supply	Optional	Optional	Optional	Optional

* - Universe 1 repeated on both Output ports

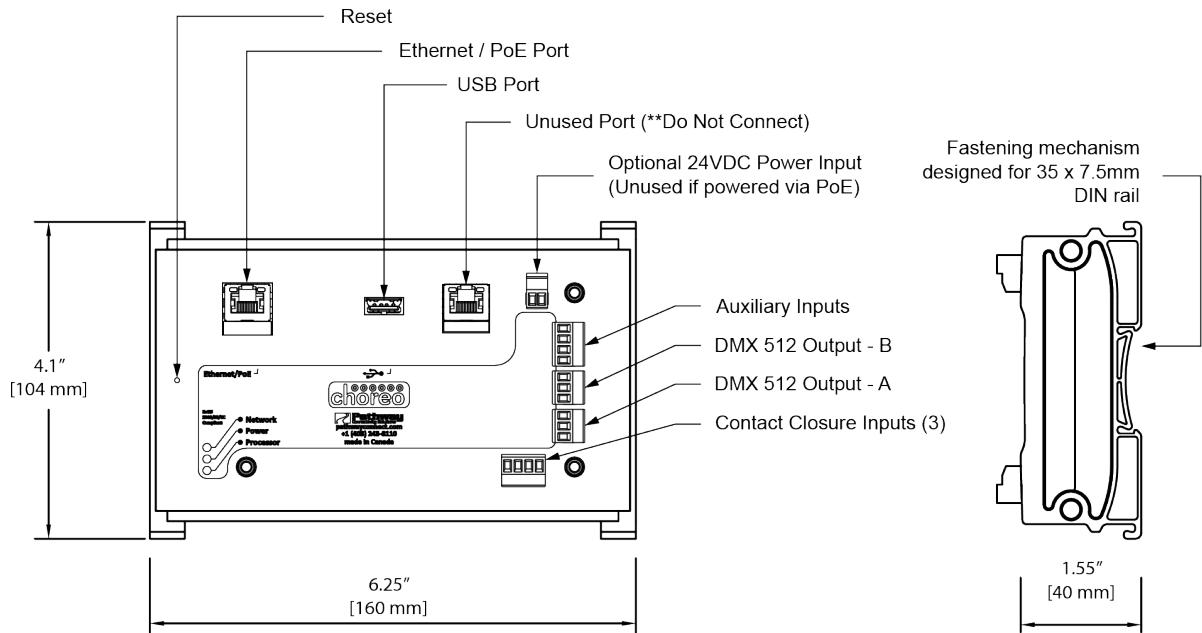
† - Requires Pathport gateway for DMX output

APPLICATION EXAMPLES

Choreo eDIN - Pathport Application



DIMENSIONS AND CONNECTIONS



ORDERING INFORMATION

PART #	DESCRIPTION
0700-7312	Choreo eDIN 512 Controller
0700-7313	Choreo eDIN 1024 Controller
0700-7314	Choreo eDIN 1536 Controller
0700-7315	Choreo 7TS 2048 Controller
0700-7812	Upgrade, Choreo, Add 512 Channels
ACCESSORIES	
1001-030-24-DIN	30 Watt, 24VDC Power Supply, DIN-mountable
1103	eDIN Rack Mount Panel, 2RU high, two 16.5" DIN Rail
1105	eDIN System Enclosure, 10" x 13" x 4.5" c/w One 9" Vertical DIN Rail
1106	eDIN System Enclosure, 10" x 23" x 4.5" c/w One 19" Vertical DIN Rail
1107	eDIN System Enclosure, 10" x 23" x 4.5" c/w Three 9" Horizontal DIN Rail
1108	eDIN System Enclosure, 10" x 13" x 4.5" c/w Two 9" Horizontal DIN Rail
1109	Expanded eDIN System Enclosure, 18.5" x 31.5" x 6.5" c/w Three 24" Vertical DIN Rail, One 18" DIN Rail in Class 1 Section, two 3-gang knockouts in removable door
Network Sliders and Buttons	
0700-5390	NSB 485 Architectural Gateway, eDIN (4.5")
0700-533x	NSB 485 - Master Inserts (2 or 4 button, single or dual sliders)
0700-531x	NSB PoE - Master Inserts (2 or 4 button, single or dual sliders)
0700-590x	Local Inserts (2 or 4 button, single or dual sliders)