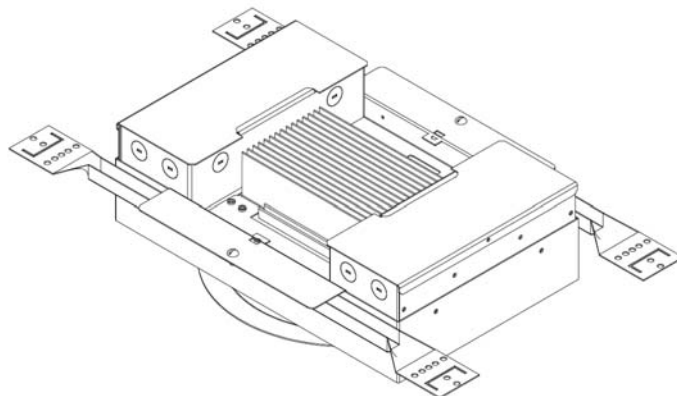


## CHALICE RECESSED LED DOWNLIGHT 100 Watt LED

The 100W Recessed Chalice from Altman Lighting is a LED architectural downlight designed for permanent installation and energy savings. Offering all of the benefits and longevity of an LED luminaire, changing lamps in your fixtures has now become a thing of the past.

Adding a fixture into a DMX system control system is easy with the simple three-button DMX addressing that is easily accessible from the bottom of the fixture - set it once and enjoy a smoothly integrated and energy efficient illumination solution for your area of choice.



The 100W Recessed Chalice fixture is able to be controlled by your DMX Control console & architectural control system; for facilities without a DMX control system the 100W Recessed Chalice is also available in a mains dimmable fixture.

### **Product Features:**

- 100W LED driver
- Ten interchangeable lenses
- DMX or Mains Dimmable (note, mains dimmable only available in a single color LED only)
- Push Button DMX Addressing and RDM compatibility
- DMX Pass through
- 8-bit or 16-bit selectable DMX modes
- cETLus listed for indoor applications
- Made in the USA

# CHALICE RECESSED LED DOWNLIGHT

## 100 Watt LED

### Photometrics

Photometric data taken with all channels at full, and reflects the output of the fixture with each of the lensing systems installed. Comparisons between fixtures should only be made with photometric data that incorporates the lensing system to be used. Photometric data collected using a 3,000K White LED fixture.

### Performance Per Lens

VNSP Lens (18-0110)				
Throw Distance (d)	10' / 3m	15' / 4.6m	20' / 6.1m	25' / 7.6m
Field Size (HxV)	1.9' x 1.9' 0.6m x 0.6m	2.9' x 2.9' 0.9m x 0.9m	3.86' x 3.86' 1.2m x 1.2m	4.8' x 4.8' 1.5m x 1.5m
Illuminance (fc)	639	284	160	102
Illuminance (lux)	6,876	3,056	1,722	1,098

NSP Lens (18-0111)				
Throw Distance (d)	10' / 3m	15' / 4.6m	20' / 6.1m	25' / 7.6m
Field Size (HxV)	2.1' x 2.1' 0.6m x 0.6m	3.2' x 3.2' 1.0m x 1.0m	4.3' x 4.3' 1.3m x 1.3m	5.3' x 5.3' 1.6m x 1.6m
Illuminance (fc)	528	235	132	102
Illuminance (lux)	5,681	2,529	1,420	1,098

MFL Lens (18-0112)				
Throw Distance (d)	10' / 3m	15' / 4.6m	20' / 6.1m	25' / 7.6m
Field Size (HxV)	3.2' x 1.9' 1.0m x 0.6m	4.8' x 2.9' 1.5m x 0.9m	6.4' x 3.8' 2.0m x 1.2m	8.0' x 4.8' 2.4m x 1.5m
Illuminance (fc)	256	114	64	41
Illuminance (lux)	2,755	1,227	689	441

WFL Lens (18-0113)				
Throw Distance (d)	10' / 3m	15' / 4.6m	20' / 6.1m	25' / 7.6m
Field Size (HxV)	5.0' x 2.1' 1.5m x 0.7m	7.5' x 3.2' 2.3m x 1.0m	10.0' x 4.2' 3.0m x 1.3m	12.5' x 5.3' 3.8m x 1.6m
Illuminance (fc)	114	51	29	18
Illuminance (lux)	1,227	549	280	194

XWFL Lens (18-0114)				
Throw Distance (d)	10' / 3m	15' / 4.6m	20' / 6.1m	25' / 7.6m
Field Size (HxV)	9.5' x 9.6' 2.9m x 2.9m	14.3' x 14.3' 4.4m x 4.4m	19.0' x 19.0' 5.8m x 5.8m	23.8' x 24.0' 7.2m x 7.3m
Illuminance (fc)	35	18	11	7
Illuminance (lux)	377	204	118	75

20° Conical Lens (SS-8CDL-20)				
Throw Distance (d)	10' / 3m	15' / 4.6m	20' / 6.1m	25' / 7.6m
Field Size (HxV)	5.2' x 4.7' 1.6m x 1.4m	7.8' x 7.5' 2.4m x 2.3m	10.4' x 9.4' 3.2m x 2.9m	13.0' x 11.8' 4.0m x 3.6m
Illuminance (fc)	95	42	24	15
Illuminance (lux)	1,022	452	258	161

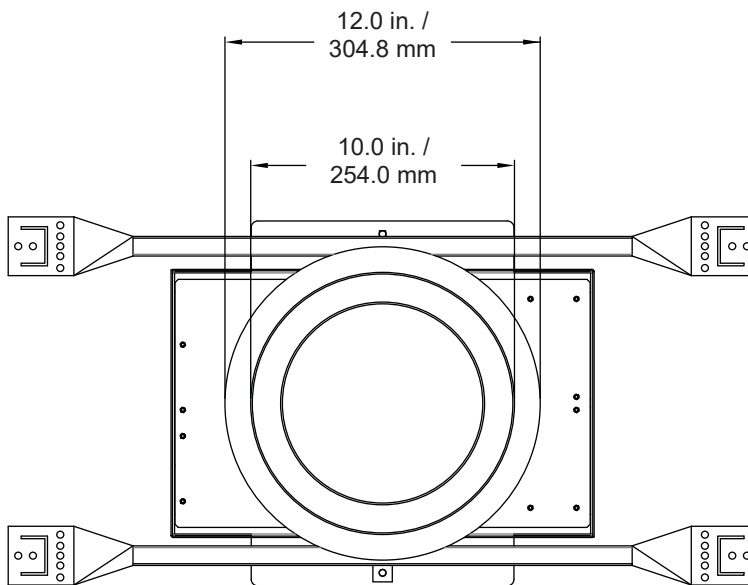
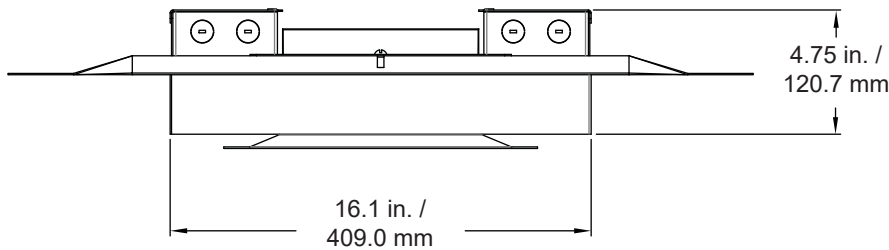
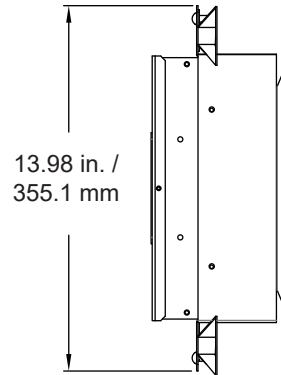
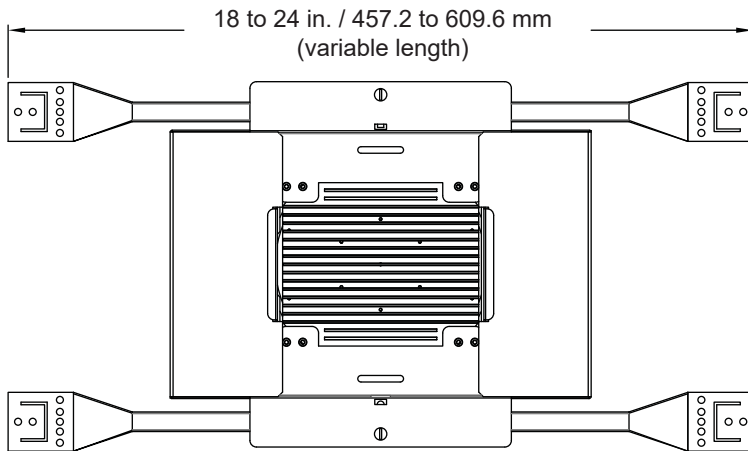
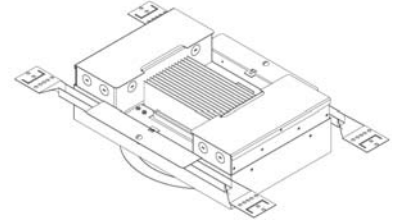
30° Conical Lens (SS-8CDL-30)				
Throw Distance (d)	10' / 3m	15' / 4.6m	20' / 6.1m	25' / 7.6m
Field Size (HxV)	6.5' x 6.5' 2.0m x 2.0m	10.0' x 10.0' 3.0m x 3.0m	16.0' x 16.0' 5.0m x 5.0m	23.0' x 23.0' 7.0m x 7.0m
Illuminance (fc)	39	17	10	6
Illuminance (lux)	420	183	108	65

60° Conical Lens (SS-8CDL-60)				
Throw Distance (d)	10' / 3m	15' / 4.6m	20' / 6.1m	25' / 7.6m
Field Size (HxV)	11.3' x 12.0' 3.4m x 3.7m	17.0' x 18.0' 5.2m x 5.5m	23.0' x 24.0' 7.0m x 7.3m	28.0' x 30.0' 8.5m x 9.0m
Illuminance (fc)	30	13	7.5	5
Illuminance (lux)	323	140	81	54

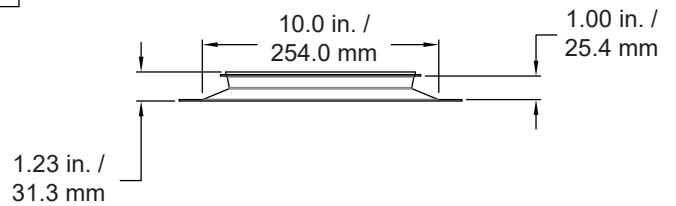
P95 Diffusion Lens (SS-8CDL-P95)				
Throw Distance (d)	10' / 3m	15' / 4.6m	20' / 6.1m	25' / 7.6m
Field Size (HxV)	3.8' x 3.8' 1.2m x 1.2m	5.7' x 5.7' 1.7m x 1.7m	7.6' x 7.6' 2.3m x 2.3m	9.5' x 9.5' 2.9m x 2.9m
Illuminance (fc)	235	104	59	38
Illuminance (lux)	2,529	1,119	635	409

# CHALICE RECESSED LED DOWNLIGHT 100 Watt LED

## Product Dimensions



**NOTE:** Ceiling Cut Opening: 10-inches (minimum) to 11.75-inches (maximum).



## Specifications

<b>Materials:</b>	Construction employs all corrosion-resistant materials and hardware.
<b>Housing:</b>	Corrosion resistant aluminum outer shell with aluminum interior components.
<b>Control:</b>	Mains Dimmable or DMX / RDM
<b>Light Engines:</b>	<b>DMX Models:</b> 100W LED Array - Available in 3000K, 6000K, 3000K to 6000K Tunable White, RGBA, and RGBW. <b>Mains Dimmable Models:</b> 100W LED Array - Available in 3000K and 6000K(standard), Custom arrays available - consult factory before ordering.
<b>LED Rated Life:</b>	LED array are rated for >50,000 hours of operation.
<b>Input Voltage:</b>	100-240 VAC 50/60 Hz 0.83A @120VAC 0.42A @ 240VAC
<b>Cooling:</b>	Natural Convection
<b>Environment:</b>	0 to 40 degrees C (32 to 104 degrees F)
<b>Trim Rings:</b>	Available in Black, White, or Custom (for custom colors, consult factory before ordering).
<b>Weight:</b>	12 Pounds (5.44Kg.)
<b>Compliance:</b>	cETLus Listed

## Ordering Information

### CDR100-(LED Array)-(Trim Ring Color)-(Control)-(Voltage)

Model:	CDR100 Chalice Recessed LED Luminaire
LED Array:	RGBA or RGBW or 3K or 4K or 6K or 3K6K (tunable white) or Custom (C)*
Trim Ring Color:	Black (B) or White (W) or Custom (C)*
Control:	DMX Control (D) or Mains Dimmable (M)**
Voltage:	120VAC (120) or 220-240VAC (220)

#### Notes:

\*Consult factory before ordering.

\*\*Mains Dimmable models are only available with a single color LED array (not available in RGBA or RGBW).

## Optional Accessories

<b>18-0110</b>	Very Narrow Spot Lens
<b>18-0111</b>	Narrow Flood Spread Lens
<b>18-0112</b>	Medium Flood Spread Lens
<b>18-0113</b>	Wide Flood Spread Lens
<b>18-0114</b>	Extra Wide Flood Spread Lens
<b>SS-8CDL-20</b>	20° Beam Angle Lens
<b>SS-8CDL-30</b>	30° Beam Angle Lens
<b>SS-8CDL-40</b>	40° Beam Angle Lens
<b>SS-8CDL-60</b>	60° Beam Angle Lens
<b>SS-8CDL-P95</b>	P95 Diffusion Lens

**NOTE:** When using diffusers (20°, 30°, 40°, 60° and P95) please allow for a minimum throw distance of 10'-0" (approximately 3m) for color uniformity.