

# Aurora Flood



**The Aurora Flood is a 500W or 1000W symmetric flood fixture for larger theatres and studios and general purpose display lighting.**

The Aurora Flood is a high performance entertainment luminaire designed for entertainment and studio applications; it is not designed for continuous use as required for a work light or rehearsal light. For these applications please use the Hui Work Light.

## Features

90° light beam is smooth and falls off evenly without visible high lights or shadows.

Repeatability of beam characteristics is guaranteed by the extruded aluminum reflector.

Robust construction from a combination of aluminum extrusions and formed steel panels.

Filter life is maximized by the dual air-flow chamber construction.

The filter frame is flat ensuring it can be mounted into the fixture with ease. Its size ensures an economic two frame cut out of a standard filter sheet.

Relamp without removing the color filter holder via the hinged front filter holder assembly.

Barndoor accessory available for beam masking.

Available configurations: Single, with or without pole operated tilt. Multi batten options as per cyc.

Standard integral safety glass adds additional safety features to this fixture. In the unlikely event of a lamp exploding the safety glass ensures that any remains are contained within the fixture.

Permanently attached safety cable ensures that this important safety requirement is always on hand.

Integral micro-switch provides automatic disconnection of power to the fixture when opening to relamp, preventing a student or technician inserting a lamp into an electrically live fixture.

Three year warranty.

## Lamps: 120V

**FFT 1000W**  
26,450 lumens 400hrs average life

## Ordering Information

<b>10AUFLDUS</b>	Aurora Flood 1-Batten, black
<b>10AUFLD4LUS</b>	Aurora Flood 4-Batten, black
<b>20BDAU</b>	Barndoor, 4 way, black
<b>20CFAUCY</b>	Spare color frame
<b>AURLEN001</b>	Spare safety glass
<b>USCLAMP</b>	Spare US theatrical C-clamp

For connector options please specify the following suffixes when ordering:

- GR NEMA 5-15P Grounded Edison
- GP 20A Stage Pin Plug
- GTL NEMA L5-20P Twist-Lock

## Approvals

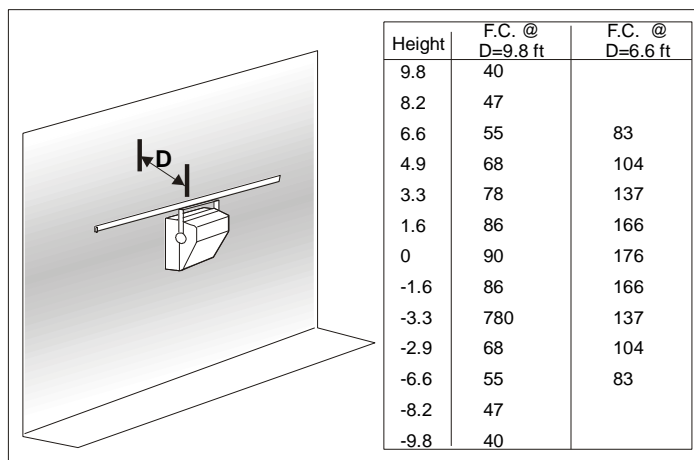
ETL / cETL listed to UL 1573.

## SPECIFICATION SUBMITTAL

CONSULTANT: <input type="text"/>	PROJECT NAME: <input type="text"/>	MODEL NUMBER   QUANTITY: <input type="text"/> <input type="text"/> <input type="text"/> <input type="text"/> <input type="text"/> <input type="text"/>
DATE: <input type="text"/>	PROJECT NUMBER: <input type="text"/>	APPROVED BY: <input type="text"/>

## Photometric Data

Tests conducted using a standard FFT Osram 1000W 120V linear lamp.



For Lux please multiply Fc by 10.7

## Physical Data

### Weight:

1-Batten: 22lb 9oz    4-Batten: 66lb

**Color frame size:** 12" x 12 5/8"

**AC supply cable:** 36"

**Included:** 1-Batten – 1x color frame, 1x C-clamp and instruction sheet.  
4-Batten - 4x color frame for single, 2x C-clamp and instruction sheet.

### North America

10911 Petal Street  
Dallas, Texas 75238  
Tel: +1 214 647 7880  
Fax: +1 214 647 8030

267 5th Ave, 4th Floor  
New York, NY 10016  
Tel: +1 212 213 8219  
Fax: +1 212 532 2593

### New Zealand

19-21 Kawana Street  
Northcote, Auckland 0627  
Tel: +64 9 481 0100  
Fax: +64 9 481 0101

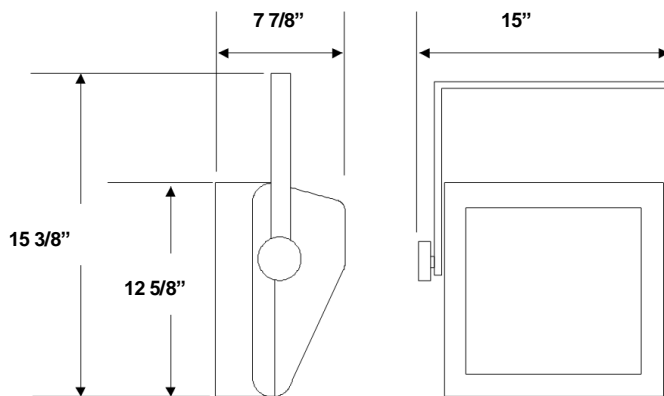
### Hong Kong

Unit C, Block C 14/F.,  
Roxy Industrial Centre  
No. 41-49 Kwai Cheong Road  
Kwai Chung, N.T.  
Tel: +852 2796 9786  
Fax: +852 2798 6545

### European Service & Distribution Centre

Marssteden 152  
Enschede 7547 TD  
the Netherlands  
Tel: +31 53 450 0424  
Fax: +31 53 450 0425

100411NA



© Philips Group 2010

All rights reserved.

The Company reserves the right to make any variation in design or construction to the equipment described.  
E&OE

**PHILIPS**  
**Selecon**