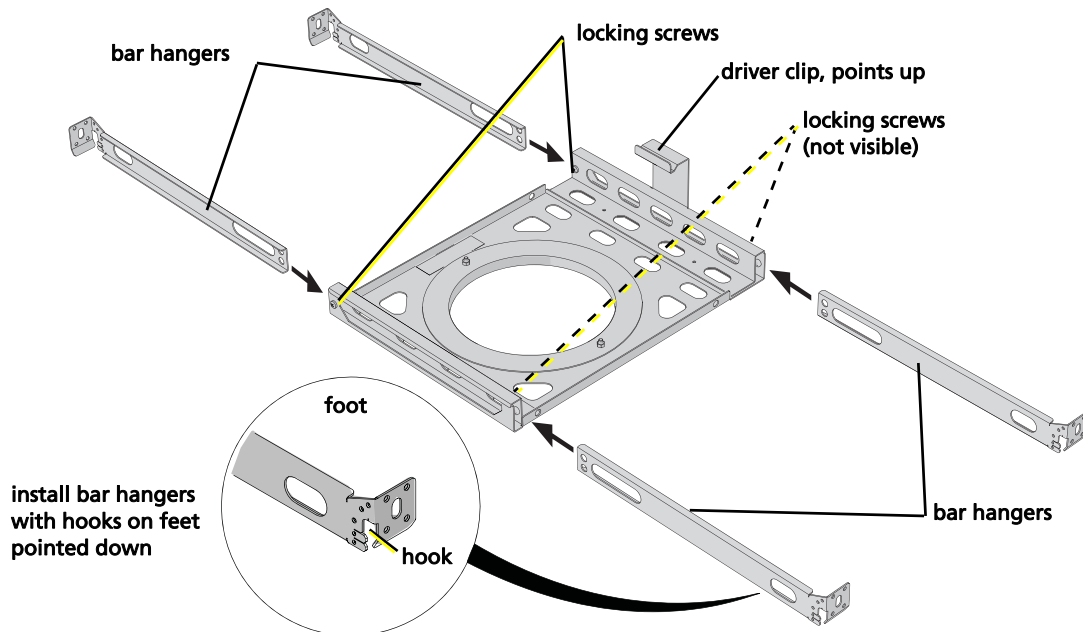


ETC Installation Guide

ArcSystem Recessed Ceiling Bracket

Overview

The ArcSystem recessed ceiling bracket (part# 7491A1214) provides a secure mechanical installation method for a Pro One-Cell recessed fixture in either new construction or a suspended ceiling.



Note: *The maximum recommended load on the bracket is 30 lb (13.6 kg).*

Installing the Bracket

The following items are provided:

- Ceiling bracket
- 4 bar hangers
- 5 Phillips head SEMS screws (including one extra)

The following items are required or recommended but not supplied:

- Conduit and conduit fittings, as needed
- Romex or nonmetallic screw-clamp style conduit connectors for outputs
- Phillips head screw driver
- Pliers (suspended ceiling installation only)
- Fasteners and wire as needed to attach bracket to joists or T-bar grid



Corporate Headquarters ■ Middleton, WI, USA ■ Tel +608 831 4116 ■ Service: (Americas) service@etcconnect.com

London, UK ■ Tel +44 (0)20 8896 1000 ■ Service: (UK) service@etcconnect.com

Rome, IT ■ Tel +39 (06) 32 111 683 ■ Service: (UK) service@etcconnect.com

Holzkirchen, DE ■ Tel +49 (80 24) 47 00-0 ■ Service: (DE) techserv-hoki@etcconnect.com

Hong Kong ■ Tel +852 2799 1220 ■ Service: (Asia) service@etcconnect.com

Web: etcconnect.com ■ © 2016 Electronic Theatre Controls, Inc.

Product information and specifications subject to change. ETC intends this document to be provided in its entirety.

7491M2100 ■ Rev A ■ Released 2017-05

ETC Installation Guide

ArcSystem Recessed Ceiling Bracket

Installation Requirements

- The installation location must support the combined weight of the Pro One-Cell fixture, D1 driver, and the ceiling bracket: approximately 8 lb (3.64 kg) total. The maximum recommended load on the bracket is 30 lb (13.6 kg).
- The installation must have clearance for the fixture above the bracket.
- Joist or T-bar grid spacing must be 24 in. (61 cm) or less.



WARNING: ArcSystem Pro One-Cell fixed beam recessed fixtures are **NON-IC** rated and therefore **NOT** suitable for installation in direct contact with combustible materials or thermal insulation.
DO NOT INSTALL INSULATION WITHIN 3 in. (76mm) OF ANY PART OF THE FIXTURES.



WARNING: ArcSystem Pro One-Cell adjustable beam recessed fixtures are suitable for Non-Fire Rated installations **ONLY**.



Note: *ArcSystem Pro One-Cell fixed beam recessed fixtures are suitable for fire rated installations.*



Note: *ArcSystem Pro One-Cell adjustable beam recessed fixtures are IC rated (inherently protected).*

ETC Installation Guide

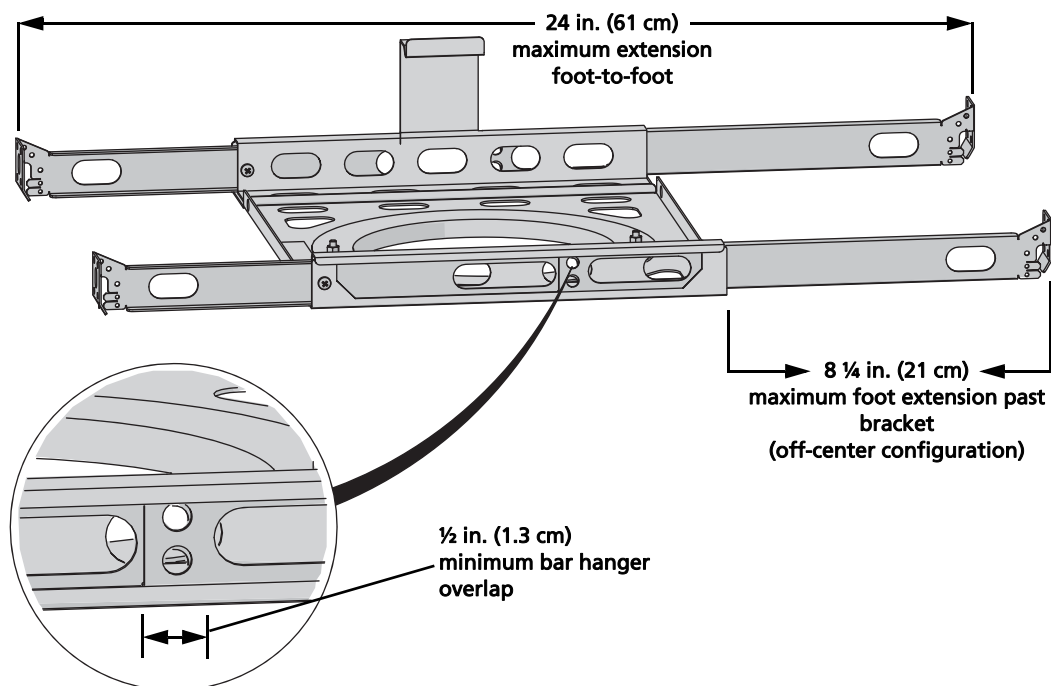
ArcSystem Recessed Ceiling Bracket

Install into Joist Construction

- 1: Slide the bar hangers into the bracket, hook side down, as shown in [Overview](#) on [page 1](#). Note that the driver clip points up.
- 2: Extend the four bar hangers to fit between the joists. The bar hanger feet are contoured to easily align with the bottom of the joist.



CAUTION: *Do not extend the bar hanger feet more than 24 in. (61 cm) foot-to-foot. Ensure that bar hangers overlap by a minimum of ½ in. (1.3 cm) or the bracket may not support the fixture. See illustration below.*



- 3: Use a suitable method to fix bar hanger feet to joists.
- 4: Slide the bracket along the bar hangers to the desired location. Insert SEMS screws at locations shown in [Overview](#) on [page 1](#). Tighten the screws to secure.

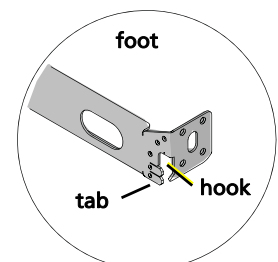


CAUTION: *Do not extend bar hanger feet more than 8 ¼ in. (21 cm) past the bracket body or the bracket may not support the fixture. See illustration above.*

- 5: Continue with [Install the Ceiling](#) on [page 4](#).

Install into Suspended Ceiling

- 1: Using pliers, slightly bend the tab on each bar hanger foot.
- 2: Slide the four bar hangers into the bracket, hook side down, as shown in [Overview](#) on [page 1](#). Note that the driver clip points up.



ETC Installation Guide

ArcSystem Recessed Ceiling Bracket

- 3: Extend the bar hangers to fit T-bars in the T-bar grid.



CAUTION: *Do not extend the bar hanger feet more than 24 in. (61 cm) foot-to-foot. Ensure that bar hangers overlap by a minimum of ½ in. (1.3 cm) or the bracket may not support the fixture. See illustration on [page 3](#).*

- 4: Hook each bar hanger foot onto the T-bars. Additional holes are provided for securing with wire or screws as needed.
- 5: Slide the bracket along the bar hangers to the desired location. Insert SEMS screws at locations shown in [Overview](#) on [page 1](#). Tighten the screws to secure.



CAUTION: *Do not extend any bar hanger foot more than 8 ¼ in. (21 cm) past the bracket body or the bracket may not support the fixture. See illustration on [page 3](#).*

Install the Ceiling



Note: *Maximum ceiling thickness for safe use of the fixture retaining clips is ¾ inch.*

- 1: Cut a hole in the ceiling or ceiling tile to accommodate the fixture's retaining clip anchors: minimum diameter 6 ¾ in. (171mm) to clear the flange on the bottom of the bracket, maximum diameter smaller than the fixture's outer bezel.
- 2: Install the ceiling or ceiling tile.

Installing the D1 Driver

Attach Conduit

- 1: Make sure power is off at the main circuit breaker.
- 2: Remove the two screws on the face of the driver and set them aside. The cover is tethered to the backbox. Be careful when handling.
- 3: Attach flexible conduit to the driver. There are four conduit knockouts available.
- 4: Install Romex or nonmetallic screw-clamp conduit connectors to output knockouts, as needed.



Note: *Make sure that the flexible electrical supply can extend through the ceiling opening so that the driver and fixture can be inspected and serviced when needed.*



Note: *Use suitable conduit where required by local/national code.*

ETC Installation Guide

ArcSystem Recessed Ceiling Bracket

Terminate Wiring



WARNING: A system without an accessible power disconnect device cannot be serviced or operated safely. Follow all local codes and restrictions.

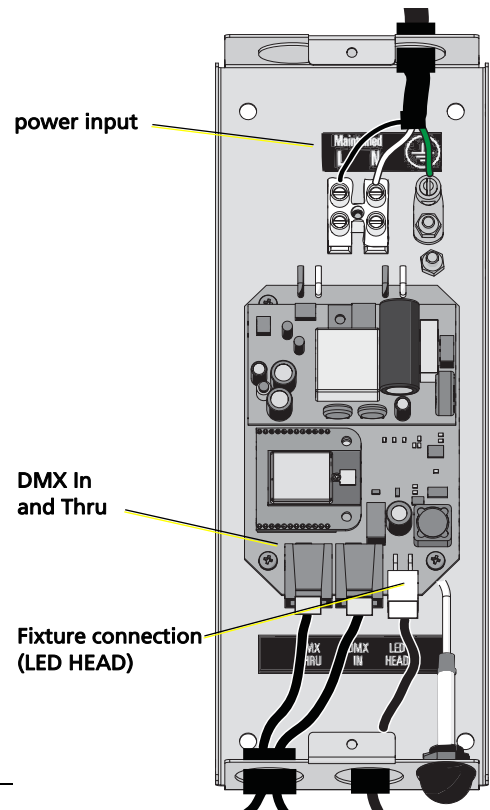
Power Input Wiring

- 1: Loosen the three screw terminals for NEUTRAL (N), GROUND \oplus , and LINE (L) connections.
- 2: Run the ground wire (typically green) through conduit into the GROUND \oplus terminal and tighten the screw.
- 3: Run the neutral wire (typically white) through conduit into the NEUTRAL (N) terminal and tighten the screw.
- 4: Run the line wire (typically black) through conduit into the LINE (L) terminal and tighten the screw.
- 5: Tug gently on the wires to ensure they are secure.

DMX In and Thru

There are two RJ45 connectors available; one for DMX IN, and one for DMX THRU.

- Up to 32 fixtures can be connected per DMX run.



Note: *ArcSystem fixtures are not self terminating. You must terminate the last fixture in line with a 120 Ω resistor.*

To purchase an RJ45 terminator, please contact your ETC customer service representative and request part number N4086.

Power Output to Fixture

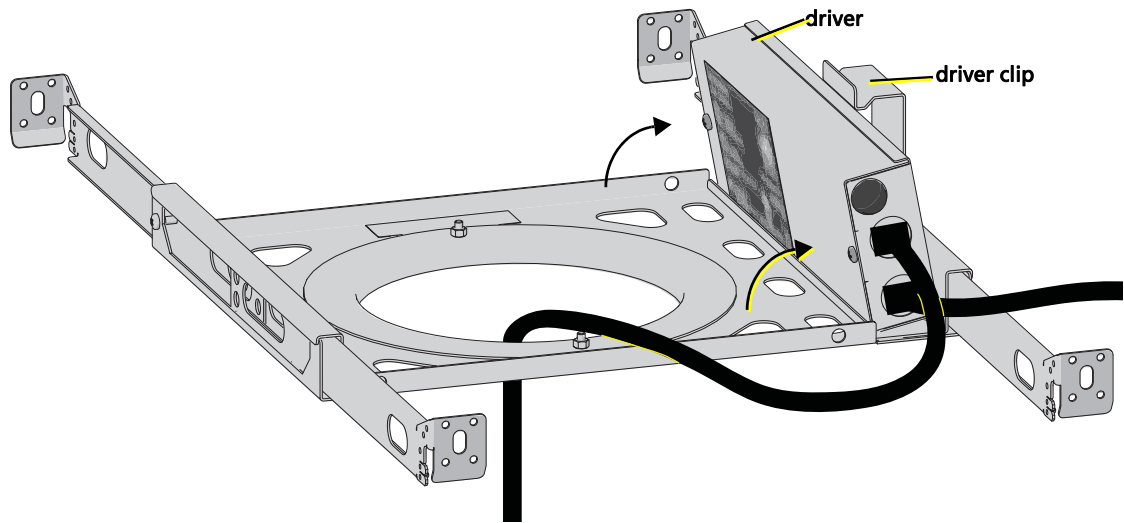
The fixture is connected to the driver using a Molex connector located next to the DMX connectors, labeled LED Head. Hold the fixture below the bracket and run the four pin fixture cable through the central hole in the bracket and through the previously installed screw clamp conduit connector at one of the driver knockouts. Connect the four pin cable to the Molex connector inside the driver (see [Terminate Wiring on page 5](#)). Support the fixture. Do not let the fixture hang by the cable.

ETC Installation Guide

ArcSystem Recessed Ceiling Bracket

Attach D1 Driver to Ceiling Bracket

- 1: Reinstall the cover using the two previously removed screws.
- 2: Set the driver in the groove on the bracket with the label facing away from the clip and push the driver under the driver clip to secure.



ETC Installation Guide

ArcSystem Recessed Ceiling Bracket

Installing Fixture into Bracket



WARNING: ArcSystem Pro One-Cell fixed beam recessed fixtures are NON-IC rated and therefore NOT suitable for installation in direct contact with combustible materials or thermal insulation. DO NOT INSTALL INSULATION WITHIN 3 in. (76mm) OF ANY PART OF THE FIXTURES.



WARNING: ArcSystem Pro One-Cell adjustable beam recessed fixtures are suitable for Non-Fire Rated installations ONLY.

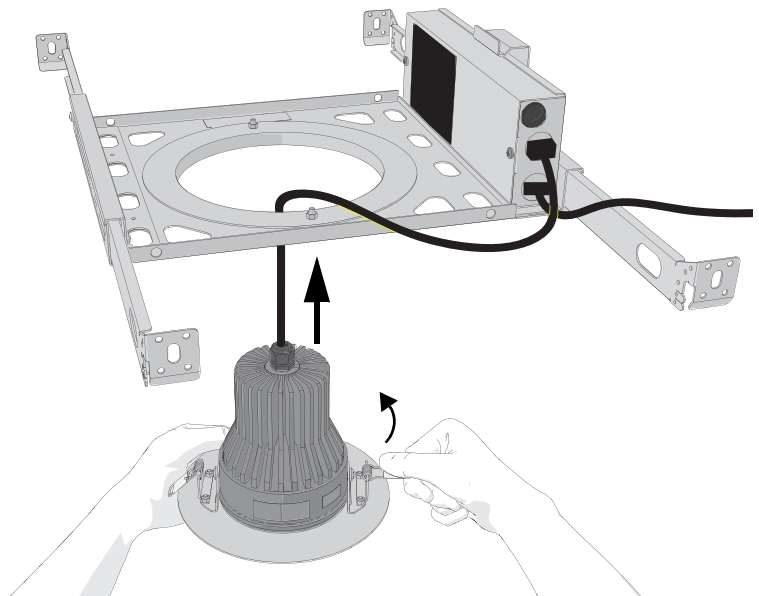


Note: ArcSystem Pro One-Cell fixed beam recessed fixtures are suitable for fire rated installations.



Note: ArcSystem Pro One-Cell adjustable beam recessed fixtures are IC rated (inherently protected).

Insert fixture through the ceiling and the bracket from below, lifting retaining clips to allow insertion. When released, clips will hold fixture in place.



Note: The retaining clips are designed to hold the fixture securely in place. If the fixture needs to be repositioned or removed after installation, take care to lift the clips out of the way before moving the fixture. Failure to do so may result in damage to the ceiling. Always ensure fixture is securely installed into the ceiling.

Help from ETC Technical Services

If you experience difficulty during setup or installation of the ArcSystem recessed ceiling bracket, additional information is available from etconnect.com, or by contacting ETC Technical Services at your local office listed at the bottom of the first page.