



Date  
Project  
Fixture  
Comments

**GENERAL INFORMATION**

The Pro Two-Cell is ideal for medium-throw LED illumination. The luminaire is designed to fit in locations where hanging space is limited, and is equipped with a yoke for maximum focusing flexibility. Manufactured from high-grade, powder-coated aluminum and steel, the Pro Two-Cell is entirely convection-cooled, meaning zero noise emission.

The Pro Two-Cell luminaire connects directly to a mains supply and is supplied complete with an onboard power supply. Intensity control is achieved either with a direct, wired-DMX connection to the luminaire's RJ45/etherCON connectors, or wirelessly using the separate ArcMesh Transmitter.

ArcSystem has been specifically developed for auditorium-lighting applications where high-quality, extremely accurate and smooth dimming is required. The use of onboard device management in the driver allows all luminaires to be addressed remotely, ensuring fast and simple installation.

**GENERAL INFORMATION**

**APPLICATIONS**

- Auditoriums
- Worklights
- Lobbies
- Houses of worship
- Museums
- Studios

**FEATURES**

- Wired-DMX or wireless (ArcMesh) control protocols
- Stepless, smooth dimming to absolute zero
- Convection-cooled
- Silent operation
- Black or white paint finish options
- Custom color paint finishes available by special order
- Available as a dual-input emergency version

**ORDERING INFORMATION**

**ArcSystem Pro Two-Cell**

MODEL	CONTROL	POWER	FADE-TO-WARM	COLOR TEMP	BEAM ANGLE	FIXTURE COLOR	MOUNTING
<b>ARCP2</b> - Standard	<b>BLANK</b> - DMX/ArcMesh	<b>BLANK</b> - 100-240 VAC (IEC cord)	<b>BLANK</b> - Standard	<b>2</b> - 2700 K	<b>19</b> - 19°	<b>W</b> - White	<b>Y</b> - Surface Yoke
<b>ARCPE2</b> - Emergency	<b>RDM</b> - DMX/RDM	<b>277</b> - 100-277 VAC (hard-wired)	<b>F</b> - Fade To Warm <small>(only available with 2700 K and 3000 K options)</small>	<b>3</b> - 3000 K <b>35</b> - 3500 K <b>4</b> - 4000 K <b>5</b> - 5000 K	<b>24</b> - 24° <b>37</b> - 37° <b>60</b> - 60°	<b>B</b> - Black <b>C</b> - Custom	

To complete the form, simply select an option at the bottom of each column to populate the last row with your desired part number.

Color Options: Fixtures ship standard in black or white. For additional colors please contact ETC.



## PRODUCT SPECIFICATIONS (PRO TWO-CELL)

**Source**

LED details	Bridgelux Vero 13 (standard) Vesta 15 (FTW)
Max field lumens	4,370 (5000 K 37°)
Lumens per watt	87
L70 rating (hours to 70% output)	50,000 hours

**Color**

Colors used	Fixed white
Color temperature range	2700 K, 3000 K, 3500 K, 4000 K, 5000 K
Fade to warm	Optional on 2700 K and 3000 K

**Optical**

Beam angle range	19 / 24 / 37 / 60
CRI	>90
TM-30-18 data	Refer to ArcSystem photometry guide
Photometry data	See below or refer to ArcSystem photometry guide

**Control**

Input method	DMX-512 via RJ45 etherCON connector
Protocols	DMX, ArcMesh wireless, RDM (option)
Modes (footprint)	1-channel / 2-channel
RDM configuration	Yes (with RDM option)
UI type	PC config app for ArcMesh option
Local control	No
Notes	ArcMesh wireless control requires optional TX1 transmitter

**Electrical**

Voltage range	100–240 VAC IEC or 100–277 VAC hard-wired
Input method	Standard luminaire options: Option 1: IEC Connector (supplied with three-conductor 18AWG bare-ends to 185cm (72in) IEC power cord) Option 2: wiring compartment with one half-inch knock-outs for field wiring  Emergency luminaire: Wiring compartment with two half-inch knock-outs for field wiring
Inrush	20 A Max at 120 V (25 C)
Wattage (max / standby)	50 W / <3 W
Current draw	0.42 A at 120 V

**Thermal**

Ambient operating temp	0°–40° C (32°–104° F)
Fan (controllable)	N/A (convection cooled)
BTUs/hour	171

**Physical**

Materials	Die-cast aluminum and cold-rolled steel
Color options	Black, white or custom color
Mounting options	Yoke
IP rating	IP-20 (dry locations only)
Weight	3.63 kg (8.00 lb)

**Warranty**

Full fixture	5 years
LED array	10 years

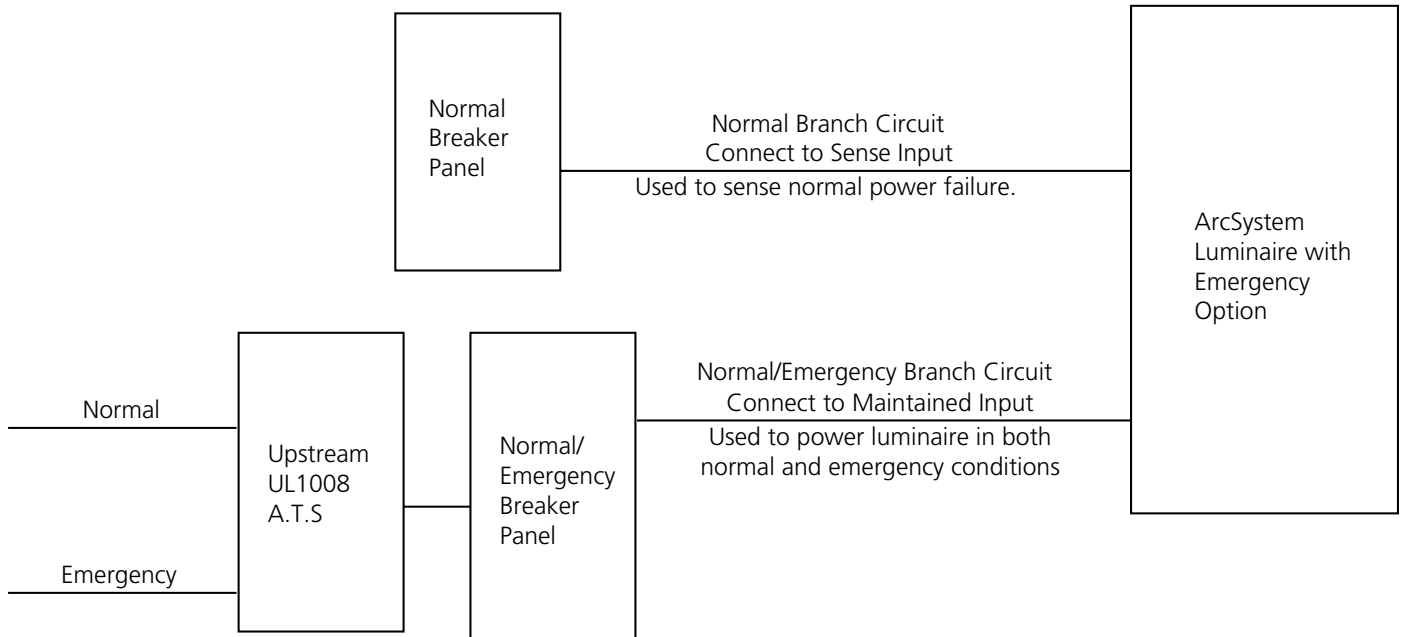
**Regulatory and Compliance**

Approved regulatory standards	Standard version cETLus Listed Conforms to ANSI/UL STD.1598 Certified to CSA STD. C22.2 No: 250 CE Compliant  Emergency version cETLus Listed Conforms to ANSI/UL STD.924 Certified to CSA STD. C22.2 No: 141 CE Compliant
-------------------------------	--

EMERGENCY CONNECTION

A dual-input emergency version of this luminaire is available. Emergency luminaires require two line-voltage inputs that perform the following functions:

- Normal power/emergency power
- Normal power sense input



The sense input is used to detect whether normal utility power has been lost. This will force the luminaire on at 100% intensity running from the maintained supply. There is no control of the luminaire via wireless- or wired-DMX until normal utility power is restored to the sense input.

PHOTOMETRIC INFO

Lumen table

COLOR TEMP	BEAM ANGLE	FIELD ANGLE	FIELD LUMENS	BEAM LUMENS	MAX CANDELA
3000K	19°	50.7°	2,745	1,182	28,300
3000K	24°	59.5°	3,163	1,587	17,040
3000K	37°	65.7°	3,666	1,871	9,100
3000K	60°	89.3°	3,814	1,984	5,352

IES light files are available on request for all beam angles of ArcSystem.

Full photometry and color information for the ArcSystem family is available in the [ArcSystem Photometry and Color Info Guide](#).

PHYSICAL

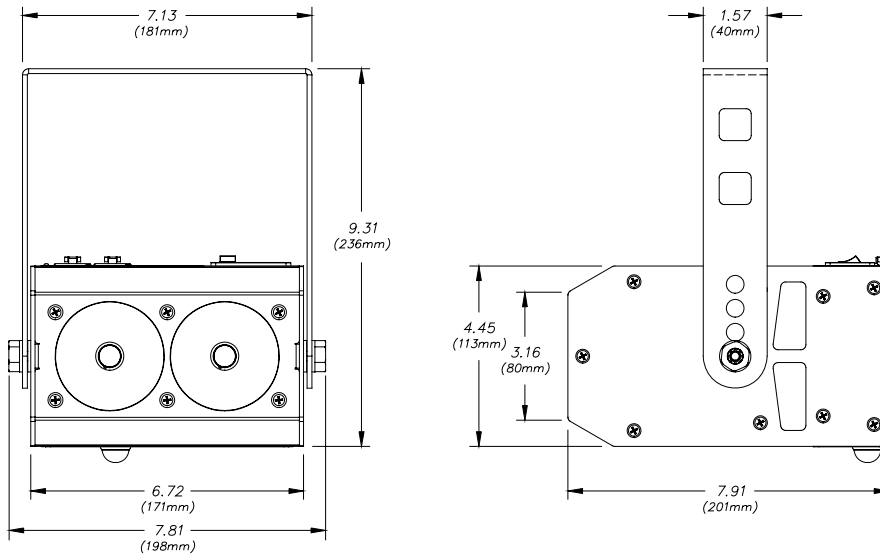
Pro Two-Cell Dimensions

MODEL	HEIGHT		WIDTH		DEPTH	
	in	mm	in	mm	in	mm
Pro Two-Cell	9.31	236	7.81	198	7.91	201
Pro Two-Cell 277V	9.31	236	8.09	205	8.92	227

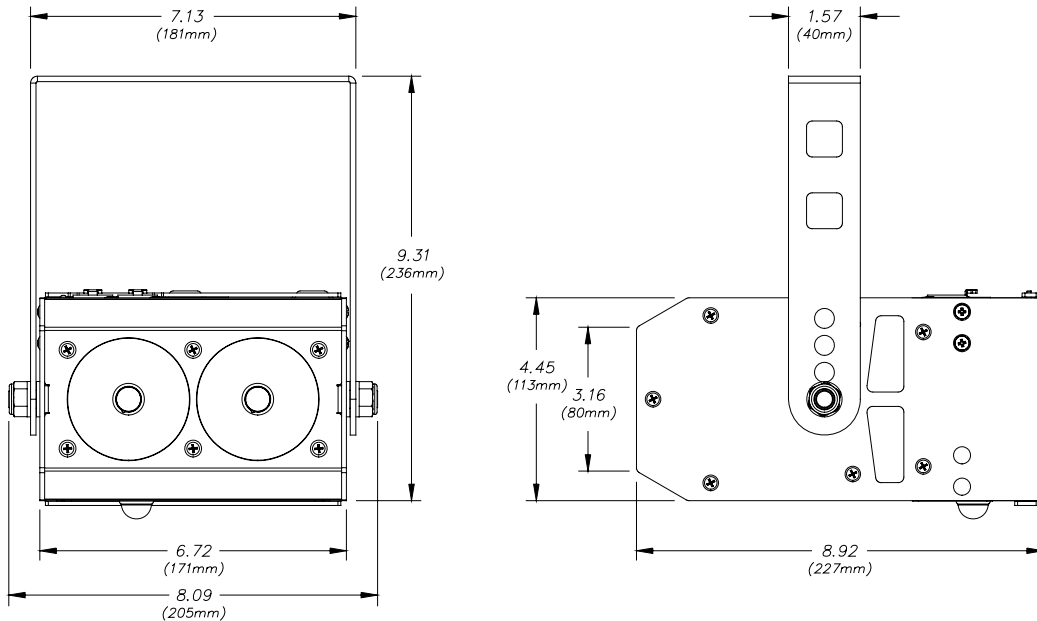
Pro Two-Cell Weights

MODEL	WEIGHT*		SHIPPING WEIGHT	
	lb	kg	lb	kg
Pro Two-Cell	8	3.6	10	4.5
Pro Two-Cell 277V	8	3.6	10	4.5

PRO TWO-CELL



PRO TWO-CELL 277V



Corporate Headquarters • Middleton, WI USA

Global Offices • London, UK • Rome, IT • Holzkirchen, DE • Paris, FR • Hong Kong • Singapore • New York, NY • Orlando, FL • Burbank, CA

Copyright©2019 ETC. All Rights Reserved. All product information and specifications subject to change. Rev H 11/19

Trademark and patent info: etconnect.com/VP

etconnect.com