



Date
Project
Fixture
Comments

GENERAL INFORMATION

The Pro Four-Cell Square provides medium- to long-throw illumination and is ideal for use in locations where hanging space is limited. The Pro Four-Cell Square is equipped with a yoke offering maximum focusing flexibility. Manufactured from high-grade, powder-coated aluminum and steel, the luminaire is entirely convection cooled, meaning zero noise emission.

The Pro Four-Cell Square luminaire connects directly to a mains supply and is supplied complete with an onboard power supply. Intensity control is achieved either with a direct, wired-DMX connection to the luminaire's RJ45/etherCON connectors, or wirelessly using the separate ArcMesh Transmitter.

ArcSystem has been specifically developed for auditorium lighting applications where high-quality, extremely accurate and smooth dimming is required. The use of onboard device management in the driver allows all luminaires to be addressed remotely, ensuring fast and simple installation.

GENERAL INFORMATION

APPLICATIONS

- Auditoriums
- Work lights
- Lobbies
- Houses of worship
- Museums
- Studios

FEATURES

- Wired-DMX or wireless (ArcMesh) control protocols
- Stepless, smooth dimming to absolute zero
- Convection-cooled
- Silent operation
- Black or white paint finish options
 - Custom color paint finishes available by special order
- Available as a dual-input emergency version

ORDERING INFORMATION

ArcSystem Pro Four-Cell Square

MODEL	CONTROL	POWER	FADE-TO-WARM	COLOR TEMP	BEAM ANGLE	FIXTURE COLOR	MOUNTING
ARCP4S - Standard	BLANK - DMX/ArcMesh	BLANK - 100-240 VAC (IEC cord)	BLANK - Standard F - Fade To Warm	2 - 2700 K 3 - 3000 K 35 - 3500 K 4 - 4000 K 5 - 5000 K	19 - 19° 24 - 24° 37 - 37° 60 - 60°	W - White B - Black C - Custom	Y - Surface Yoke
ARCPE4S - Emergency	RDM - DMX/RDM	277 - 100-277 VAC (hard-wired)	(only available with 2700 K and 3000 K options)				

To complete the form, simply select an option at the bottom of each column to populate the last row with your desired part number.

Color Options: Fixtures ship standard in black or white. For additional colors please contact ETC.



PRODUCT SPECIFICATIONS (PRO FOUR-CELL SQUARE)

Source

LED details	Bridgelux Vero 13 (standard) Vesta 15 (FTW)
Max field lumens	8,445 (3000 K 50°)
Lumens per watt	84
L70 rating (hours to 70% output)	50,000 hours

Color

Colors used	Fixed white
Color temperature options	2700 K, 3000 K, 3500 K, 4000 K, 5000 K
Fade to warm	Optional on 2700 K and 3000 K

Optical

Beam angle range	19 / 24 / 37 / 60
CRI	>90
TM-30-18 data	Refer to ArcSystem photometry guide
Photometry data	See below or refer to ArcSystem photometry guide

Control

Input method	DMX-512 via RJ45/etherCON connector
Protocols	DMX, ArcMesh wireless, RDM (option)
Modes (footprint)	1-channel / 4-channel
RDM configuration	Yes (with RDM option)
UI type	PC config app for ArcMesh option
Local control	No
Notes	ArcMesh wireless control requires optional TX1 transmitter

Electrical

Voltage range	100–240 VAC IEC or 100–277 VAC hard-wired
Input method	Standard luminaire options: Option 1: IEC Connector (supplied with three-conductor 18AWG bare-ends to 185 cm (72 in) IEC power cord) Option 2: wiring compartment with one half-inch knock-outs for field wiring Emergency luminaire: Wiring compartment with two half-inch knock-outs for field wiring
Inrush	65 A at 120 V (at 25 C)
Wattage (max / standby)	100 W / <3 W
Current draw	0.84 A at 120 V

Thermal

Ambient operating temp	0°–40° C (32°–104° F)
Fan (controllable)	N/A (convection cooled)
BTUs/hour	341

Physical

Materials	Die-cast aluminum and cold-rolled steel
Color options	Black, white or custom color
Mounting options	Yoke
IP rating	IP-20 (dry locations only)
Weight (adj / fixed / yoke)	6.17 kg (13.60 lb)

Warranty

Full fixture	5 years
LED array	10 years

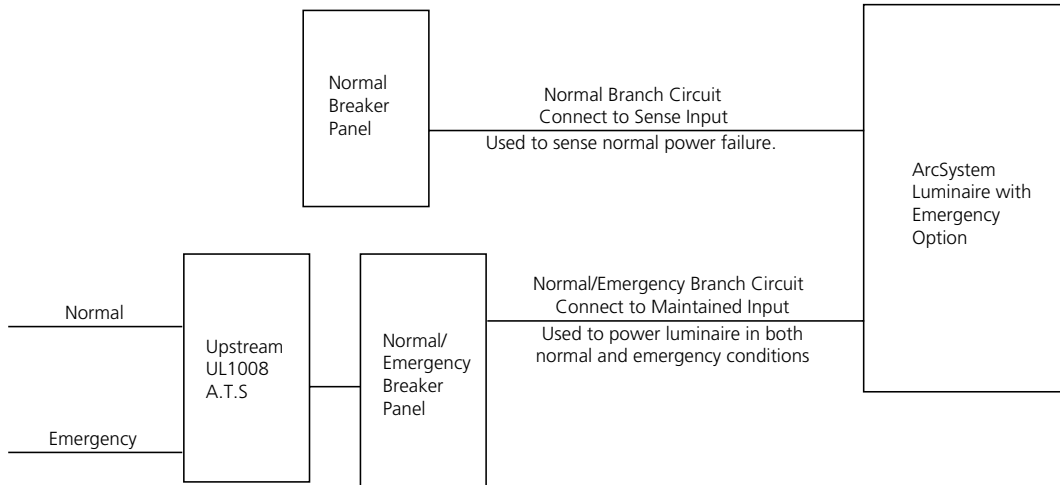
Regulatory and Compliance

Approved regulatory standards	Standard version: cETLus Listed Conforms to ANSI/UL STD. 1598 Certified to CSA STD. C22.2 No: 250 CE Compliant Emergency version: cETLus Listed Conforms to ANSI/UL STD.924 Certified to CSA STD. C22.2 No: 141 CE Compliant
-------------------------------	---

EMERGENCY CONNECTION

A dual-input emergency version of this luminaire is available. Emergency luminaires require two line-voltage inputs that perform the following functions:

- Normal power/emergency power
- Normal power sense input



The sense input is used to detect whether normal utility power has been lost. This will force the luminaire on at 100% intensity running from the maintained supply. There is no control of the luminaire via wireless- or wired-DMX until normal utility power is restored to the sense input.

PHOTOMETRY

Lumen table

COLOR TEMP	BEAM ANGLE	FIELD ANGLE	FIELD LUMENS	BEAM LUMENS	MAX CANDELA
3000 K	19°	51.9°	5,414	2,356	56,160
3000 K	24°	60.0°	6,302	3,116	36,250
3000 K	37°	65.6°	7,085	3,622	17,890
3000 K	60°	84.2°	7,334	4,115	9,880

IES light files are available on request for all beam angles of ArcSystem.

Full photometry and color information for the ArcSystem family is available in the [ArcSystem Photometry and Color Info Guide](#).

PHYSICAL

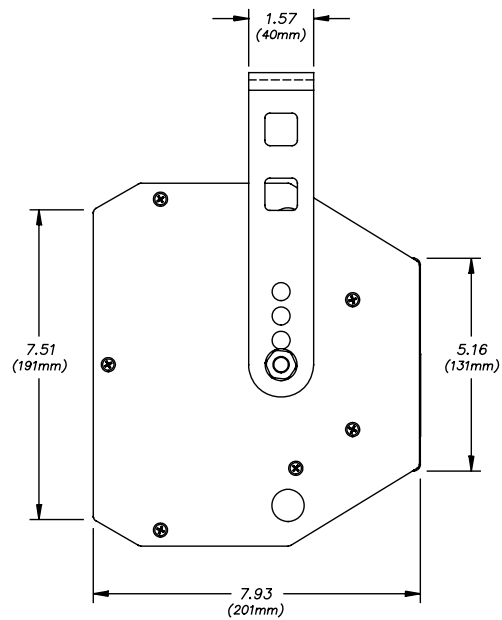
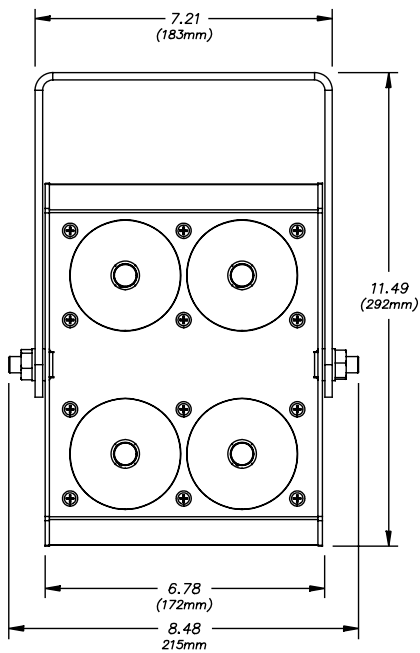
Pro Four-Cell Square Dimensions

MODEL	HEIGHT		WIDTH		DEPTH	
	in	mm	in	mm	in	mm
Pro Four-Cell Square	11.49	292	8.48	215	7.93	201
Pro Four-Cell Square Emergency	11.49	292	8.48	215	7.93	201

Pro Four-Cell Square Weights

MODEL	WEIGHT*		SHIPPING WEIGHT	
	lb	kg	lb	kg
Pro Four-Cell Square	13.6	6.17	15.9	7.21
Pro Four-Cell Square Emergency	14.4	6.53	16.7	5.57

*Does not include mounting hardware



Corporate Headquarters • Middleton, WI USA

Global Offices • London, UK • Rome, IT • Holzkirchen, DE • Paris, FR • Hong Kong • Singapore • New York, NY • Orlando, FL • Burbank, CA

Copyright©2019 ETC. All Rights Reserved. All product information and specifications subject to change. Rev F 07/19

Trademark and patent info: etconnect.com/IP

etconnect.com