



Date
Project
Fixture
Date

Comments

GENERAL INFORMATION

The compact, Pro Four-Cell Round is ideal for use in medium- to long-throw, pendant style applications. The luminaire is supplied with half-inch and M10 captive nut plates for connecting threaded rod, providing multiple hanging options. Manufactured from high-grade, powder-coated aluminum and steel, the luminaire is entirely convection cooled for silent operation.

The Pro Four-Cell Round includes an onboard power supply and connects directly to a 100-240V mains supply. Intensity control is achieved either with a direct, wired-DMX connection to the luminaire’s RJ45/etherCON connectors, or wirelessly using the separate ArcMesh TX1 Transmitter.

ArcSystem has been specifically developed for auditorium lighting applications where high-quality, extremely accurate and smooth dimming is required. The use of onboard device management in the driver allows all luminaires to be addressed remotely, ensuring fast and simple installation.

GENERAL INFORMATION

APPLICATIONS

- Auditoriums
- Work lights
- Lobbies
- Houses of worship
- Museums
- Studios

FEATURES

- Wired DMX or wireless (ArcMesh) control protocols
- Stepless, smooth dimming to absolute zero
- Convection cooled
- Fan-free, silent operation
- Various color options
- Available as a dual-input emergency version

ORDERING INFORMATION

ArcSystem Pro Four-Cell Round

MODEL	CONTROL	FADE-TO-WARM	COLOR TEMP	BEAM ANGLE	FIXTURE COLOR	MOUNTING
ARCP4R - Standard	BLANK - DMX/ArcMesh	BLANK - Standard F - Fade To Warm	2 - 2700k 3 - 3000k 35 - 3500k 4 - 4000k 5 - 5000k	19 - 19° 24 - 24° 37 - 37° 60 - 60°	W - White B - Black C - Custom	H - Fixed hanging point (1/2" or M10 thread)
ARCPE4R - Emergency	RDM - DMX/RDM	(only available with 2700K and 3000K options)				

To complete the form, simply select an option at the bottom of each column to populate the last row with your desired part number.

Color Options: Fixtures ship standard in black or white. For additional colors please contact ETC.



PRODUCT SPECIFICATIONS (PRO FOUR-CELL ROUND)

Source

LED details	Bridgelux Vero 13 (standard) Vesta 15 (FTW)
Max field lumens	8,445 (5000 K 37°)
Max total lumens	9,152 (5000 K 37°)
Lumens per watt	91
L70 rating (hours to 70% output)	50,000 hours

Color

Colors used	Fixed white
Color temperature options	2700 K / 3000 K / 3500 K / 4000 K / 5000 K
Fade to warm	Optional on 2700 K and 3000 K

Optical

Beam angle range	19 / 24 / 37 / 60
CRI	>90
TM-30-18 Data	Refer to ArcSystem photometry guide
Photometry Data	See below or refer to ArcSystem photometry guide

Control

Input method	DMX-512 via RJ45/etherCON connector
Protocols	DMX, ArcMesh wireless, RDM (option)
Modes (footprint)	1-channel / 4-channel
RDM configuration	Yes (with RDM option)
UI type	PC config app for ArcMesh option
Local control	No
Notes	ArcMesh wireless control requires optional TX1 transmitter

Electrical

Voltage range	Standard: 100-240 VAC Emergency: 100-125 VAC
Input method	IEC Connector (supplied with three-conductor 18AWG bare-ends to 185cm (72in) IEC power cord) Emergency luminaire supplied with two, hard-wired, three-conductor, 18AWG 185cm (72in) NEMA 5-15 15 A 125 V Plug
Wattage (max / standby)	100 W / <3 W
Current draw	0.84A at 120 VAC
Power Factor	>0.9

Thermal

Ambient operating temp	0-40° C (32-104° F)
Fan (controllable)	N/A (convection cooled)
BTUs/hour	341

Physical

Materials	Die-cast aluminum and cold-rolled steel
Color options	Black, white or custom color
Mounting options	Half-inch threaded captive nut
IP rating	IP-20 (dry locations only)
Weight	5.22 KG (11.5 lb)
Included accessories	Power cord

Warranty

Full fixture	5 years
LED array	10 years

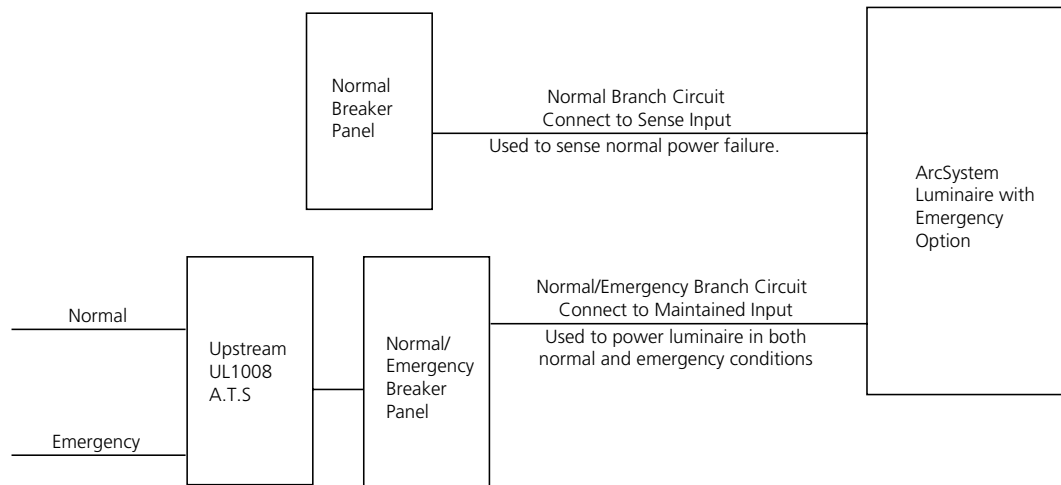
Regulatory and Compliance

Approved regulatory standards	Standard version cETLus Listed Conforms to ANSI/UL STD.1598 Certified to CSA STD. C22.2 No: 250 CE Compliant Emergency version cETLus Listed Conforms to ANSI/UL STD.924 Certified to CSA STD. C22.2 No: 141 CE Compliant
-------------------------------	--

EMERGENCY CONNECTION

A dual-input emergency version of this luminaire is available. Emergency luminaires require two line-voltage inputs that perform the following functions:

- Normal power/emergency power
- Normal power sense input



The sense input is used to detect whether normal utility power has been lost. This will force the luminaire on at 100% intensity running from the maintained supply. There is no control of the luminaire via wireless- or wired-DMX until normal utility power is restored to the sense input.

PHOTOMETRY

Lumen table

COLOR TEMP	BEAM ANGLE	FIELD ANGLE	FIELD LUMENS	BEAM LUMENS	MAX CANDELA
3000K	19°	51.9°	5,414	2,356	56,160
3000K	24°	60.0°	6,302	3,116	32,710
3000K	37°	65.6°	7,085	3,622	17,890
3000K	60°	84.2°	7,334	4,115	9,880

IES light files are available on request for all beam angles of ArcSystem.

Full photometry and color information for the ArcSystem family is available in the [ArcSystem Photometry and Color Info Guide](#).

PHYSICAL

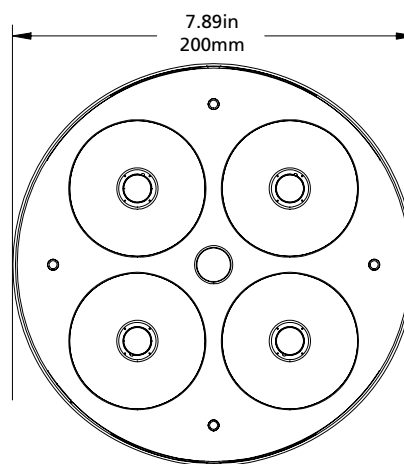
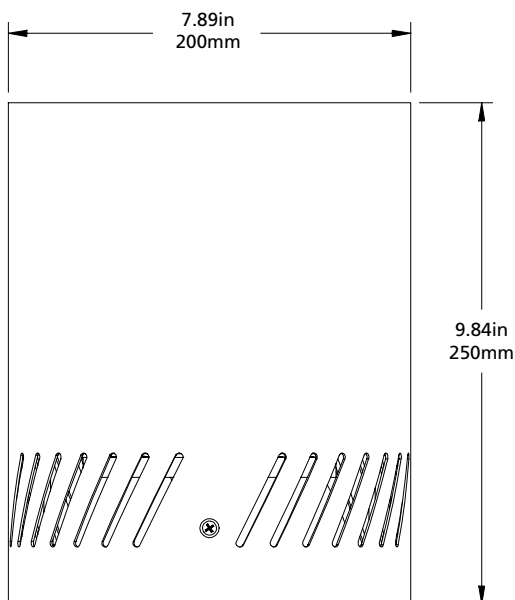
Pro Four-Cell Round Dimensions

MODEL	HEIGHT		WIDTH		DEPTH	
	in	mm	in	mm	in	mm
Pro Four-Cell Round	9.84	250	7.89	200	7.89	200

Pro Four-Cell Round Weights

MODEL	WEIGHT*		SHIPPING WEIGHT	
	lb	kg	lb	kg
Pro- Four-Cell Round	12.5	5.67	14.3	6.49

*Does not include mounting hardware



Corporate Headquarters • Middleton, WI USA

Global Offices • London, UK • Rome, IT • Holzkirchen, DE • Paris, FR • Hong Kong • Singapore • New York, NY • Orlando, FL • Los Angeles, CA

Copyright©2019 ETC. All Rights Reserved. All product information and specifications subject to change. Rev H 07/19

Trademark and patent info: etconnect.com/IP

etconnect.com