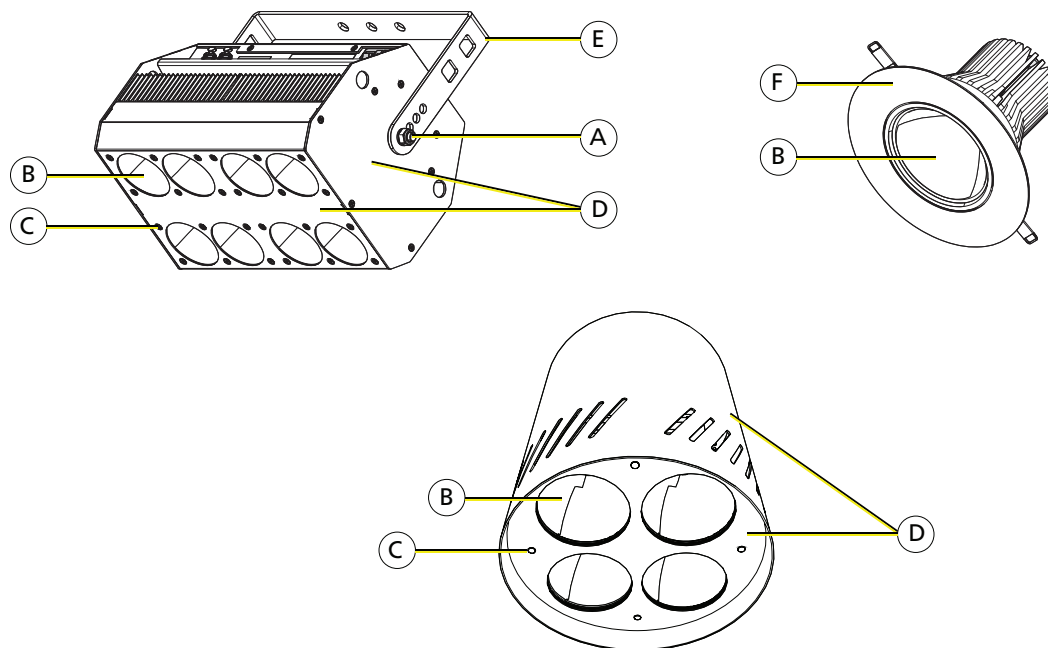


# ETC Reference Guide

## ArcSystem Custom Paint

ArcSystem luminaires are available in white or black. Custom paint colors are available by request. Some parts of the luminaires are only available in limited colors. See the table below.



	Description	White	Black	Silver	Custom
	antennas (wireless-enabled models) and antenna plugs (RDM models)	✓	✓		
	product labels	✓	✓		
A	yoke-mount nuts and screws			✓	
B	reflectors			✓	
C	multi-cell fixture front face Phillips screws		✓	✓	
D	multi-cell front panel and body	✓	✓		✓
E	yoke	✓	✓		✓
F	one-cell front face	✓	✓		✓

If your installation requires a custom color, there are two categories of custom paint options:

1. ETC stocked custom paint colors, shown below. Lead times may be comparable to standard orders.
2. Custom paint using non-stocked colors, for example to match a certain RAL color number. Lead times will be longer.

See the second page for ETC stocked custom paint colors.






# ETC Reference Guide

## Custom Paint



**Note:** *The colors below represent stocked ETC custom paint colors. The colors are approximate, and may appear inaccurate due to browser, display, and/or printer settings.*

*ETC part numbers are provided for information only and are not intended to suggest a particular Pantone reference. RAL and Pantone equivalents are listed under "Description" when available.*

	ETC Part Number	Description
	PT102	Black BTex
	PT103	3C Gray
	PT105	5C Warm Gray
	PT114	Black Solar
	PT112	Textured Red
	PT123	White Wild Rice
	PT129	Off White Hybrid
	PT129	Off White Hybrid
	PT130	Ivory Hybrid
	PT131	Gray Hybrid
	PT137-1	Cream
	PT1004-1	Intrigue White
	PT1014	Silver
	PT1019	Saffron Yellow (RAL 1017, Pantone 1365 C)