



QUICK START GUIDE

ALTMAN

L I G H T I N G



HYDRA SERIES - AIP-200
IP65 LED LUMINAIRE
QUICK START MANUAL



HYDRA_SERIES_AIP-200_QUICKSTART_MANUAL_20220607

Preface

The document provides basic information on installation and operational instructions for a qualified, trained installer. These instructions provide information for the following product:

AIP-200-RGBL-B

Additional product information can be found on our web site at www.altmanlighting.com or by scanning the QR code to the right.



Have a question regarding this guide?

The material in this manual is for information purposes only and is subject to change without notice. Altman Lighting assumes no responsibility for any errors or omissions which may appear in this manual. For comments and suggestions regarding corrections and/or updates to this manual, please visit the Altman Lighting web site at www.altmanlighting.com or contact your nearest [Altman Lighting Regional Manager](#).

El contenido de este manual es solamente para información y está sujeto a cambios sin previo aviso. Altman Lighting no asume responsabilidad por errores o omisiones que puedan aparecer. Cualquier comentario, sugerencia o corrección con respecto a este manual, favor de dirijirlo a la oficina de Altman Lighting más cercana.

Der Inhalt dieses Handbuchs ist nur für Informationszwecke gedacht, Aenderungen sind vorbehalten. Altman Lighting uebernimmt keine Verantwortung für Fehler oder Irrtuemer, die in diesem Handbuch auftreten. FürBemerkungen und Verbesserungsvorschlaege oder Vorschlaege in Bezug auf Korrekturen und/oder Aktualisierungen in diesem Handbuch, moechten wir Sie bitten, Kontakt mit der naechsten Altman Lighting Niederlassung aufzunehmen.

Should you have a suggestion or question regarding your Altman Lighting product, we would love to hear from you.

You can reach us at:

Altman Lighting
1400 East 66th Ave.
Denver, CO. 80229
+1 (303) 500-7072
www.altmanlighting.com
customerservice@altmanlighting.com
support@altmanlighting.com
sales@altmanlighting.com

Note: Information contained in this document may not be duplicated in full or in part by any person without prior written approval of Altman Lighting. Its sole purpose is to provide the user with conceptual information on the equipment mentioned. The use of this document for all other purposes is specifically prohibited.

Our Commitment

Altman Lighting continually engages in research related to product improvement. New materials, production methods and design refinements are introduced into existing products without notice as a routine expression of the philosophy. For this reason any current Altman Lighting product may differ in some respect from its published description, but will always equal or exceed the original design specifications unless otherwise noted.

Document Number: **49-0405**
Version as of: **2022 June 07**

AIP-200 Quick Start Guide
©2021 Altman Lighting. All rights reserved.

Important Information

Product Safety Notices

When using electrical equipment, basic safety precautions should always be followed including the following:



1. READ AND FOLLOW ALL SAFETY INSTRUCTIONS.
2. Do not use outdoors unless the product is specified to operate in outdoor environments.
3. Do not mount near gas or electric heaters.
4. Equipment should be mounted in locations and at heights where it will not readily be subjected to tampering by unauthorized personnel.
5. The use of accessory equipment not recommended by the manufacturer may cause an unsafe condition.
6. Do not use this equipment for other than intended use.
7. Refer service to qualified personnel.

SAVE THESE INSTRUCTIONS.

Warnings



WARNING: You must have access to a main circuit breaker or other power disconnect device before installing any wiring. Be sure that power is disconnected by removing fuses or turning the main circuit breaker off before installation. Installing the device with power on may expose you to dangerous voltages and damage the device. A qualified electrician must perform this installation.

WARNING: Refer to National Electrical Code® and local codes for cable specifications. Failure to use proper cable can result in damage to equipment or danger to personnel.

WARNING: This equipment is intended for installation in accordance with the National Electric Code® and local regulations. Before any electrical work is performed, disconnect power at the circuit breaker or remove the fuse to avoid shock or damage to the control. It is recommended that a qualified electrician perform this installation.

WARNING: This Lighting Fixture is NOT for residential installation or use.

WARNING: The structure where fixture(s) is to be mounted must be capable of supporting the weight of the fixture and its accessories. This fixture is for temporary, portable mounting only.

WARNING: The light source contained in this luminaire shall only be replaced by the manufacturer or his service agent or a similar qualified person.

THIS PRODUCT MUST BE INSTALLED IN ACCORDANCE WITH THE APPLICABLE INSTALLATION CODE BY A PERSON FAMILIAR WITH THE CONSTRUCTION AND OPERATION OF THE PRODUCT AND THE HAZARDS INVOLVED.

CE PRODUIT DOIT ÊTRE INSTALLÉ SELON LE CODE D'INSTALLATION PERTINENT, PAR UNE PERSONNE.

**CONSULT A QUALIFIED ELECTRICIAN TO ENSURE CORRECT BRANCH CIRCUIT CONDUCTOR.
CONSULTER UN ÉLECTRICIEN QUALIFIÉ POUR VOUS ASSURER QUE LES CONDUCTEURS DE LA
DÉRIVATION SONT ADÉQUATS.**

FCC Notice

This equipment has been tested and found to comply with the limits for a Class A digital device, pursuant to part 15 of the FCC Rules. These limits are designed to provide reasonable protection against harmful interference when the equipment is operated in a commercial environment. This equipment generates, uses, and can radiate radio frequency energy and, if not installed and used in accordance with the instruction manual, may cause harmful interference to radio communications.

Operation of this equipment in a residential area is likely to cause harmful interference in which case the user will be required to correct the interference at his own expense.

Altman Lighting Product Warranty

Warranty Terms

Altman Lighting, Inc., a subsidiary of Altman Stage Lighting Company, Inc., herein referred to as Altman, warrants each new product (except for spare parts or products Altman does not manufacture) for a period of FIVE (5) years and ONE (1) day from date of shipment to correct by repair or replacement any part defect due to faulty material or workmanship.

Altman warrants for NINETY (90) days any spare part it manufactures. On spare parts or products Altman does not manufacture, including, but not limited to, lamps, sockets, lenses, roundels, electronics, ignitors, ballasts, etc.; Altman will grant the same warranty given Altman by its vendors. Altman assumes no responsibility for damage or faulty performance caused by misuse, improper installation, careless handling or where repairs have been attempted by others. This warranty is in lieu of all warranties or guarantees expressed or implied and no representative or person is authorized to assume Altman any other liability with the sale of Altman's products.

Altman assumes no responsibility for damage or faulty performance caused by misuse, improper installation, careless handling or where repairs have been attempted by others.

This warranty is in lieu of all warranties or guarantees expressed or implied and no representative or person is authorized to assume Altman any other liability with the sale of Altman's products.

Warranty Service

The customer must receive a Return Material Authorization (RMA) number prior to return. Return shipment must be visibly marked with the RMA number and the product must be returned to the factory at:

1400 East. 66th Avenue
Denver, CO 80229 USA
+1-303-500-7072
support@altmanlighting.com

The return must be within FORTY FIVE (45) days of receiving the RMA from Altman.

Installation & Set Up

Overview

The AIP-200 is a compact 200 Watt RGBL IP65 rated & convection cooled zoom par. The unit can be mounted via a C-clamp (sold separately) or used on the ground using the fixture's kickstand yoke

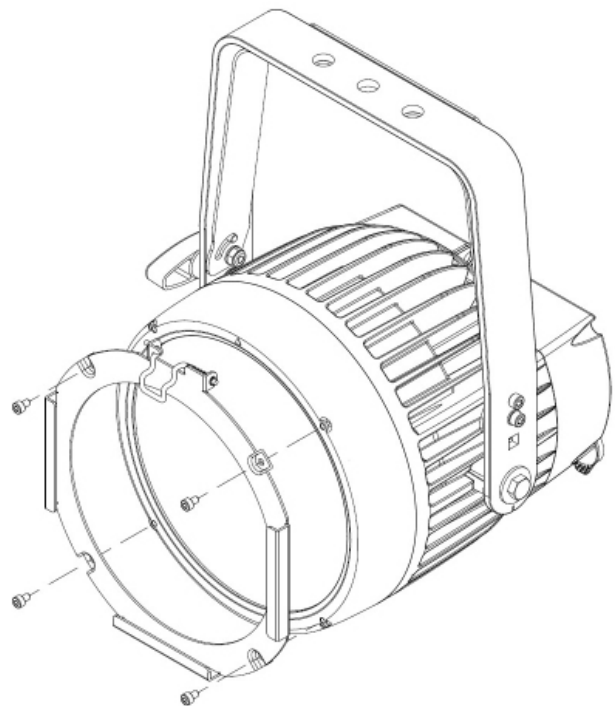
Accessory Holder

Installation of the Accessory Holder can be done with simple hand tools.

The Accessory Holder kit includes the following:

Part #: AIP200-FF

- Accessory ring
- QTY 4: M4 x 8mm screws



NOTE: AIP-200 is rated to IP65 only when used with suitably rated cables and connectors. When used outside or in wet environments, ensure that power and data connections are rated and designed to mate with the supplied AIP-200 cabling.



NOTE: A safety cable (not supplied with unit, sold separately) should be used and may be required by local and/or national codes when hanging this luminaire.

Power Requirements



Before performing any field wiring, refer to and read the warnings contained in “Important Information” on page 3.



WARNING! AIP-200 should be connected to a constant circuit or a relay device. It should never be connected to a dimmer or circuit controlled by a dimmer.



WARNING! The maximum allowable input current is 16 Amps. Do not overload circuits! Luminaires must be supplied by a branch circuit protected by a maximum 16 Amp circuit protector. Doit être alimenté par un circuit de dérivation protégé par un maximum de 16 ampères circuit protecteur. Ne surchargez pas les circuits!



WARNING! When using the daisy-chain connection method, only connect your AIP-200 RGLB Par LED Luminaire to AC Output Connection of other AIP-200 RGLB Par LED Luminaires. **DO NOT CONNECT OTHER TYPES OF LUMINAIRES OR DEVICES!** The maximum allowable of number of AIP-200 RGLB Par LED Luminaires that can be daisy-chained on one power feed should not exceed the first fixture’s 16 Amp power rating.

Connecting Power

Units are powered via an AC input cable (sold separately) from 100 to 240VAC, 50/60Hz and draw approximately 200 Watts of power. The table below outlines the wire colors and their purpose.

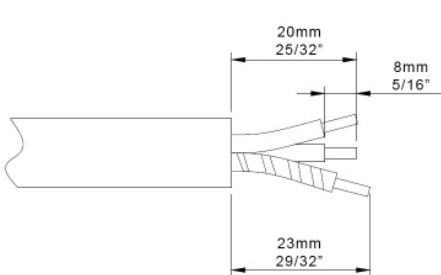
NOTE: The AIP-200 is an IP65 rated Par that offers IP65 rated connections at the luminaire, Accessories offered for this product include male end wire plugging terminations of Edison (5-15P), Twist-Lock (GTL), and Pin (2P&G) plugs. These connector types are not IP-65 rated and will require protection from ingress when used in wet locations.

| WIRE COLOR | PURPOSE |
|-----------------------|----------------|
| Brown or Black | Main / (L)ine |
| Blue or White | (N)eutral |
| Green/Yellow or Green | Ground / Earth |

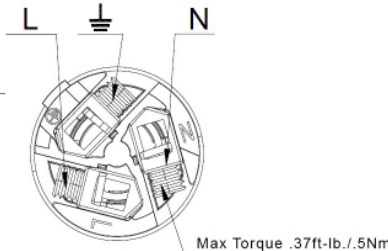


The AIP-200 Luminaire must be connected to and properly grounded to an viable earth ground.

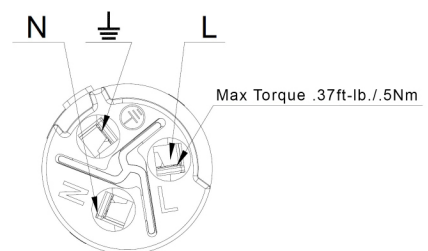
AIP-200 utilizes Seetronic PowerKon 16 amp IP65 rated connectors.



Recommended stripping lengths



Male Connector



Female Connector


Connector Wiring

Daisy-Chaining Units

When daisy-chaining units, do not exceed the number of units as shown in the table below. Also, please make sure to read and understood the warnings contained in this section of the manual (“Power Connection Warnings”.)



| VOLTAGE | Max Qty. / Circuit |
|---------|--------------------|
| 120VAC | 8 |
| 230VAC | 15 |

 Please ensure that all water tight caps for power and data are installed when not in use. If no output or through connections are being utilized please make sure that these caps are in place.

Connecting DMX

The AIP-200 Luminaire offers two DMX512 connections. One for DMX Input (from a DMX source) and one DMX throughput (out). Basic DMX512 installation consists of connecting multiple DMX controlled AIP-200 Luminaire together (up to 32 Total devices per DMX string) in “daisy-chain” fashion. A cable runs from the DMX512 control source to the DMX INPUT connection on the first luminaire. From the DMX OUTPUT of the luminaire another cable runs to the DMX IN connector on the next luminaire (or DMX512 device to be controlled).

 At the end of each DMX Daisy chain, it is highly recommended that a DMX TERMINATOR (Altman Lighting part number DMX-5-TERM) is installed on the last luminaire (or device) in the chain.

For more information on installing DMX512 control systems, the following publication is available for purchase from the United States Institute for Theatre Technology (USITT), “Recommended Practice for DMX512: A Guide for Users and Installers, 2nd edition” (ISBN: 9780955703522).

USITT Contact Information: www.usitt.org

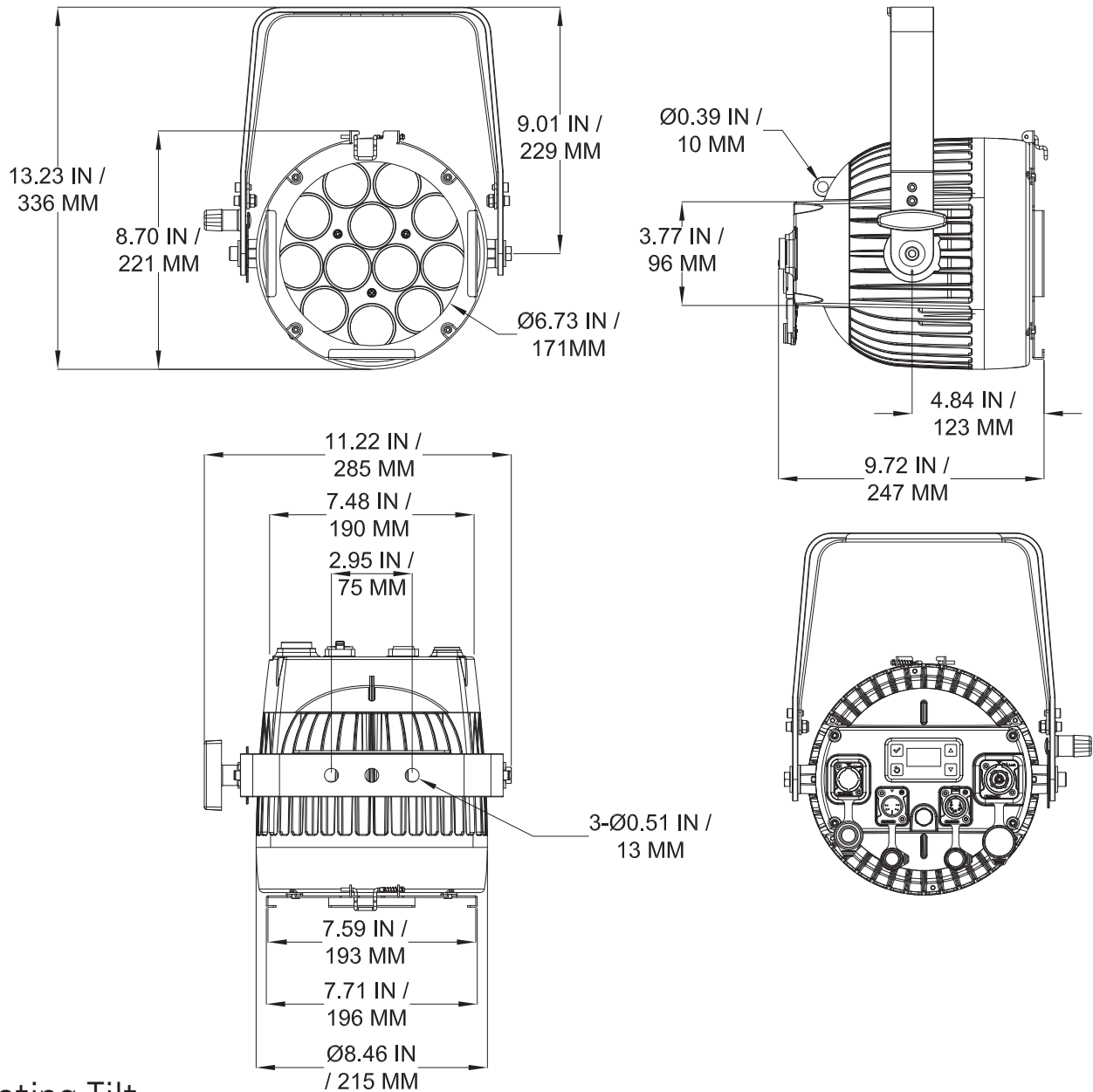
DMX - XLR Connectors

The table to the right shows the pin-out and corresponding DMX signals for a 5-pin XLR connector.

| | |
|----------------|-------|
| Common (Drain) | Pin 1 |
| DMX - | Pin 2 |
| DMX + | Pin 3 |
| Not Used | Pin 4 |
| Not Used | Pin 5 |

Mounting

The AIP-200 is simple to install and position where work lighting is needed. When mounting the AIP-200 Light, you must follow all national and local codes for safe installation and use. Unit weight, without accessories is 13.44 pounds / 6.1 kilograms.



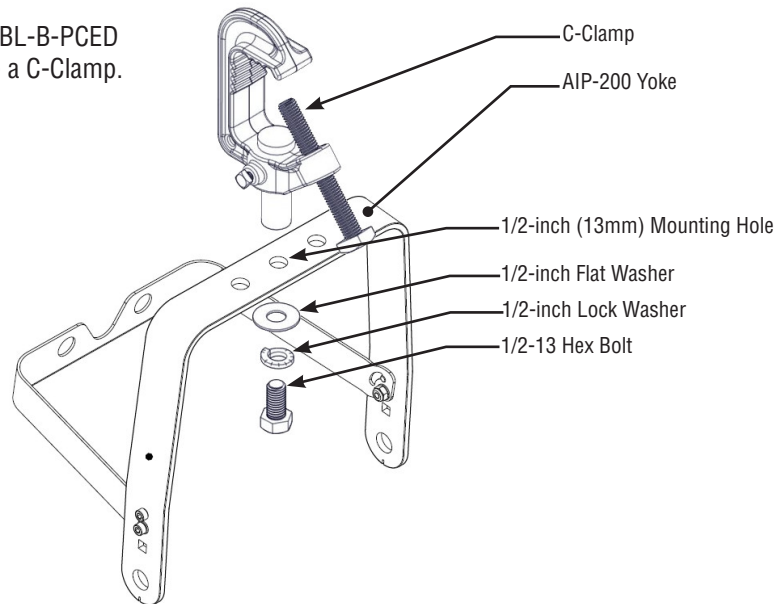
Adjusting Tilt

The AIP-200 can have its tilt adjusted via the lock off handles on the side of the luminaire. Simple loosen (but **DO NOT REMOVE**) the handle so the unit is able to swing up and down. Set tilt as desired and re-tighten the two lock off handle so the unit does not move from the set position.

Installing C-Clamp

If you are planning on using a c-clamp to mount the unit, should be installed as shown. Only use the hardware supplied with the c-clamp.

NOTE: The AIP-200-RGBL-B, AIP-200-RGBL-B-PCED and AP-200-RGBL-B-PCBE do not include a C-Clamp. This must be ordered separately.



To Install the C-clamp:

1. With luminaire on a flat, steady surface, position yoke assembly for easy access as illustrated above.
2. Place on 1/2-13 hex bolt, in this order, the 1/2-inch lock washer and then the 1/2-inch flat washer.
3. Insert bolt into hole on yoke assembly.
4. Position c-clamp over bolt and thread bolt into c-clamp.
5. Tighten bolt.

Installing Safety Cable

The safety cable should be installed in accordance to local and national codes.



NOTE: The safety cable should be used and may be required by local and/or national codes when hanging this luminaire. The mounting structure must be capable of supporting the weight of the fixture, lens, cabling, any accessories, etc.

NOTE: The AIP-200-RGBL-B, AIP-200-RGBL-B-PCED and AP-200-RGBL-B-PCBE do not include a C-Clamp. This must be ordered separately.

Safety Cable Anchor Point



Menu System



IMPORTANT! This section provides basic information regarding the AIP-200 Par Luminaire's menu system. For detailed information on the menu system and settings, please visit the AIP-200 Par User Manual on the Altman Lighting web site at www.altmanlighting.com or scan the QR code on the first page of these instructions.

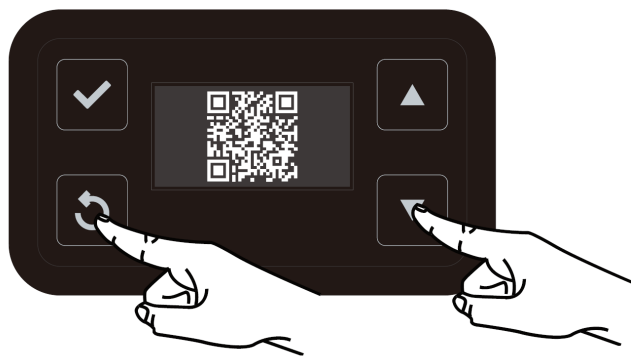
The AIP-200 Par LED Luminaire has an on-board menu system that allow users to set up the luminaire for standalone operation, control via DMX, or control a variety of luminaire features.



The unit has a LCD display that users can use to see and set various parameters for luminaire operation. This section will review how to access these settings.

The menu system Home Screen can be accessed at anytime the luminaire is powered. Simply press the Back / Escape button.

When the luminaire is powered, a QR Code embedded in the software can be displayed (as shown in Figure 5) when pressing the BACK and DOWN arrow buttons simultaneously for 5 seconds.



This QR Code can be used to access the AIP-200 RGBL Par LED Luminaire product web page using a smart phone (the smart phone must have a QR Code reader application, by others). On the product web page, you will find the latest available information (this manual, product specification sheet, etc.). Pressing the ESC button will exit this screen.

Setting DMX address from the Home Screen

Step 1 - Navigate to **DMX Adr.** in the menu.
Step 2 - Press Enter.



Step 3 - Press up or down buttons until the required address is reached.
Step 4 - Press Enter.



Note the number of slots that the luminaire is using in order to avoid a DMX address overrun or DMX overlap with other luminaires in the chain. Refer to DMX Modes

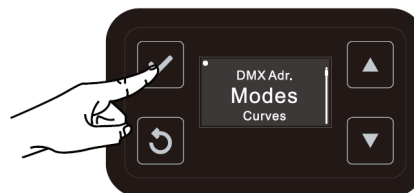
DMX Modes

The AIP-200 Par is capable of operating in 8 DMX modes or personalities. The Modes menu allows users to select which DMX map the luminaire will operate.

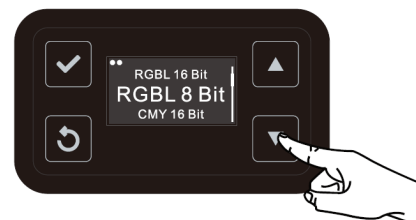
The DMX mapping options are:

- RGBL 16-bit (15 Channels)
- RGBL 8-bit (10 Channels)
- CMY 16-bit (13 Channels)
- CMY 8-bit (9 Channels)
- HSIC (10 Channels)
- RGB (5 Channels)
- Compact Mode (6 Channels)
- Compact Zoom Mode (7 Channels)

Step 1 - Navigate to **MODES** in the menu.
Step 2 - Press Enter.



Step 1 - Press up or down buttons until the required mode is reached.
Step 2 - Press Enter.



Troubleshooting

Troubleshooting Guide

The chart below provides possible causes and remedies for various error messages and/or symptoms. If this chart is unable to address your issue, please contact your authorized dealer or Altman customer service for assistance.



Any service and maintenance (including troubleshooting), other than described herein should be performed by an Authorized Altman Lighting Dealer or Service Center.

| DESCRIPTION | ISSUE | POSSIBLE CAUSE/REMEDY |
|---|---|--|
| No light output | Fixture will not produce or output light and connected to power. Display is active. | Manual Mode....menu is set at 0% intensity... DMX Mode....console is set at 0% intensity... Set intensity level above 0% or adjust to a higher intensity. One of the user defined colors may be active but nothing is recorded |
| Low light output | Fixture produces low light output and connected to power. | Check unit for calibration on or off at menu... Operating temperature is at upper range of temperature range. If the power limit settings are set. |
| No power at luminaire | Luminaire does not power up. | Circuit not energized...verify circuit breaker is turned on. Not plugged in...ensure A/C cable is connected to power source. Power cable wired incorrectly...verify power cable and connector are wired correctly. See "Connecting Power" on page 5 for more information. |
| No DMX Data Control | Fixture will not respond to DMX commands. | Not detecting DMX data Unit is not set to proper DMX address - check settings. See "Setting DMX Address from the Home Screen" on page 9 for more information. Unit is not set to DMX mode. See "DMX Menu" on page 12 AIP-200 User Manual for more information. Disconnect and reconnect DMX input cable. Check all DMX connections (at control source and luminaire). DMX data cable not wired correctly or has a broken conductor... check DMX data cable for proper wiring. See "Connecting to the DMX512 Network" on page 7 for more information. |
| Fixtures not matching color | Fixture are given the same DMX command, but colors do not match. | Turn on color calibration. Note, units will not match if some are set to calibration on and some to calibration off. See "Calibration (Color Calibration)" on page 21 of the AIP-200 User Manual for more information. |
| Fixtures are dimming at different rates | Fixture are given the same DMX command, but dimming rates are different. | Make sure all units are set to the same dimming curve. See "Dimming Curves" on page 13 of the AIP-200 User Manual for more information. Make sure all units have the same tungsten simulation setting |

Cleaning & Care



WARNING! All cleaning should be performed with power completely removed from the luminaire. Never remove protective covers when luminaire is powered. Wear appropriate protective eye wear and gloves when cleaning the fixture. All service and maintenance, other than described herein, should be performed by a qualified technician or Authorized Service Center. AT NO TIME SHOULD THE LEDs BE TOUCHED.

Cleaning Instructions

Being a solid-state fixture IP65 luminaire, the AIP-200 requires very little routine maintenance by the user. The luminaire requires special care to be taken with the plastic components because they are much easier to scratch or damage than glass.

The AIP-200 requires special care when it comes to cleaning front lens assembly. Additional care needs to be taken with the plastic components because they are much easier to scratch or damage than glass.

The following is a list of cleaning materials required to care for the AIP-200:

- Lint free lens tissue
- Lint or powder free gloves
- A mild soap solution.



WARNING! Under no circumstances should ammonia-based cleaners, acetone, or other harsh solvents be used on or near the Back-Lit Panel. These types of cleaners or solvents can permanently damage the optics or housings of the fixture.

Cleaning the Front Lens

- Step 1. Turn off luminaire and allow to cool completely.
- Step 2. Apply a small amount of mild soap solution to lint-free lens tissue.
- Step 3. Wipe all debris, dirt, fingerprints, etc. From the lens.
- Step 4. Using a second lint-free lens tissue, wipe off any residue.

Service and Maintenance

For all other service and maintenance issues, please contact your local Altman Lighting office or an Authorized Service Center.



WARNING! Disassembly, alterations, unauthorized service, etc. will void the product warranty. Contact your local Altman Lighting office or an Authorized Service Center for technical support and service
